



PRODIGY CABINETRY

2723C White Horse Road • Greenville, SC 29611
info@prodigycabinetry.com • 864-558-9538 • www.prodigycabinetry.com

SPEC CATALOG

April 2024

Main Index

1 - 22	Information	Cabinet Box construction; Price Column Table; Door Styles & Grain Direction Details; Standard Modifications
23 - 48	Wall Cabinets	Wall Cabinet Standards; Wall Cabinet List Price Tables
49 - 61	Base Cabinets	Base Cabinet Standards; Base Cabinet List Price Tables
62 - 71	Vanity Cabinets	Vanity Cabinet Standards; Vanity Cabinet List Price Tables
72 - 91	Tall Cabinets	Tall Cabinet Standards; Tall Cabinet List Price Tables
92 - 97	Special Cabinets	Special Cabinet Standards; Special Cabinet List Price Tables
98 - 119	Accessories	Standards; Panels; Overlay Doors; Veneers; J Panels; Box Columns; Fillers & Overlays; Loose Toe Base; Moldings; Shelves; ROTs & Drawers; Hardware; Organizers
120 - 129	Policies	Order Process; Shipping Process; Receiving Process; Warranty
130 - 131	Forms	Standard Order Form; Custom Cabinet Request Form; Sales Samples Order Form

© Copyright 2024 by Prodigy Cabinetry. All Rights Reserved.

A. Cabinet Construction

- 3/4" low-emission birch plywood is used for all structural cabinet components, including the fully-captured back and the shelf/shelves.
- All cabinets are joined using either a wooden dowel-and-glue construction method, or with screws, minifix, or biscuit joins where the dowel method is impractical. Unfinished end panels may have exposed fasteners where needed for strength or stability.
- Finished panels have either PBC (Particleboard Core) or MDF (Medium Density Fiberboard) Core.
- For cabinets with finished interiors, all center stiles and blind panels will be finished in the order color.

B. Edgeband

- All cabinetry features matching or coordinated PVC Edgebanding.

C. Shelves

- Shelves are 3/4" thick and match the cabinet interior on top and bottom surfaces and front edgebanded edge.
- Shelf holes are bored in the cabinet walls at 32 millimeter vertical increments.
- Shelves are supported by metal pins.
- Shelves are full-depth.

D. Toe Kick

- Base, Vanity and Tall cabinets include a 3-3/8" deep by 4 1/2" high integrated toe kick space with a nailer.
- Toe kick nailer is made from the box material and will need to be covered by a finished piece of toe kick - purchased separately.
- Corner base cabinets use the leveler system to allow easier conveyance through doorways.

E. Door & Drawer Fronts

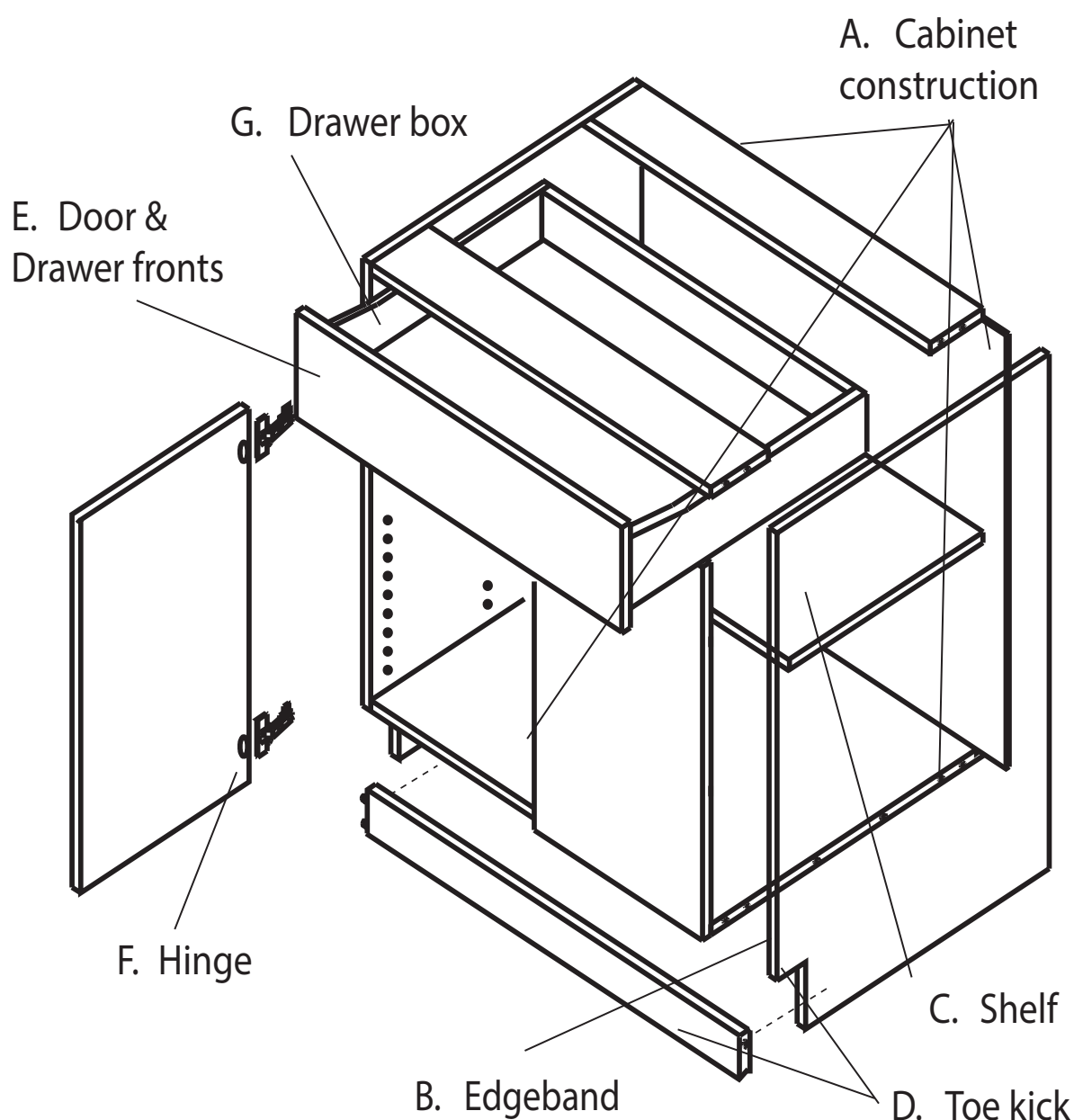
- All cabinet fronts are constructed using engineered core materials and/or wood, depending on whether the finish is laminate, paint or stain.

F. Hinges

- 110 degree, fully-concealed, integrated, soft-closing, 6-way adjustable, clip-demountable

G. Drawer Box

- Dovetailed 5/8" solid wood drawer boxes with 1/4" plywood bottoms are standard.
- Full-extension, soft-close 75lb undermount slides are standard on all drawer boxes.
- 4 1/8" height (Drawer fronts less than 8 3/4"); 6 1/4" height (Drawer front is 8 3/4" to 11 11/16"); 8 1/4" (Drawer front is over 11 11/16" unless otherwise specified)
- Standard Drawer box depth is 21" deep drawer for base cabinets and 18" deep for vanity cabinets. Increasing cabinet depth beyond 24" does not increase drawer depth.
- Minimum cabinet depth to include drawer guides is 12".



A. Cabinet Construction

- 3/4" low-emission birch plywood is used for all structural cabinet components, including the fully-captured back and the shelf/shelves.
- All cabinets are joined using either a wooden dowel-and-glue construction method, or with screws, minifix, or biscuit joins where the dowel method is impractical. Unfinished end panels may have exposed fasteners where needed for strength or stability.
- Finished panels have either PBC (Particleboard Core) or MDF (Medium Density Fiberboard) Core.
- For cabinets with finished interiors, all center stiles and blind panels will be finished in the order color.

B. Edgeband

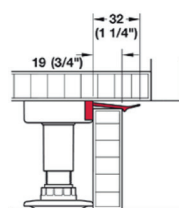
- All cabinetry features matching or coordinated PVC Edgebanding.

C. Shelves

- Shelves are 3/4" thick and match the cabinet interior on top and bottom surfaces and front edgebanded edge.
- Shelf holes are bored in the cabinet walls at 32 millimeter vertical increments.
- Shelves are supported by metal pins.
- Shelves are full-depth.

D. Toe Kick

- Base, Vanity and Tall cabinets include 4 Hafele Axilo ABS leg assemblies, to be mounted and adjusted on site using pre-drilled holes for press fitting.



- Toe kick clips are included.
- Adjustment Tool is not included - must be ordered - see ACCESSORIES, page

E. Door & Drawer Fronts

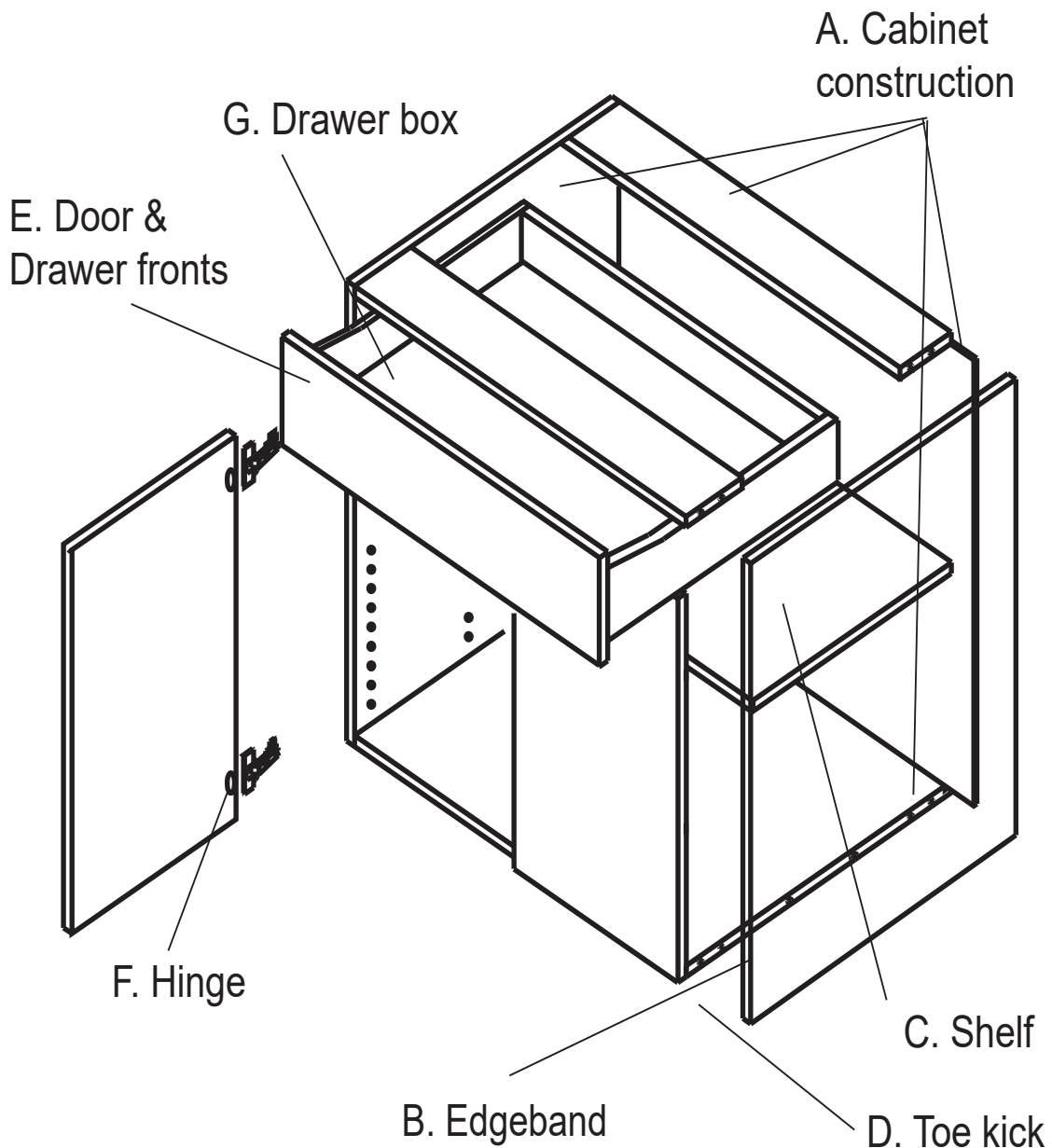
- All cabinet fronts are constructed using engineered core materials and/or wood, depending on whether the finish is laminate, paint or stain.

F. Hinges

- 110 degree, fully-concealed, integrated, soft-closing, 6-way adjustable, clip-demountable

G. Drawer Box

- Dovetailed 5/8" solid wood drawer boxes with 1/4" plywood bottoms are standard.
- Full-extension 75lb undermount soft-close slides are standard on all drawer boxes.
- 4 1/8" height (Drawer fronts less than 8 3/4"); 6 1/4" height (Drawer front is 8 3/4" to 11 11/16"); 8 1/4" (Drawer front is over 11 11/16" unless otherwise specified)
- Maximum Drawer box depth is 21" deep drawer for base cabinets and 18" deep for vanity cabinets. Increasing cabinet depth beyond 24" does not increase drawer depth.
- Minimum cabinet depth to include drawer guides is 12".



A. Cabinet Construction

- 3/4" Engineered Wood materials with White laminate (Natural Maple laminate is optional) are used for all structural cabinet components and the shelves. The back panel is 1/4" papered MDF with 3/4" stretchers behind.
- All cabinets are joined using either a wooden dowel-and-glue construction method, or with screws, minifix, or biscuit joins where the dowel method is impractical. Unfinished end panels may have exposed fasteners where needed for strength or stability.
- Finished panels have either PBC (Particleboard Core) or MDF (Medium Density Fiberboard) Core.
- For cabinets with finished interiors, all center stiles and blind panels will be finished in the order color.

B. Edgeband

- All cabinetry features matching or coordinated PVC Edgebanding.

C. Shelves

- Shelves are 3/4" thick and match the cabinet interior on top and bottom surfaces and front edgebanded edge.
- Shelf holes are bored in the cabinet walls at 32 millimeter vertical increments.
- Shelves are supported by metal pins.
- Shelves are full-depth.

D. Toe Kick

- Base, Vanity and Tall cabinets include a 3-3/8" deep by 4 1/2" high integrated toe kick space with a nailer.
- Toe kick nailer is made from the box material and will need to be covered by a finished piece of toe kick - purchased separately.
- Corner base cabinets use the leveler system to allow easier conveyance through doorways.

E. Door & Drawer Fronts

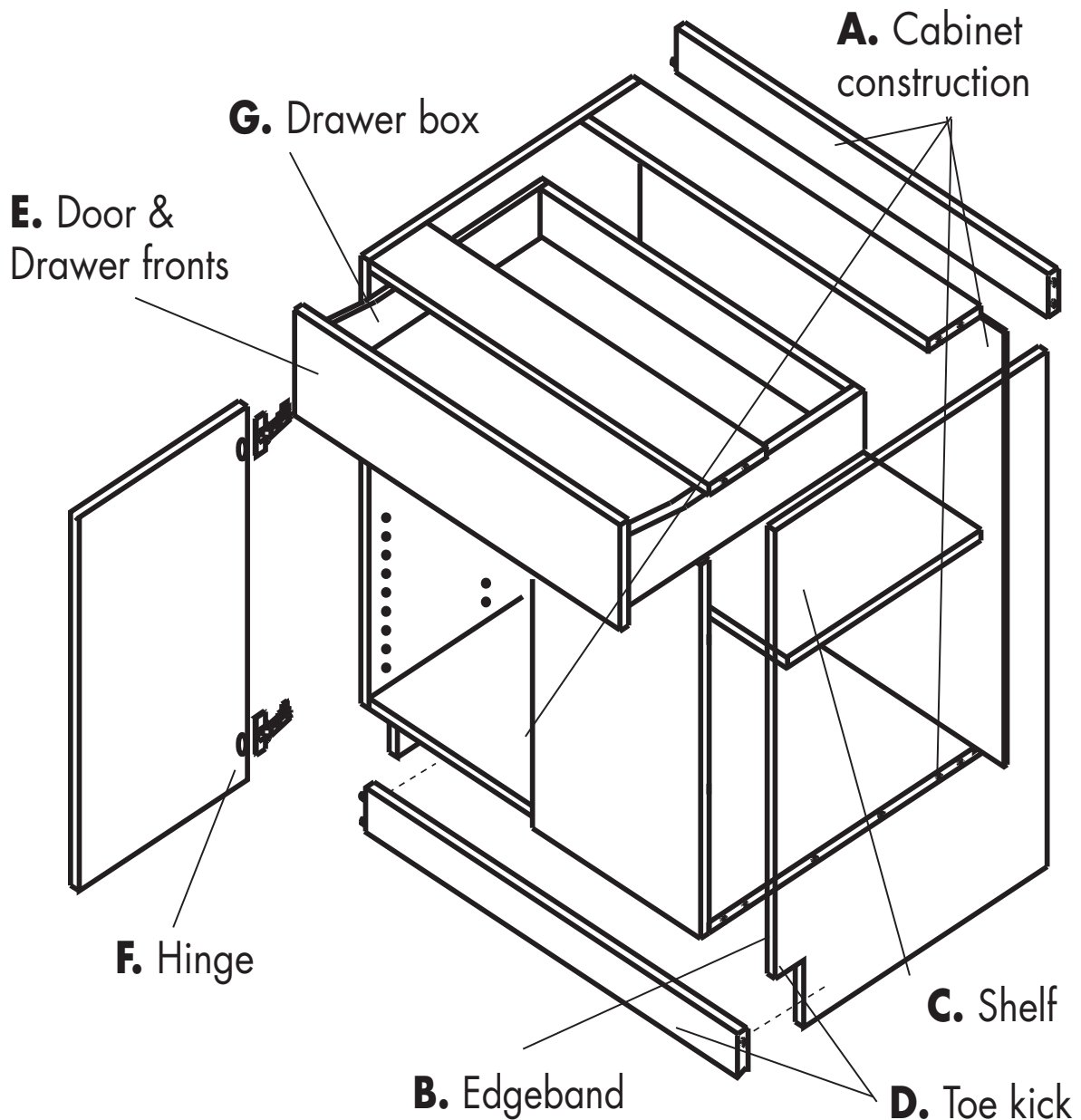
- All cabinet fronts are constructed using engineered core materials and/or wood, depending on whether the finish is laminate, paint or stain.

F. Hinges

- 110 degree, fully-concealed, integrated, soft-closing, 6-way adjustable, clip-demountable

G. Drawer Box

- Dovetailed 5/8" solid wood drawer boxes with 1/4" plywood bottoms are standard.
- Full-extension 75lb undermount soft-close slides are standard on all drawer boxes.
- 4 1/8" height (Drawer fronts less than 8 3/4"); 6 1/4" height (Drawer front is 8 3/4" to 11 11/16"); 8 1/4" (Drawer front is over 11 11/16" unless otherwise specified)
- Maximum Drawer box depth is 21" deep drawer for base cabinets and 18" deep for vanity cabinets. Increasing cabinet depth beyond 24" does not increase drawer depth.
- Minimum cabinet depth to include drawer guides is 12".



A. Cabinet Construction

- Constructed entirely of 3/4" Taupe Melamine-Coated Plywood including fronts. Back is a 1/4" captured panel in front of 3/4" stretchers for a 1" thick back.
- All panels are joined using either a wooden dowel-and-glue construction method, with screws, minifix, or biscuit joints where this method is impractical. Unfinished end panels may have exposed fasteners where needed for strength or stability. Specify finished sides to ensure no visible screws - no upcharge.
- Euro Economy Cabinetry has a Melamine-Coated Plywood Core.
- No finish changes allowed. Use Prism, PRO, Classic, or Signature lines for other finishes.

B. Edgeband

- Taupe PVC edgeband.

C. Shelves

- 3/4" Taupe Melamine-Coated Plywood
- Shelf holes are bored in the cabinet walls at 32 or 64 millimeter increments..
- Shelves are supported by 5 millimeter metal pins.
- Shelves are full-depth.

D. Toe Kick

- Base, Vanity and Tall cabinets include a 3-3/8" deep by 4 1/2" high integrated toe kick space with a nailer.
- Toe kick nailer is made from the box material and will need to be covered by a finished piece of toe kick - purchased separately.
- Corner base cabinets use the leveler system to allow easier conveyance through doorways.

E. Door & Drawer Fronts

- Constructed entirely of 3/4" White Melamine Engineered Wood with matching PVC edgeband.

F. Hinges

- 110 degree, fully-concealed, integrated, soft-closing, 6-way adjustable, clip-demountable

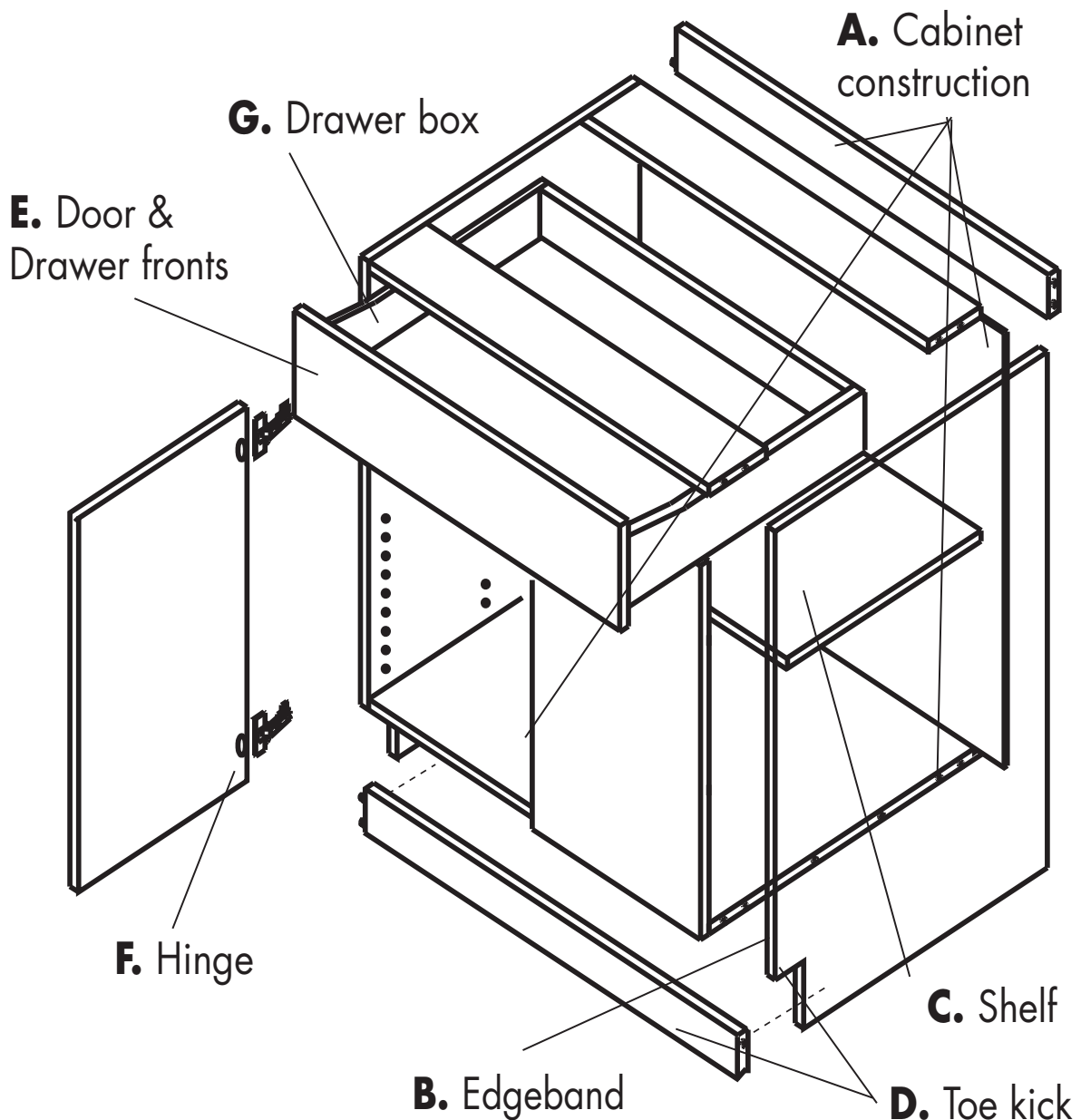
G. Drawer Box

- Dovetailed 5/8" solid wood drawer boxes with 1/4" plywood bottoms are standard.
- Full-extension 75lb undermount soft-close slides are standard on all drawer boxes.

- 4 1/8" height (Drawer fronts less than 8 3/4"); 6 1/4" height (Drawer front is 8 3/4" to 11 11/16"); 8 1/4" (Drawer front is over 11 11/16" unless otherwise specified)
- Maximum Drawer box depth is 21" deep drawer for base cabinets and 18" deep for vanity cabinets. Increasing cabinet depth beyond 24" does not increase drawer depth.
- Minimum cabinet depth to include drawer guides is 12".

H. Modifications

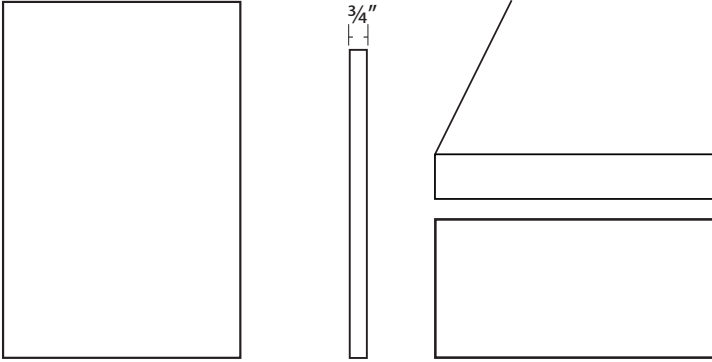
- Specify finished sides to ensure no visible screws - no upcharge



See Color Brochure for depictions of finishes

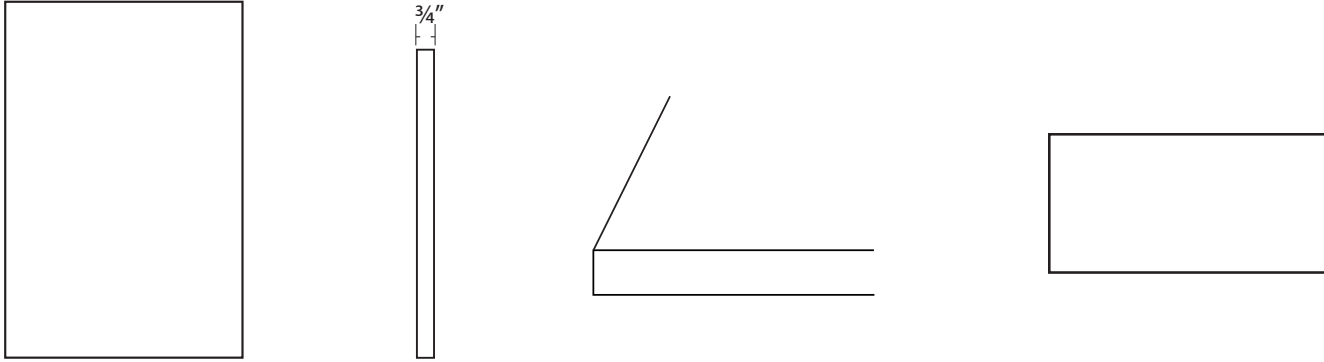
		PRICE COLUMNS			Finish	
		Euro Economy	PRO-Series	Classic or Signature		
Category	Laminate Finish Color	Slab	Slab	Slab	2-Sided	Grained
Luxe (Alvic)	Agua Marina	B	C	D	No	No
	Antracita	B	C	D	No	No
	Azul Indigo	B	C	D	No	No
	Azul Marino	B	C	D	No	No
	Basalto	B	C	D	No	No
	Black	B	C	D	No	No
	Blanco	B	C	D	No	No
	Cashmere	B	C	D	No	No
	Cotto	B	C	D	No	No
	Guyana	B	C	D	No	No
	Magnolia	B	C	D	No	No
	Verde Salvia	B	C	D	No	No
Zenit (Alvic)		B	C	D	No	No
	Antracita	B	C	D	No	No
	Azul Indigo	B	C	D	No	No
	Azul Marino	B	C	D	No	No
	Basalto	B	C	D	No	No
	Black	B	C	D	No	No
	Blanco	B	C	D	No	No
	Cashmere	B	C	D	No	No
	Cotto	B	C	D	No	No
	Gris Nube	B	C	D	No	No
	Magnolia	B	C	D	No	No
	Verde Salvia	B	C	D	No	No
Synchron (Alvic)	Ice Cream 01	A	B	C	Yes	Yes
	Ice Cream 02	A	B	C	Yes	Yes
	Ice Cream 03	A	B	C	Yes	Yes
	Ice Cream 04	A	B	C	Yes	Yes
	Ida 01	A	B	C	Yes	Yes
	Ida 02	A	B	C	Yes	Yes
	Ida 03	A	B	C	Yes	Yes
	Ida 04	A	B	C	Yes	Yes
	Lakeland Oak	A	B	C	Yes	Yes
	Nocce 03	A	B	C	Yes	Yes
	Olmo 01	A	B	C	Yes	Yes
	Olmo 03	A	B	C	Yes	Yes
	Roble Muratti 01	A	B	C	Yes	Yes
	Roble Muratti 04	A	B	C	Yes	Yes
Egger	Auburn Carini Walnut	A	B	C	Yes	Yes
	Carbon Frozen Wood	A	B	C	Yes	Yes
	Medium Grey Finition	A	B	C	Yes	Yes
	Dark Grey Finition	A	B	C	Yes	Yes
	Vincenza Oak	A	B	C	Yes	Yes
	Additional Fandek Colors	A	B	C	Yes	Yes
Prism	Black	A	B	C	Yes	No
	Folkstone	A	B	C	Yes	No
	Mysterious	A	B	C	Yes	No
	White Velvet	A	B	C	Yes	No
Category	Paint Finish Color	Slab	Slab	Slab	2-Sided	Grained
Paint	Prodigy Arctic White	--	F	H	Yes	No
	Prodigy Cadet Grey	--	F	H	Yes	No
	Prodigy Ebony	--	F	H	Yes	No
	Prodigy Fern Green	--	F	H	Yes	No
	Prodigy Frosty White	--	F	H	Yes	No
	Prodigy Gunsmoke	--	F	H	Yes	No
	Prodigy Hearthstone Grey	--	F	H	Yes	No
	Prodigy Marina	--	F	H	Yes	No
	Prodigy Metropolitan	--	F	H	Yes	No
	Prodigy Regent Blue	--	F	H	Yes	No

SLAB



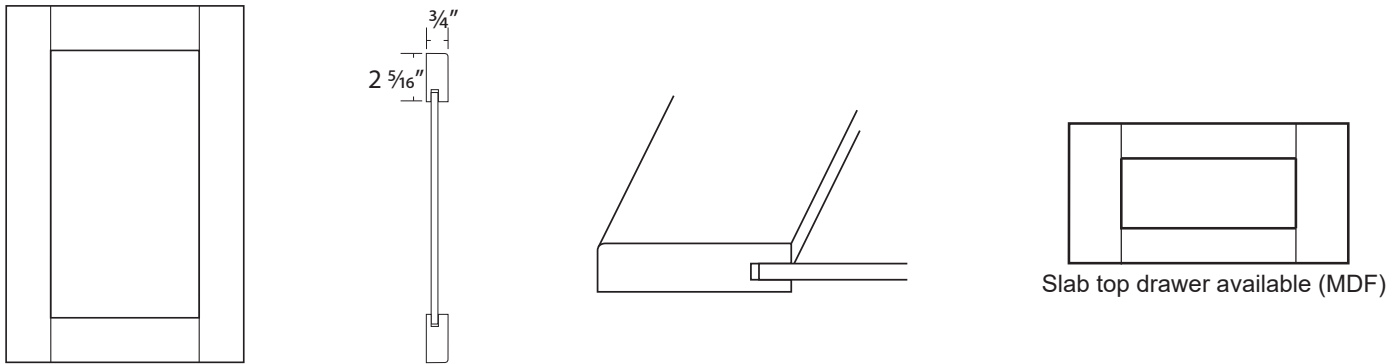
Door Construction	Slab, MDF or PBC core
Door Thickness	3/4"
Edge Profile	Matching Banding
Stile Width	NA
Sycron\Egger\Prism on Classic\Signature Cabinet Pricing	Column C
Luxe\Zenit on Classic\Signature Cabinet Pricing	Column D
Sycron\Egger\Prism on PRO-Series Cabinet Pricing	Column B
Luxe\Zenit on PRO-Series Cabinet Pricing	Column C
Minimum Size Slab	4" x 4"
Maximum Size for Warranty	24" x 59 7/8"

SLAB (MDF)



Door Construction	Solid MDF
Door Thickness	3/4"
Edge Profile	L034
Stile Width	NA
Classic\Signature Pricing	Column H
PRO-Series Pricing	Column F
Minimum Size	4 1/4" x 1 1/4" or 1 1/4" x 4 1/4"
Maximum Size	48" x 96"

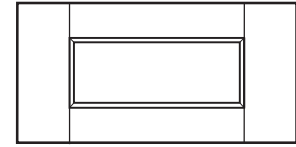
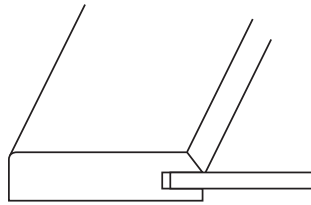
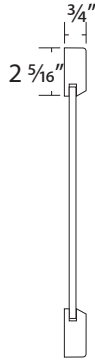
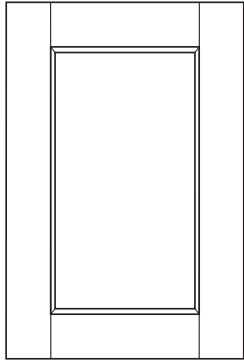
SHAKER (TW-10 Square bead)



Door Construction	Wood Frame \ MDF Center
Door Thickness	3/4"
Edge Profiles	Outside L034 \ Inside Square
Stile\Rail Width Door	2 5/16"
Drawer Rail Width	1 1/2"
Classic\Signature Pricing	Column I
PRO-Series Pricing	Column G
Minimum Size Shaker Door	7x10\10x7 or 10x5\5x10
Minimum Size Shaker Drawer	7" x 3 3/8"
Maximum Size	48" x 95 1/2"

Doors over 26" wide or 48" high will incur extra charges for additional panels or will not be covered under warranty

SHAKER BEVELED (TW-10 F-1223 bead)

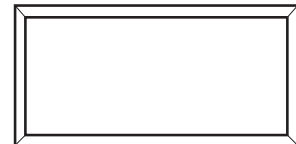
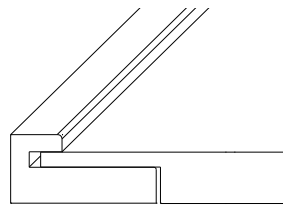
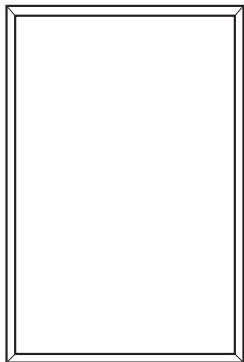


Slab top drawer available (MDF)

Door Construction	Wood Frame \ MDF Center
Door Thickness	3/4"
Edge Profiles	Outside L034 \ Inside F-1223
Stile\Rail Width Door	2 5/16"
Drawer Rail Width	1 1/2"
Classic\Signature Pricing	Column I
PRO-Series Pricing	Column G
Minimum Size Shaker Door	7x10\10x7 or 10x5\5x10
Minimum Size Shaker Drawer	7" x 3 3/8"
Maximum Size	48" x 95 1/2"

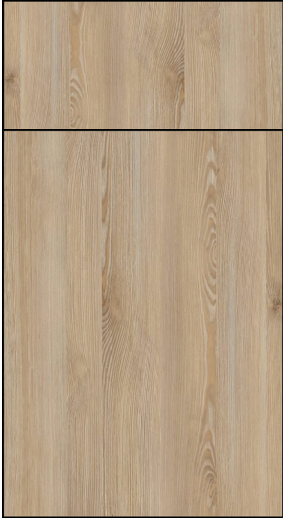
Doors over 26" wide or 48" high will incur extra charges for additional panels or will not be covered under warranty

COSMOPOLITAN



Door Construction	Wood Moulding \ Ply Center
Door Thickness	3/4"
Edge Profile	Square
Stile\Rail Width Door	3/4"
Drawer Rail Width	3/4"
Classic\Signature Pricing	Column I
PRO-Series Pricing	Column G
Minimum Size Door	6" x 9" or 9" x 6"
Minimum Size Drawer	7 5/8" x 4 5/8"
Maximum Size	48" x 95 1/2"

Vertical
Slab Door and Drawer



Vertical
Slab Drawers



Vertical Slab Door Order Defaults:

The face is configured with all the grain in the vertical direction. Grain will not align between fronts in the vertical or horizontal direction. Some grain patterns will show more pronounced differences. This is part of the grain design and not something effected by our processes.

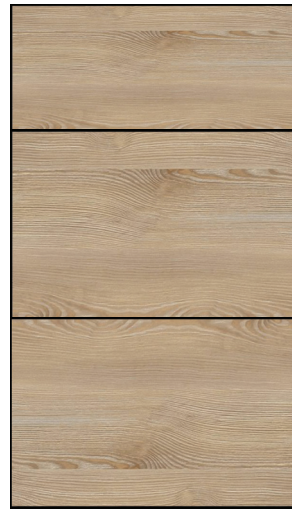
Grain rotation of individual doors or drawers is not available.

Variance from these standards is not available; however, products in other grain directions may be purchased separately and installed on the job site.

Horizontal
Slab Door and Drawer



Horizontal
Slab Drawers



Horizontal Slab Door Order Defaults:

Due to size limitations, some products are not available with Horizontal grain. These will always have vertical grain despite the specified grain direction on the order. These include all cabinets and panels over 48" tall. Where these items are necessary, accent colors may be preferred.

The face is configured with all the grain in the horizontal direction. Grain will not align between fronts in the vertical or horizontal direction. Some grain patterns will show more pronounced differences. This is part of the grain design and not something effected by our processes.

Grain rotation of individual doors or drawers is not available.

Variance from these standards is not available; however, products in other grain directions may be purchased separately and installed on the job site.

FINISHED ENDS

• **It is always recommended to end a run with an Applied Panel rather than an Integrated Finished End.**

- Materials have matching colors on both sides. The finish (matte, textured, supermatt, or gloss) may vary, except for Synchron materials, which match both color and finish on both sides. For other materials, finished interior and exterior sides cannot both be achieved. **All Finished Panels have a PBC or MDF core.**
- Interiors of the finished sides will match the exterior color, not the standard box interior color.
- Indicate which side(s) are to be finished: **(L[eft], R[ight])**. Price is per side.
- There is no additional cost for finished ends for the PrismBox, but it is essential to specify the finished ends due to screw construction used for assembly.
- Refer to the color chart to determine the availability of one-sided or two-sided finishes.
- If finished side(s) are chosen for Classic cabinets, Axilo corner mounting plates will replace the standard Axilo plates for the finished side(s).
- Exterior integrated finished backs are not available and require a separate panel to be applied on-site. Applied Finished End Panels may be ordered separately - see ACCESSORIES section for details.

FINISHED TOPS/BOTTOMS

- Materials have matching colors on both sides. The finish (matte, textured, supermatt, or gloss) may vary, except for Synchron materials, which match both color and finish on both sides. For other materials, finished interior and exterior sides cannot both be achieved. **All Finished Panels have a PBC or MDF core.**
- Interiors of the finished tops/bottoms will match the exterior color, not the standard box interior color.
- Indicate which parts are to be finished: **T[op], B[ottom]**. Price is per top/bottom.
- Tops/bottoms for the PrismBox are prefinished.
- Refer to the color chart to determine the availability of one-sided or two-sided finishes.
- Exterior integrated finished backs are not available and require a separate panel to be applied on-site. Applied Finished Panels may be ordered separately - see ACCESSORIES section for details.

FINISHED INTERIORS

- Materials have matching colors on both sides. The finish (matte, textured, supermatt, or gloss) may vary, except for Synchron materials, which match both color and finish on both sides. For other materials, finished interior and exterior sides cannot both be achieved. **Materials have a PBC or MDF core - NOT plywood.**
- Finished Interior cabinets will have screws on the outside for construction. For finished ends, apply a finished End Panel. Applied Finished Panels may be ordered separately - see ACCESSORIES section for details.
- Interiors for the PrismBox are prefinished.
- Refer to the color chart to determine the availability of one-sided or two-sided finishes.
- Exterior integrated finished backs are not available and require a separate panel to be applied on-site. See the ACCESSORIES section for details.

Integrated Finished Ends		Econ	Prism, Alvic, Egger					Painted			
13" Deep		A	B	C	D	E	F	G	H	I	
12H Finished Wall End	FSWE12	33	33	33	44	44	44	44	44	44	
15H Finished Wall End	FSWE15	41	41	41	55	55	55	55	55	55	
18H Finished Wall End	FSWE18	49	49	49	66	66	66	66	66	66	
21H Finished Wall End	FSWE21	58	58	58	77	77	77	77	77	77	
24H Finished Wall End	FSWE24	66	66	66	88	88	88	88	88	88	
27H Finished Wall End	FSWE27	74	74	74	99	99	99	99	99	99	
30H Finished Wall End	FSWE30	82	82	82	110	110	110	110	110	110	
33H Finished Wall End	FSWE33	90	90	90	121	121	121	121	121	121	
36H Finished Wall End	FSWE36	99	99	99	132	132	132	132	132	132	
39H Finished Wall End	FSWE39	107	107	107	142	142	142	142	142	142	
42H Finished Wall End	FSWE42	115	115	115	153	153	153	153	153	153	
48H Finished Wall End	FSWE48	132	132	132	175	175	175	175	175	175	
54H Finished Wall End	FSWE54	148	148	148	197	197	197	197	197	197	
60H Finished Wall End	FSWE60	164	164	164	219	219	219	219	219	219	
21" Deep		A	B	C	D	E	F	G	H	I	
Finished Vanity End	FSVE	115	115	115	153	153	153	153	153	153	
Finished Vanity Floating End	FSVFE	99	99	99	132	132	132	132	132	132	
24" Deep		A	B	C	D	E	F	G	H	I	
12H Finished Wall End	FSWE1224	66	66	66	88	88	88	88	88	88	
15H Finished Wall End	FSWE1524	82	82	82	110	110	110	110	110	110	
18H Finished Wall End	FSWE1824	99	99	99	132	132	132	132	132	132	
21H Finished Wall End	FSWE2124	115	115	115	153	153	153	153	153	153	
24H Finished Wall End	FSWE2424	132	132	132	175	175	175	175	175	175	
27H Finished Wall End	FSWE2724	148	148	148	197	197	197	197	197	197	
30H Finished Wall End	FSWE3024	164	164	164	219	219	219	219	219	219	
33H Finished Wall End	FSWE3324	181	181	181	241	241	241	241	241	241	
36H Finished Wall End	FSWE3624	197	197	197	263	263	263	263	263	263	
39H Finished Wall End	FSWE3924	214	214	214	285	285	285	285	285	285	
42H Finished Wall End	FSWE4224	230	230	230	307	307	307	307	307	307	
48H Finished Wall End	FSWE4824	263	263	263	351	351	351	351	351	351	
54H Finished Wall End	FSWE5424	296	296	296	395	395	395	395	395	395	
60H Finished Wall End	FSWE6024	329	329	329	438	438	438	438	438	438	
Finished Base End	FSBE	181	181	181	241	241	241	241	241	241	
84H Tall Finished End	FSTE84	460	460	460	614	614	614	614	614	614	
87H Tall Finished End	FSTE87	477	477	477	636	636	636	636	636	636	
90H Tall Finished End	FSTE90	493	493	493	658	658	658	658	658	658	
93H Tall Finished End	FSTE93	510	510	510	679	679	679	679	679	679	
96H Tall Finished End	FSTE96	526	526	526	701	701	701	701	701	701	

Integrated Finished Top/Bot		Econ	Prism, Alvic, Egger					Painted			
13" Deep		A	B	C	D	E	F	G	H	I	
9W Finished Wall Top/Bottom	FTBW9	25	25	25	33	33	33	33	33	33	
12W Finished Wall Top/Bottom	FTBW12	33	33	33	44	44	44	44	44	44	
15W Finished Wall Top/Bottom	FTBW15	41	41	41	55	55	55	55	55	55	
18W Finished Wall Top/Bottom	FTBW18	49	49	49	66	66	66	66	66	66	
21W Finished Wall Top/Bottom	FTBW21	58	58	58	77	77	77	77	77	77	
24W Finished Wall Top/Bottom	FTBW24	66	66	66	88	88	88	88	88	88	
27W Finished Wall Top/Bottom	FTBW27	74	74	74	99	99	99	99	99	99	
30W Finished Wall Top/Bottom	FTBW30	82	82	82	110	110	110	110	110	110	
33W Finished Wall Top/Bottom	FTBW33	90	90	90	121	121	121	121	121	121	
36W Finished Wall Top/Bottom	FTBW36	99	99	99	132	132	132	132	132	132	
39W Finished Wall Top/Bottom	FTBW39	107	107	107	142	142	142	142	142	142	
42W Finished Wall Top/Bottom	FTBW42	115	115	115	153	153	153	153	153	153	
48W Finished Wall Top/Bottom	FTBW48	132	132	132	175	175	175	175	175	175	
24" Deep		A	B	C	D	E	F	G	H	I	
9W Finished Wall Top/Bottom	FTBW924	49	49	49	66	66	66	66	66	66	
12W Finished Wall Top/Bottom	FTBW1224	66	66	66	88	88	88	88	88	88	
15W Finished Wall Top/Bottom	FTBW1524	82	82	82	110	110	110	110	110	110	
18W Finished Wall Top/Bottom	FTBW1824	99	99	99	132	132	132	132	132	132	
21W Finished Wall Top/Bottom	FTBW2124	115	115	115	153	153	153	153	153	153	
24W Finished Wall Top/Bottom	FTBW2424	132	132	132	175	175	175	175	175	175	
27W Finished Wall Top/Bottom	FTBW2724	148	148	148	197	197	197	197	197	197	
30W Finished Wall Top/Bottom	FTBW3024	164	164	164	219	219	219	219	219	219	
33W Finished Wall Top/Bottom	FTBW3324	181	181	181	241	241	241	241	241	241	
36W Finished Wall Top/Bottom	FTBW3624	197	197	197	263	263	263	263	263	263	
39W Finished Wall Top/Bottom	FTBW3924	214	214	214	285	285	285	285	285	285	
42W Finished Wall Top/Bottom	FTBW4224	230	230	230	307	307	307	307	307	307	
48W Finished Wall Top/Bottom	FTBW4824	263	263	263	351	351	351	351	351	351	

MODIFICATIONS - FINISHED INTERIORS

FINISHED INTERIOR	SKU	LIST
Finished Interior Wall	FIW	Laminate 700, Painted 800
Finished Interior Base	FIB	Laminate 1000, Painted 1100
Finished Interior Vanity	FIV	Laminate 900, Painted 1000
Finished Interior Tall	FIT	Laminate 1800, Painted 2000

*Full Interior of Cabinet will be finished.

DESCRIPTION	SKU	LIST
Reconfigure Dimensions Wall •Min Width 6" - Max Width 48" •Min Height 9" - Max Height 60" (For warranty, Fixed Shelf required for cabinets over 48" high) •Min Depth 4" - Max Depth 30"	RDW	300
Reconfigure Dimensions Base •Min Width 6" - Max Width 48" (Submit spec drawing for quote for cabinets over 48"W) •Min Height 18" - Max Height 42" •Min Depth 6" with false drawer front; functioning drawer minimum 12" - Max Depth 30" (drawer box max depth = 21")	RDB	400
Reconfigure Dimensions Vanity •Min Width 6" - Max Width 48" (Submit spec drawing for quote for cabinets over 48"W) •Min Height 18" - Max Height 42" •Min Depth 6" with false drawer front; functioning drawer minimum 12" - Max Depth 30" (drawer box max depth = 21")	RDV	375
Reconfigure Dimensions Tall •Min Width 6" - Max Width 48" •Min Height 60" - Max Height limited by material size (Fixed shelf required for warranty over 48") •Min Depth 4" - Max Depth 30" (12" min with drawers)	RDT	600

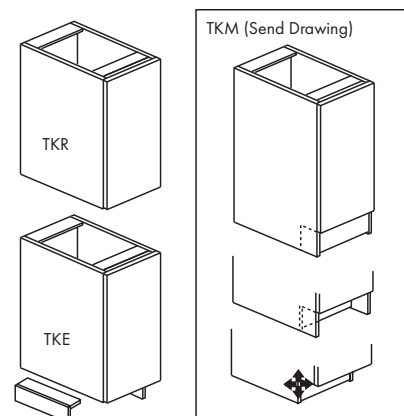
***NOTE* All modifications are subject to factory approval. All changes outside standard widths and depths in 3" increments must be submitted via spec drawing for quote and approval prior to order placement.**

MODIFICATIONS - CUSTOMIZATION AND CONFIGURATION

DESCRIPTION	SKU	LIST
Combine/Stack Cabinets •NOTE: PER DOOR (Slab will be made as a 4-piece Shaker, routed for glass) •(Does not include glass or glass clips. Finished Interior not included or assumed - specify separately.)	CSC	400 SPEC DRAWING REQUIRED (Minimum \$400/stack)
Doors Prepped For Glass •NOTE: PER DOOR (Slab will be made as a 4-piece Shaker, routed for glass) •(Does not include glass or glass clips. Finished Interior not included or assumed - specify separately.)	PFG	400
Touchlatch - Added per door/drawer •Where drilling into cabinet edge for doors is not feasible, holders will be used •NOT Available on Axial Drawers •A larger gap is required for the drawer box to push to open, which will result in the drawer fronts being proud to the doors.	TOUHLATCH	100
Shelf Drop Edge •Recommended for shelves 36" wide or wider	SHDE	200

MODIFICATIONS - TOEKICKS

DESCRIPTION	SKU	LIST
Remove Toe Kick •Loose Toe Base may be ordered - see ACCESSORIES section	TKR	300
Recess Toe Kick •per side, specify (Toe Kick parts shipped loose)	TKE	300
Toe Kick - Custom Modification •Drawing Required •Loose Toe Base may be ordered - see ACCESSORIES section	TKM	As Quoted



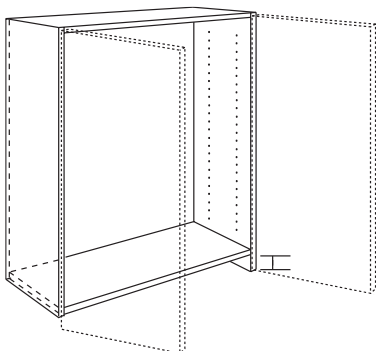
DESCRIPTION	SKU	LIST
Wood Dovetail (Standard)	Indicate on order	Default drawer box
Axial Metal - White or Anthracite (Optional)	Indicate on order	\$235 list upcharge per drawer box
Pipechase for Wood Dovetail and Axial Drawer Boxes	DWRPIPECHASE	\$400 list per drawer box
Drawer Box Scoop Back	DWRSCOOP	\$400 list per drawer box
Minimum cabinet depth for DOVETAIL drawer boxes is 12"- Pipechase default cutout = 10"w x 10"d - may be modified		
Minimum cabinet depth for AXIAL drawer boxes is 13"- Pipechase cutout only on 4"h drawer = 11.5"w x 11.75"d - no modifications		

- Wood Dovetail
- Solid butt-joined 5/8" Wood
- Soft-close Undermount
- UV clear-coat

- Axial
- Double-walled Metal
- Soft-close Undermount
- Specify White (AW) or Anthracite (AA)

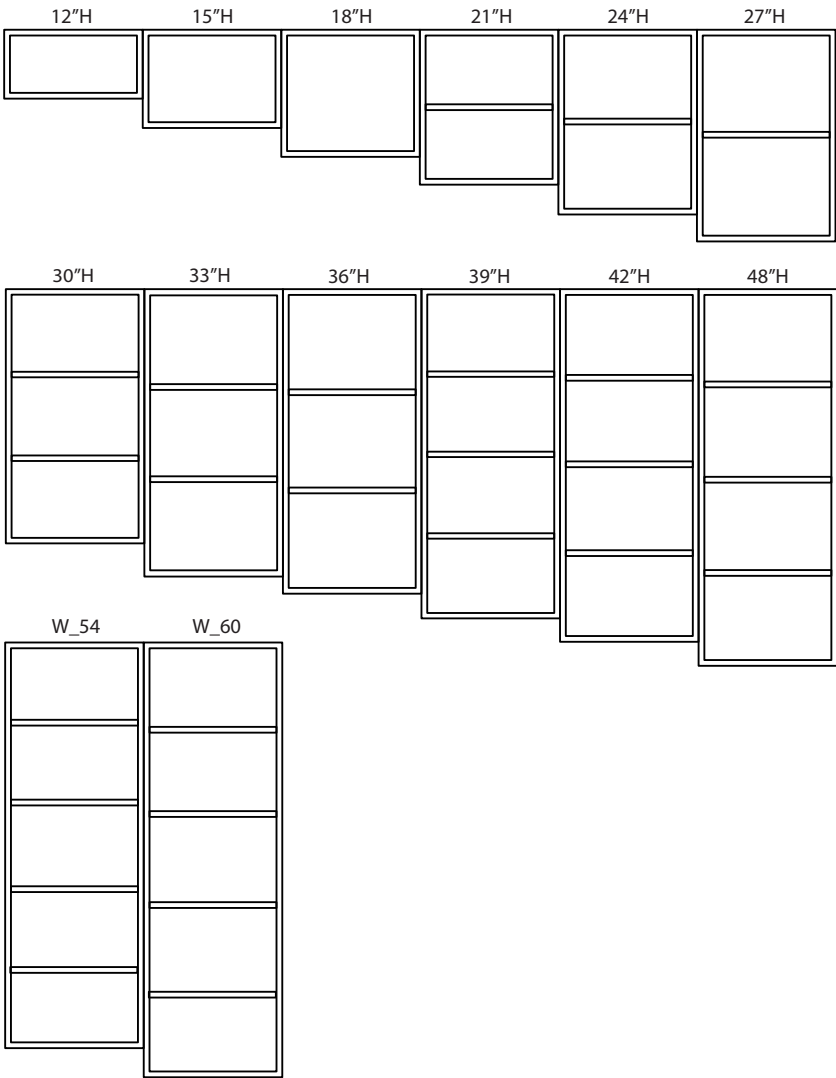
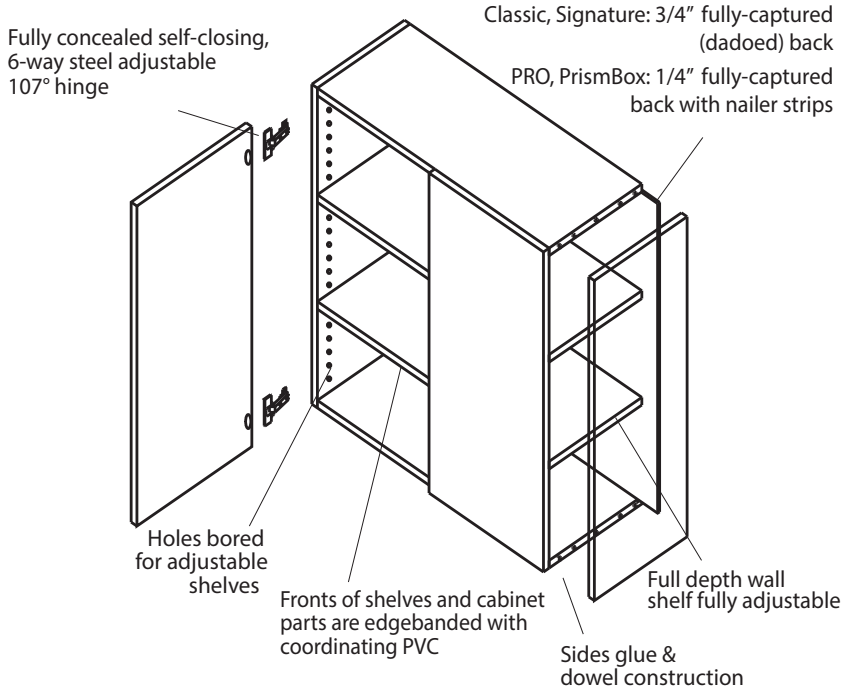
MODIFICATIONS - RAISE (RECESS) BOTTOM (WALL CABINETS)

DESCRIPTION	SKU	LIST
Raise Wall Cabinet Bottom	WRBH	300
*Bottom and Unfinished Ends are raised to shorten the height of the cabinet.		
• Doors and Finished Ends remain at standard height (doors have standard 1/16" reveal top and bottom)		
• Light Valance molding is ordered separately - see ACCESSORIES section		
• On REQUIRED specification drawing, indicate longest side for cabinet height AND indicate length of door		

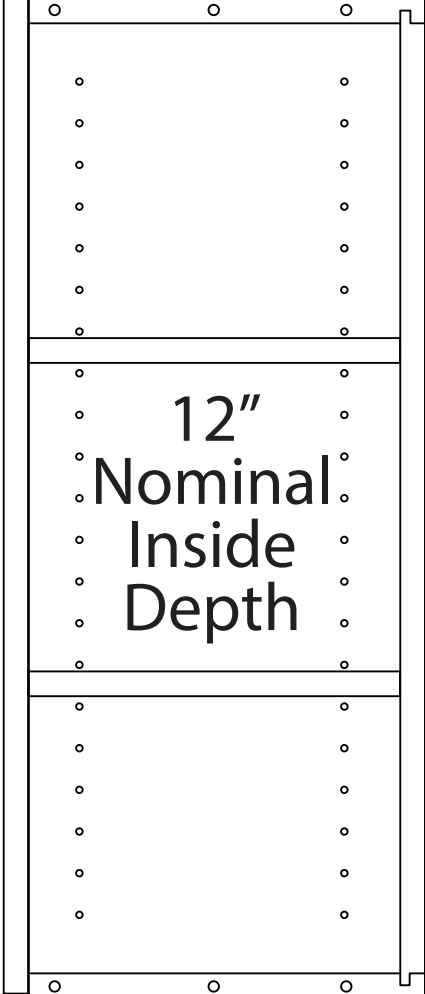


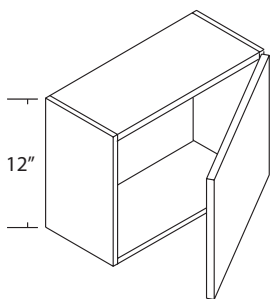
Wall Cabinet Standards

- Depth is box only, not including doors.
- Wall cabinets are 13" deep unless otherwise specified. Depth with doors is 13-7/8".
- Specify Left or Right hinging on single- door cabinets.
- Cabinets that do not include shelves do not have shelf holes.
- All shelves are adjustable.
- All wall shelves are full depth.
- Doors 42" tall and taller have 3 hinges.
- All reveals are 1/16" (1/8" between double doors).
- Cabinet backside finishing is not available.
- Cabinet specifications may change without notice.

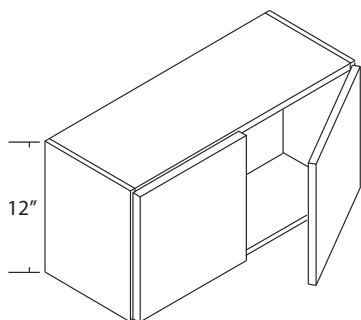


13"

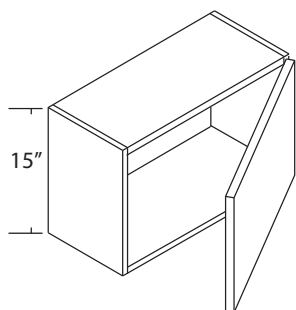




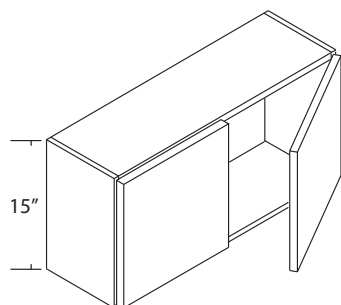
	Econ		Alvic, Egger			Painted			
12" Single	A	B	C	D	E	F	G	H	I
W1212	329	348	387	426	464	447	469	487	510
W1512	339	359	399	439	479	461	483	503	527
W1812	349	370	411	452	493	475	497	518	542
W2112	359	380	422	464	506	487	510	531	557
W2412-1	409	433	481	529	577	555	582	606	635



	Econ		Alvic, Egger			Painted			
12" Double	A	B	C	D	E	F	G	H	I
W2412	214	227	481	529	577	555	582	606	635
W2712	418	443	492	541	590	568	595	620	649
W3012	256	271	498	548	598	575	603	628	658
W3312	278	295	509	560	611	588	616	642	672
W3612	296	315	521	573	625	602	630	656	688
W3912	459	486	540	594	648	624	653	680	713
W4212	464	491	546	601	655	631	661	688	721
W4512	479	507	563	619	676	650	681	710	744
W4812	494	523	581	639	697	671	703	732	767

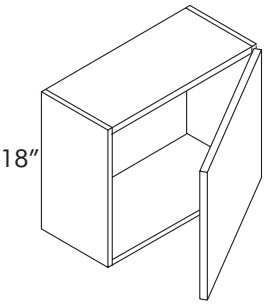


	Econ		Alvic, Egger			Painted			
15" Single	A	B	C	D	E	F	G	H	I
W1215	335	355	394	433	473	455	476	497	520
W1515	345	365	406	447	487	469	492	511	536
W1815	356	377	419	461	503	484	507	528	553
W2115	366	388	431	474	517	498	521	543	569
W2415-1	417	441	490	539	588	566	593	617	647

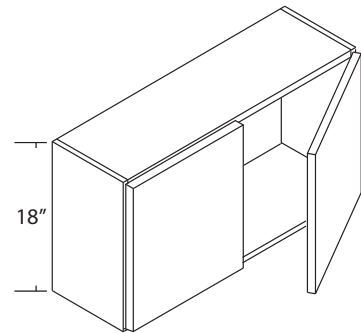


	Econ		Alvic, Egger			Painted			
15" Double	A	B	C	D	E	F	G	H	I
W2415	246	262	490	539	588	566	593	617	647
W2715	427	452	502	552	602	580	607	632	662
W3015	294	313	515	567	618	595	624	649	680
W3315	317	338	527	580	632	609	638	664	695
W3615	339	363	540	594	648	624	653	680	713
W3915	475	503	559	615	671	646	677	705	738
W4215	486	515	572	629	686	660	692	720	755
W4515	498	527	586	645	703	677	710	738	773
W4815	508	538	598	658	718	691	724	754	790

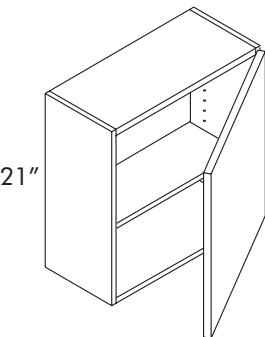
WALL - 18" & 21" HIGH



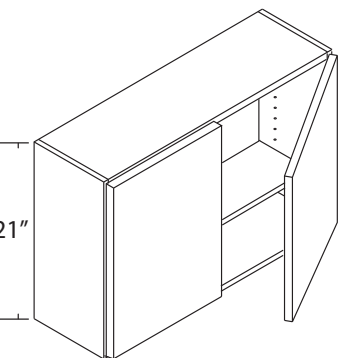
	Econ		Alvic, Egger			Painted			
18" Single	A	B	C	D	E	F	G	H	I
W1218	347	367	408	449	490	471	494	515	539
W1518	358	379	421	463	505	486	509	530	556
W1818	370	392	435	479	522	503	527	548	574
W2118	382	404	449	494	539	519	543	566	593
W2418-1	434	459	510	561	612	589	617	643	673



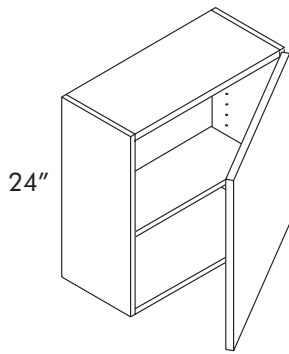
	Econ		Alvic, Egger			Painted			
18" Double	A	B	C	D	E	F	G	H	I
W2418	279	297	510	561	612	589	617	643	673
W2718	445	472	524	576	629	605	634	660	692
W3018	331	354	532	585	638	614	644	670	702
W3318	358	384	545	600	654	630	660	687	719
W3618	384	413	558	614	670	645	675	704	737
W3918	490	518	576	634	691	666	697	726	760
W4218	502	531	590	649	708	681	714	743	779
W4518	513	544	604	664	725	697	730	761	798
W4818	525	556	618	680	742	714	748	779	816



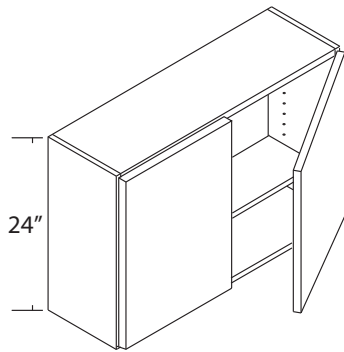
	Econ		Alvic, Egger			Painted			
21" Single	A	B	C	D	E	F	G	H	I
W1221	362	383	426	469	511	492	516	537	562
W1521	377	399	443	487	532	511	536	559	585
W1821	390	413	459	505	551	530	556	579	606
W2121	405	428	476	524	571	550	576	600	628
W2421-1	460	487	541	595	649	625	655	681	714



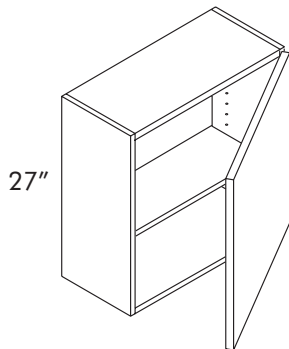
	Econ		Alvic, Egger			Painted			
21" Double	A	B	C	D	E	F	G	H	I
W2421	311	333	541	595	649	625	655	681	714
W2721	474	502	558	614	670	645	675	704	737
W3021	484	512	569	626	683	657	689	717	751
W3321	498	527	586	645	703	677	710	738	773
W3621	513	543	603	663	724	696	729	760	796
W3921	530	562	624	686	749	720	755	786	824
W4221	545	577	641	705	769	740	776	807	846
W4521	559	592	658	724	790	760	796	830	869
W4821	574	608	675	743	810	780	817	851	891



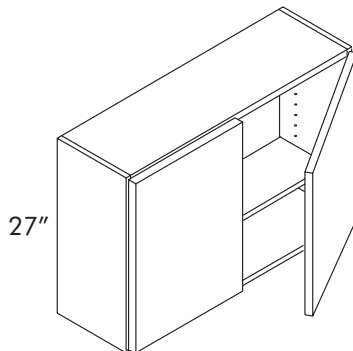
	Econ		Alvic, Egger			Painted			
24" Single	A	B	C	D	E	F	G	H	I
W1224	371	392	436	480	523	504	528	549	575
W1524	386	409	454	499	545	524	549	572	600
W1824	401	425	472	519	566	545	571	594	623
W2124	417	441	490	539	588	566	593	617	647
W2424-1	473	500	556	612	667	643	673	700	734



	Econ		Alvic, Egger			Painted			
24" Double	A	B	C	D	E	F	G	H	I
W2424	363	388	556	612	667	643	673	700	734
W2724	488	517	574	631	689	663	694	723	758
W3024	436	467	586	645	703	677	710	738	773
W3324	465	500	604	664	725	697	730	761	798
W3624	508	546	621	683	745	717	751	782	820
W3924	547	579	643	707	772	742	778	811	849
W4224	562	595	661	727	793	763	800	833	872
W4524	577	611	679	747	815	784	822	856	897
W4824	592	627	697	767	836	805	844	878	920

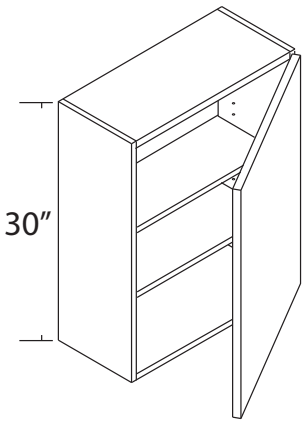


	Econ		Alvic, Egger			Painted			
27" Single	A	B	C	D	E	F	G	H	I
W1227	380	402	447	492	536	517	541	563	590
W1527	396	419	466	513	559	539	564	587	615
W1827	412	437	485	534	582	561	587	611	640
W2127	428	454	504	554	605	582	609	635	666
W2427-1	485	514	571	628	685	659	691	719	754

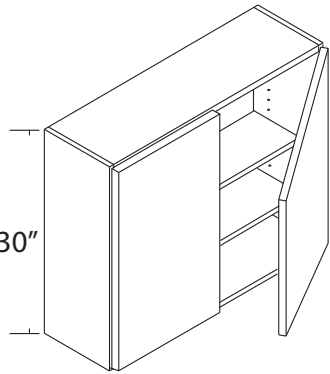


	Econ		Alvic, Egger			Painted			
27" Double	A	B	C	D	E	F	G	H	I
W2427	485	514	571	628	685	659	691	719	754
W2727	502	531	590	649	708	681	714	743	779
W3027	515	545	606	667	727	700	734	763	800
W3327	531	563	625	688	750	722	757	788	825
W3627	547	580	644	708	773	743	779	812	850
W3927	564	597	663	729	796	765	802	836	876
W4227	580	614	682	750	818	788	825	859	900
W4527	596	631	701	771	841	810	848	883	925
W4827	612	648	720	792	864	832	871	907	950

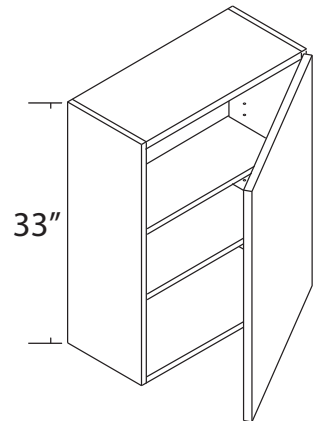
WALL - 30" & 33" HIGH



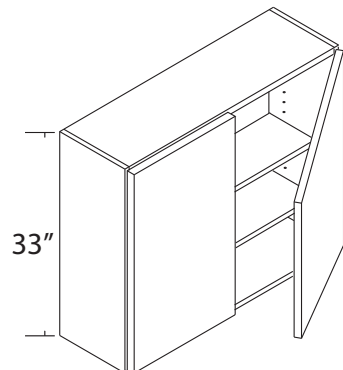
	Econ		Alvic, Egger			Painted			
30" Single	A	B	C	D	E	F	G	H	I
W930	206	217	438	482	526	506	530	552	579
W1230	246	262	457	503	548	528	553	575	603
W1530	288	307	480	528	576	554	581	605	634
W1830	330	354	501	551	601	579	606	631	661
W2130	373	400	523	575	628	604	633	659	691
W2430-1	425	456	596	656	715	689	722	751	787



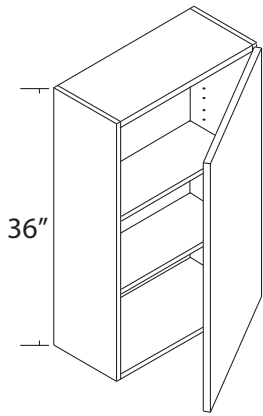
	Econ		Alvic, Egger			Painted			
30" Double	A	B	C	D	E	F	G	H	I
W2430	425	456	596	656	715	689	722	751	787
W2730	467	502	617	679	740	713	747	777	814
W3030	509	548	640	704	768	739	774	806	845
W3330	551	594	662	728	794	764	801	834	873
W3630	593	640	683	751	820	789	826	861	902
W3930	604	639	710	781	852	820	859	895	937
W4230	622	659	732	805	878	845	886	922	966
W4530	641	679	754	829	905	870	912	950	996
W4830	660	698	776	854	931	897	939	978	1024



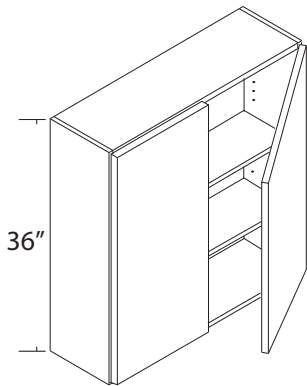
	Econ		Alvic, Egger			Painted			
33" Single	A	B	C	D	E	F	G	H	I
W933	380	402	447	492	536	517	541	563	590
W1233	397	420	467	514	560	540	565	588	616
W1533	417	441	490	539	588	566	593	617	647
W1833	437	463	514	565	617	593	622	648	679
W2133	456	482	536	590	643	620	649	675	707
W2433-1	519	549	610	671	732	705	738	769	805



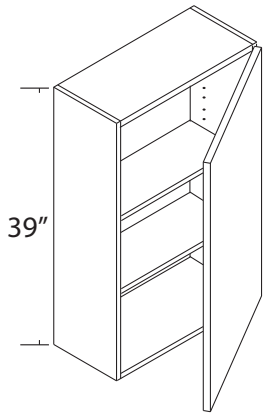
	Econ		Alvic, Egger			Painted			
33" Double	A	B	C	D	E	F	G	H	I
W2433	519	549	610	671	732	705	738	769	805
W2733	538	570	633	696	760	731	766	798	836
W3033	558	591	657	723	788	759	795	827	867
W3333	577	611	679	747	815	784	822	856	897
W3633	597	632	702	772	842	811	849	884	926
W3933	621	657	730	803	876	843	883	920	964
W4233	640	678	753	828	904	869	911	949	994
W4533	660	698	776	854	931	897	939	978	1024
W4833	680	720	800	880	960	924	968	1008	1056



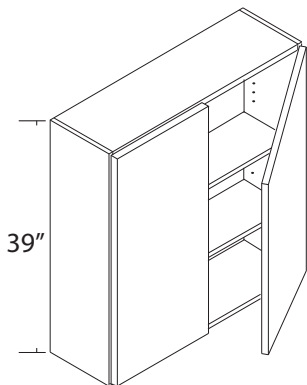
	Econ		Alvic, Egger			Painted			
36" Single	A	B	C	D	E	F	G	H	I
W936	236	250	455	501	546	526	551	573	601
W1236	282	301	477	525	572	551	578	601	629
W1536	330	353	501	551	601	579	606	631	661
W1836	378	407	525	578	630	607	636	662	693
W2136	427	460	550	605	660	635	666	693	726
W2436-1	485	523	625	688	750	722	757	788	825



	Econ		Alvic, Egger			Painted			
36" Double	A	B	C	D	E	F	G	H	I
W2436	485	523	625	688	750	722	757	788	825
W2736	533	575	649	714	779	750	785	818	857
W3036	582	629	674	741	809	778	815	849	890
W3336	630	682	697	767	836	805	844	878	920
W3636	679	735	721	793	865	833	872	908	952
W3936	638	675	750	825	900	866	908	945	990
W4236	658	697	774	851	929	894	936	975	1022
W4536	679	719	799	879	959	923	967	1007	1055
W4836	700	741	823	905	988	950	996	1037	1087

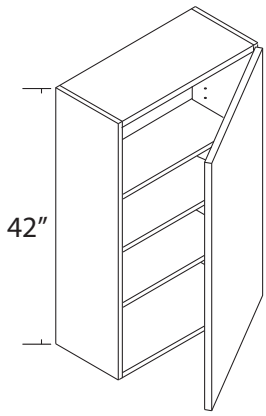


	Econ		Alvic, Egger			Painted			
39" Single	A	B	C	D	E	F	G	H	I
W939	263	278	467	514	560	540	565	588	616
W1239	318	339	490	539	588	566	593	617	647
W1539	374	399	516	568	619	596	625	650	681
W1839	429	459	540	594	648	624	653	680	713
W2139	484	520	565	622	678	653	684	712	746
W2439-1	552	592	643	707	772	742	778	811	849

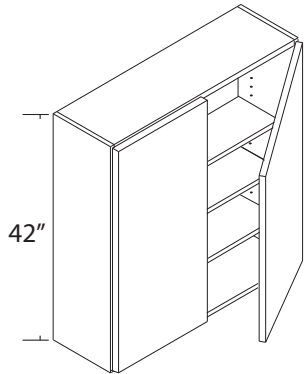


	Econ		Alvic, Egger			Painted			
39" Double	A	B	C	D	E	F	G	H	I
W2439	552	592	643	707	772	742	778	811	849
W2739	467	502	667	734	800	771	807	840	880
W3039	662	713	693	762	832	800	838	874	915
W3339	718	774	718	790	862	830	869	905	948
W3639	773	834	744	818	893	859	900	938	982
W3939	657	696	773	850	928	893	935	974	1021
W4239	679	719	799	879	959	923	967	1007	1055
W4539	700	742	824	906	989	951	997	1038	1088
W4839	723	765	850	935	1020	982	1029	1071	1122

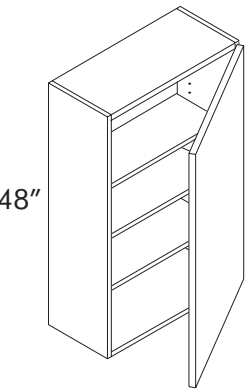
WALL - 42" & 48" HIGH



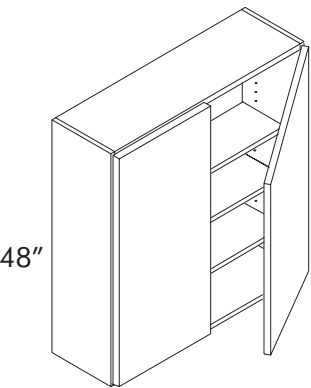
42" Single	Econ		Alvic, Egger			Painted			
	A	B	C	D	E	F	G	H	I
W942	280	296	484	532	581	559	585	610	639
W1242	334	356	508	559	610	587	615	641	671
W1542	390	418	537	591	644	621	650	676	708
W1842	447	480	564	620	677	651	682	711	745
W2142	504	543	593	652	712	685	717	748	783
W2442-1	577	621	674	741	809	778	815	849	890



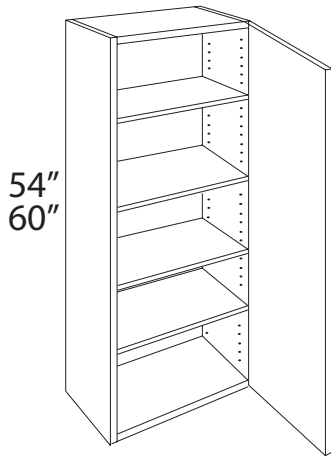
42" Double	Econ		Alvic, Egger			Painted			
	A	B	C	D	E	F	G	H	I
W2442	577	621	674	741	809	778	815	849	890
W2742	633	682	702	772	842	811	849	884	926
W3042	690	744	730	803	876	843	883	920	964
W3342	747	807	758	834	910	876	917	956	1001
W3642	804	869	787	866	944	909	953	991	1038
W3942	697	738	820	902	984	947	992	1033	1082
W4242	721	763	848	933	1018	980	1026	1069	1120
W4542	745	789	877	965	1052	1013	1062	1105	1157
W4842	770	815	906	997	1087	1047	1097	1141	1196



48" Single	Econ		Alvic, Egger			Painted			
	A	B	C	D	E	F	G	H	I
W948	443	469	521	573	625	602	630	656	688
W1248	465	492	547	602	656	632	662	689	722
W1548	491	520	578	636	694	668	700	729	763
W1848	518	548	609	670	731	704	737	768	804
W2148	544	576	640	704	768	739	774	806	845
W2448-1	621	658	731	804	877	844	884	921	965

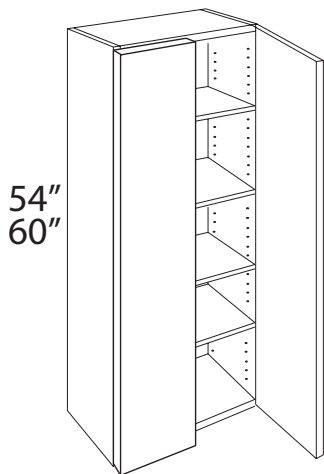


48" Double	Econ		Alvic, Egger			Painted			
	A	B	C	D	E	F	G	H	I
W2448	621	658	731	804	877	844	884	921	965
W2748	648	686	762	838	914	880	922	960	1005
W3048	673	713	792	871	950	915	958	998	1045
W3348	700	741	823	905	988	950	996	1037	1087
W3648	726	769	854	939	1025	986	1033	1076	1128
W3948	752	797	885	974	1062	1023	1071	1115	1168
W4248	778	824	915	1007	1098	1057	1108	1153	1208
W4548	804	851	946	1041	1135	1093	1145	1192	1249
W4848	831	880	978	1076	1174	1130	1184	1233	1291



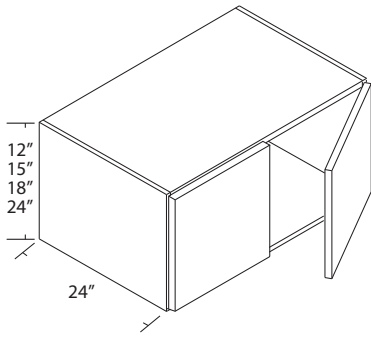
	Econ		Alvic, Egger			Painted			
54" Single	A	B	C	D	E	F	G	H	I
W954	463	491	545	600	654	630	660	687	719
W1254	490	518	576	634	691	666	697	726	760
W1554	519	550	611	672	733	706	739	770	806
W1854	549	581	646	711	775	747	782	814	853
W2154	579	613	681	749	817	786	824	858	899
W2454-1	660	698	776	854	931	897	939	978	1024

	Econ		Alvic, Egger			Painted			
54" Double	A	B	C	D	E	F	G	H	I
W2454	660	698	776	854	931	897	939	978	1024
W2754	689	730	811	892	973	937	981	1022	1070
W3054	719	761	846	931	1015	978	1024	1066	1117
W3354	749	793	881	969	1057	1017	1066	1110	1163
W3654	779	824	916	1008	1099	1058	1109	1154	1209
W3954	808	856	951	1046	1141	1098	1151	1198	1255
W4254	838	887	986	1085	1183	1139	1194	1242	1301
W4554	868	919	1021	1123	1225	1179	1235	1286	1348
W4854	898	950	1056	1162	1267	1220	1278	1330	1394



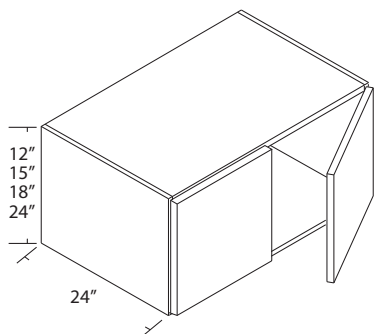
	Econ		Alvic, Egger			Painted			
60" Single	A	B	C	D	E	F	G	H	I
W960	479	507	563	619	676	650	681	710	744
W1260	507	537	597	657	716	690	723	752	788
W1560	539	571	634	697	761	732	767	799	837
W1860	570	604	671	738	805	775	812	845	886
W2160	603	638	709	780	851	819	858	894	936
W2460-1	685	725	806	887	967	931	976	1015	1064

	Econ		Alvic, Egger			Painted			
60" Double	A	B	C	D	E	F	G	H	I
W2460	685	725	806	887	967	931	976	1015	1064
W2760	717	759	843	927	1012	973	1020	1063	1113
W3060	748	792	880	968	1056	1016	1065	1109	1162
W3360	779	825	917	1009	1100	1059	1110	1155	1210
W3660	811	859	954	1049	1145	1101	1154	1202	1260
W3960	843	893	992	1091	1190	1146	1200	1250	1309
W4260	875	926	1029	1132	1235	1189	1245	1297	1359
W4560	906	959	1066	1173	1279	1232	1290	1343	1407
W4860	938	993	1103	1213	1324	1274	1334	1390	1456



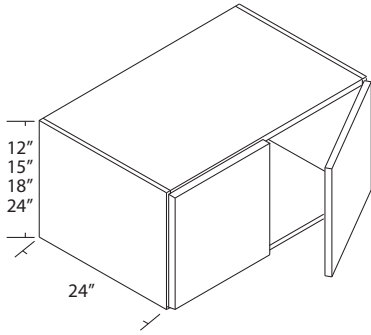
	Econ		Alvic, Egger			Painted			
12" Single	A	B	C	D	E	F	G	H	I
W121224	401	428	481	535	589	564	595	621	653
W151224	413	440	493	547	601	576	607	633	665
W181224	425	452	505	559	613	588	619	645	677
W211224	437	464	517	571	625	600	631	657	689
W241224-1	277	290	529	583	637	612	643	669	701
12" Double	A	B	C	D	E	F	G	H	I
W241224	277	290	537	590	644	619	650	676	708
W271224	462	490	544	598	653	628	659	685	718
W301224	328	344	551	606	661	636	667	694	727
W331224	367	384	565	622	678	653	684	712	746
W361224	389	408	580	638	696	670	702	731	766
W391224	506	535	595	654	714	687	720	750	786
W421224	519	549	610	671	732	705	738	769	805
W451224	532	561	625	686	750	721	756	788	826
W481224	544	576	640	704	768	739	774	806	845

	Econ		Alvic, Egger			Painted			
15" Single	A	B	C	D	E	F	G	H	I
W121524	416	445	491	547	604	578	600	628	658
W151524	428	457	505	561	618	592	616	644	675
W181524	440	469	519	575	632	606	632	660	692
W211524	452	481	533	589	646	620	648	676	709
W241524-1	315	330	547	603	660	634	664	692	726
15" Double	A	B	C	D	E	F	G	H	I
W241524	315	330	555	610	667	641	671	699	733
W271524	478	507	563	619	676	650	681	709	744
W301524	373	393	571	628	685	659	691	719	754
W331524	415	436	587	646	704	678	711	739	774
W361524	445	468	603	663	724	696	729	760	796
W391524	528	559	621	683	746	717	751	783	820
W421524	543	575	639	703	767	738	773	805	844
W451524	557	590	655	721	786	757	793	825	865
W481524	570	604	671	738	805	775	812	845	886



	Econ		Alvic, Egger			Painted			
18" Single	A	B	C	D	E	F	G	H	I
W121824	432	462	510	568	625	600	623	651	682
W151824	444	474	524	582	639	614	639	667	699
W181824	456	486	538	596	653	628	655	683	716
W211824	468	498	552	610	667	642	671	699	733
W241824-1	352	371	566	624	681	656	687	715	750
18" Double	A	B	C	D	E	F	G	H	I
W241824	352	371	574	631	688	663	694	722	757
W271824	495	525	583	641	699	673	705	733	769
W301824	430	453	591	650	709	683	715	744	780
W331824	463	489	608	669	730	702	736	767	803
W361824	484	512	625	688	750	722	757	788	825
W391824	548	580	644	709	773	744	780	812	851
W421824	564	597	663	729	796	765	802	836	876
W451824	579	613	681	749	817	786	824	858	899
W481824	593	628	698	768	838	806	845	880	922

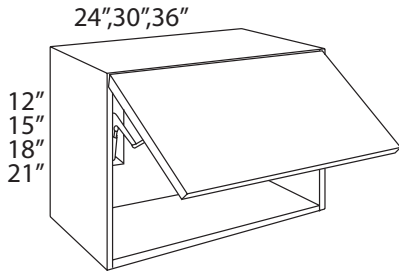
	Econ		Alvic, Egger			Painted			
21" Single	A	B	C	D	E	F	G	H	I
W122124	479	510	564	628	691	663	689	721	754
W152124	491	522	578	642	705	677	705	737	771
W182124	503	534	592	656	719	691	721	753	788
W212124	515	546	606	670	733	705	737	769	805
W242124-1	390	411	620	684	747	719	753	785	822
21" Double	A	B	C	D	E	F	G	H	I
W242124	390	411	628	691	754	726	760	792	829
W272124	543	575	639	703	767	738	773	805	843
W302124	475	502	649	714	779	750	785	818	857
W332124	511	541	670	737	804	774	811	844	884
W362124	548	581	693	762	832	800	838	874	915
W392124	610	646	717	789	861	828	868	904	947
W422124	630	667	741	815	889	856	897	933	978
W452124	649	687	764	840	916	882	925	962	1008
W482124	668	707	786	865	943	908	952	990	1037



	Econ		Alvic, Egger			Painted			
24" Single	A	B	C	D	E	F	G	H	I
W122424	495	526	583	648	712	684	711	743	778
W152424	507	538	597	662	726	698	727	759	795
W182424	519	550	611	676	740	712	743	775	812
W212424	531	562	625	690	754	726	759	791	829
W242424-1	457	482	639	704	768	740	775	807	846
24" Double	A	B	C	D	E	F	G	H	I
W242424	457	482	646	711	775	747	782	814	853
W272424	560	592	658	724	790	761	797	829	869
W302424	574	605	670	737	804	774	811	844	884
W332424	642	676	694	763	833	801	839	875	916
W362424	667	704	716	788	859	827	867	902	945
W392424	630	667	741	816	889	856	897	934	978
W422424	651	689	766	843	919	885	927	965	1011
W452424	671	710	789	868	947	912	955	994	1041
W482424	690	731	812	893	974	938	982	1023	1071

	Econ		Alvic, Egger			Painted			
27" Single	A	B	C	D	E	F	G	H	I
W122724	495	526	583	648	712	684	711	743	778
W152724	507	538	597	662	726	698	727	759	795
W182724	519	550	611	676	740	712	743	775	812
W212724	531	562	625	690	754	726	759	791	829
W242724-1	543	574	639	704	768	740	775	807	846
27" Double	A	B	C	D	E	F	G	H	I
W242724	550	581	646	711	775	747	782	814	853
W242724	560	592	658	724	790	761	797	829	869
W302724	570	603	670	737	804	774	811	844	884
W332724	590	625	694	763	833	801	839	875	916
W362724	609	644	716	788	859	827	867	902	945
W392724	630	667	741	816	889	856	897	934	978
W422724	651	689	766	843	919	885	927	965	1011
W452724	671	710	789	868	947	912	955	994	1041
W482724	690	731	812	893	974	938	982	1023	1071

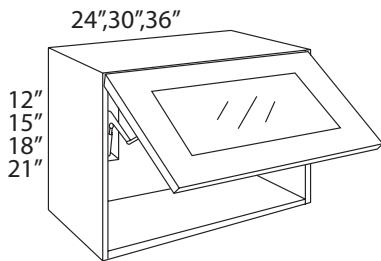
•Finished Interior not included on any Lift-Up cabinets. Add upcharge for Finished Interior



Standard	Econ		Alvic, Egger			Painted			
24" Width	A	B	C	D	E	F	G	H	I
WLFT2412	693	734	815	897	978	942	987	1027	1076
WLFT2415	704	745	828	911	994	957	1002	1044	1093
WLFT2418	716	758	842	926	1010	972	1019	1061	1111
WLFT2421	743	787	874	961	1049	1009	1057	1101	1154
30" Width									
WLFT3012	711	753	837	921	1004	967	1013	1054	1104
WLFT3015	365	384	854	939	1025	986	1033	1076	1128
WLFT3018	402	425	870	957	1044	1005	1053	1096	1148
WLFT3021	771	816	907	998	1088	1048	1098	1142	1197
36" Width									
WLFT3612	731	774	860	946	1032	993	1041	1084	1135
WLFT3615	411	434	878	966	1054	1014	1063	1107	1159
WLFT3618	456	484	896	986	1075	1035	1085	1129	1183
WLFT3621	799	846	940	1034	1128	1086	1137	1184	1241

WALL - LIFTUP - ALUMINUM DOOR

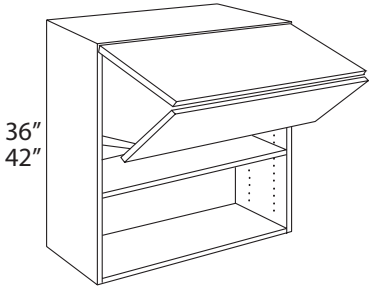
- Aluminum Door price included
- Finished Interior not included on any Lift-Up cabinets. Add upcharge for Finished Interior
- Aluminum Door may require added lead time
- Indicate Brushed Aluminum or Stainless Frame Finish, and Clear or Satin Glass



Aluminum Door	Econ		Alvic, Egger			Painted			
24" Width	A	B	C	D	E	F	G	H	I
WLAD2412	1008	1067	1186	1305	1423	1370	1436	1494	1565
WLAD2415	1099	1164	1293	1422	1552	1493	1564	1630	1707
WLAD2418	1189	1259	1399	1539	1679	1616	1693	1763	1847
WLAD2421	1281	1356	1507	1658	1808	1741	1824	1898	1989
30" Width									
WLAD3012	1106	1171	1301	1431	1561	1503	1574	1639	1717
WLAD3015	1219	1291	1434	1577	1721	1656	1735	1807	1893
WLAD3018	1330	1409	1565	1722	1878	1808	1894	1972	2066
WLAD3021	1443	1528	1698	1868	2038	1961	2055	2140	2242
36" Width									
WLAD3612	1204	1275	1417	1559	1700	1637	1715	1785	1870
WLAD3615	1338	1417	1574	1731	1889	1818	1904	1983	2078
WLAD3618	1471	1558	1731	1904	2077	1999	2094	2181	2285
WLAD3621	1606	1700	1889	2078	2267	2182	2286	2380	2494

WALL - BI-FOLD

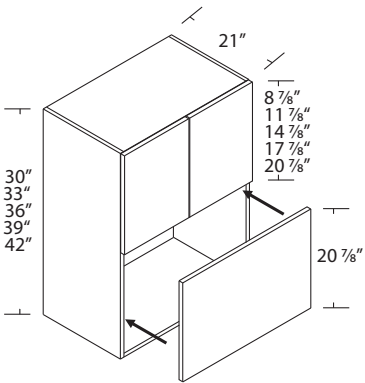
- Bi-Fold Liftup cabinets use the Blum Aventos HF mechanism



Bi-fold	Econ		Alvic, Egger			Painted			
24" Width	A	B	C	D	E	F	G	H	I
WLBF2436	1466	1553	1725	1898	2070	1993	2088	2174	2277
WLBF2442	1505	1594	1771	1948	2125	2045	2143	2231	2338
30" Width									
WLBF3036	1508	1597	1774	1951	2129	2049	2146	2235	2342
WLBF3042	1554	1645	1828	2011	2194	2112	2212	2304	2413
36" Width									
WLBF3636	1550	1641	1823	2005	2188	2105	2206	2297	2407
WLBF3642	1602	1697	1885	2074	2262	2178	2281	2375	2488

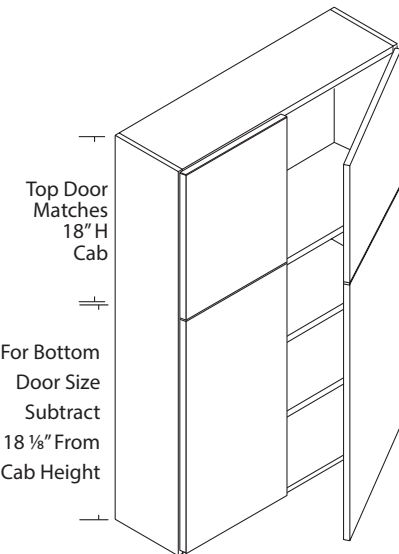
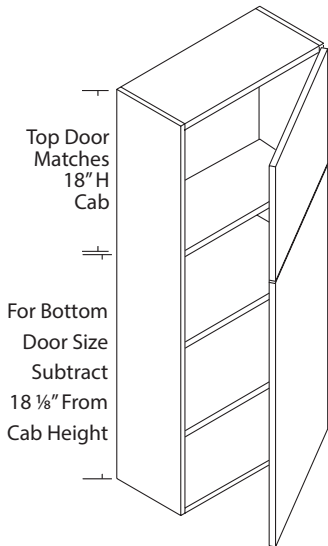
WALL - MICROWAVE

- See door style information for oven panel edge detail
- Oven panel shipped loose - cutout and mounting to be completed at job site



	Econ		Alvic, Egger			Painted			
Microwave	A	B	C	D	E	F	G	H	I
WMWD303021	564	598	664	730	797	767	803	837	877
WMWD303321	582	617	685	754	822	792	829	863	904
WMWD303621	604	640	711	782	853	821	860	896	938
WMWD303921	622	659	732	805	878	845	886	922	966
WMWD304221	641	679	754	829	905	870	912	950	996

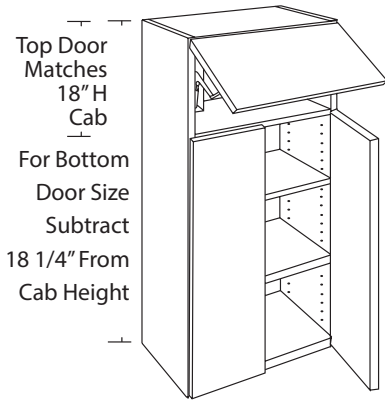
• No upcharge to adjust top door to another standard wall cabinet height (12, 15, 21, 24)



18" Top Section	Econ		Alvic, Egger			Painted			
48" Height	A	B	C	D	E	F	G	H	I
WCS1248	718	761	845	930	1015	977	1023	1066	1117
WCS1548	748	792	880	969	1057	1017	1066	1110	1163
WCS1848	800	846	940	1034	1128	1086	1137	1184	1241
WCS2148	804	852	946	1040	1134	1092	1144	1191	1247
WCS2448-1	916	969	1078	1186	1293	1245	1305	1358	1422
WCS2448	916	969	1078	1186	1293	1245	1305	1358	1422
WCS2748	944	999	1110	1221	1331	1282	1343	1398	1464
WCS3048	968	1026	1139	1252	1366	1315	1377	1434	1503
WCS3348	997	1055	1173	1291	1407	1356	1420	1477	1548
WCS3648	1024	1084	1204	1324	1444	1390	1456	1516	1588
WCS3948	1060	1122	1247	1372	1496	1441	1509	1571	1646
WCS4248	1090	1153	1281	1409	1537	1479	1550	1614	1691
WCS4548	1116	1182	1314	1447	1578	1519	1592	1657	1736
WCS4848	1146	1214	1349	1483	1619	1557	1631	1700	1781
54" Height	A	B	C	D	E	F	G	H	I
WCS1254	735	779	865	952	1038	1000	1047	1090	1142
WCS1554	766	811	901	991	1081	1041	1090	1135	1189
WCS1854	808	855	950	1045	1140	1097	1150	1197	1254
WCS2154	826	875	972	1069	1166	1122	1176	1224	1283
WCS2454-1	940	995	1106	1217	1327	1278	1339	1393	1460
WCS2454	940	995	1106	1217	1327	1278	1339	1393	1460
WCS2754	970	1027	1141	1255	1369	1318	1381	1437	1506
WCS3054	996	1055	1172	1289	1406	1353	1418	1476	1547
WCS3354	1026	1086	1207	1328	1448	1394	1461	1520	1593
WCS3654	1055	1117	1241	1365	1489	1433	1502	1563	1638
WCS3954	1093	1157	1286	1415	1543	1486	1557	1620	1697
WCS4254	1124	1190	1322	1454	1586	1527	1599	1665	1745
WCS4554	1154	1222	1358	1494	1630	1569	1643	1712	1793
WCS4854	1185	1255	1394	1533	1673	1610	1686	1757	1840
60" Height	A	B	C	D	E	F	G	H	I
WCS1260	752	797	885	974	1062	1023	1071	1115	1168
WCS1560	784	830	922	1014	1106	1065	1115	1161	1217
WCS1860	816	864	960	1056	1152	1109	1162	1210	1267
WCS2160	849	899	999	1099	1199	1154	1209	1259	1319
WCS2460-1	965	1022	1135	1249	1362	1311	1374	1430	1498
WCS2460	965	1022	1135	1249	1362	1311	1374	1430	1498
WCS2760	997	1056	1173	1290	1408	1355	1419	1478	1549
WCS3060	1025	1085	1206	1327	1447	1393	1460	1519	1592
WCS3360	1056	1118	1242	1366	1490	1434	1503	1565	1639
WCS3660	1087	1151	1279	1407	1535	1477	1548	1612	1689
WCS3960	1127	1193	1326	1459	1591	1532	1605	1671	1750
WCS4260	1159	1228	1364	1500	1637	1575	1650	1719	1801
WCS4560	1193	1263	1403	1543	1684	1620	1697	1768	1852
WCS4860	1225	1297	1441	1585	1729	1664	1744	1815	1902

WALL - STACKED - LIFTUP

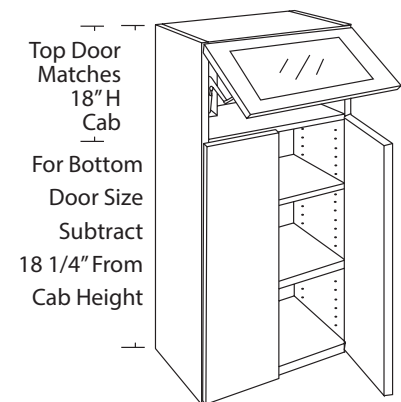
- Standard upper & lower doors
- All Liftup cabinets use the Blum Aventos HK mechanism



18" Top Section	Econ		Alvic, Egger			Painted			
48" Height	A	B	C	D	E	F	G	H	I
WCSLF2448	1222	1294	1438	1582	1726	1661	1740	1812	1899
WCSLF2748	1253	1327	1474	1622	1769	1703	1784	1858	1946
WCSLF3048	1284	1359	1510	1661	1812	1744	1827	1903	1993
WCSLF3348	1315	1392	1546	1701	1855	1786	1871	1949	2040
WCSLF3648	1346	1425	1582	1741	1898	1828	1915	1995	2087
54" Height	A	B	C	D	E	F	G	H	I
WCSLF2454	1247	1320	1467	1614	1760	1695	1775	1848	1936
WCSLF2754	1280	1355	1506	1656	1807	1739	1822	1897	1987
WCSLF3054	1312	1390	1544	1698	1853	1783	1868	1946	2038
WCSLF3354	1345	1425	1583	1740	1900	1827	1915	1995	2089
WCSLF3654	1378	1460	1622	1782	1947	1871	1962	2044	2140
60" Height	A	B	C	D	E	F	G	H	I
WCSLF2460	2069	2168	1516	1668	1819	1751	1835	1910	2001
WCSLF2760	1325	1402	1558	1714	1870	1800	1886	1963	2057
WCSLF3060	1360	1440	1600	1760	1920	1848	1936	2016	2112
WCSLF3360	1396	1478	1642	1806	1971	1897	1987	2069	2168
WCSLF3660	1432	1516	1684	1852	2022	1946	2038	2122	2224

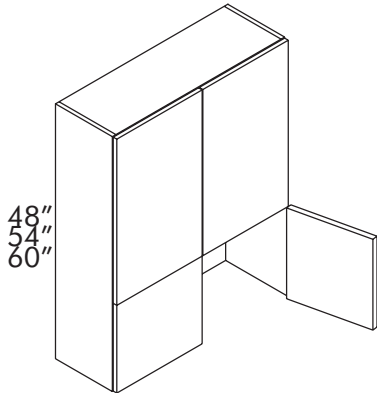
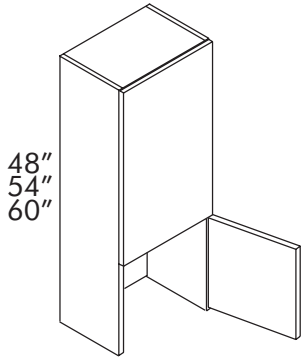
WALL - STACKED - LIFTUP - ALUMINUM DOOR

- Aluminum upper door / standard lower doors
- Aluminum Door price included
- All Liftup cabinets use the Blum Aventos HK Liftup mechanism
- **Indicate Brushed Aluminum or Stainless Frame Finish, and Clear or Satin Glass**



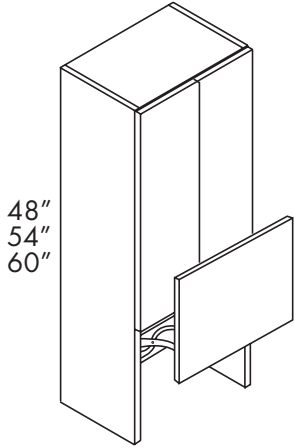
18" Top Section	Econ		Alvic, Egger			Painted			
48" Height	A	B	C	D	E	F	G	H	I
WCSLA2448	1696	1796	1995	2195	2394	2305	2415	2514	2633
WCSLA2748	1785	1891	2100	2311	2520	2426	2542	2646	2772
WCSLA3048	1874	1985	2205	2426	2646	2547	2669	2778	2911
WCSLA3348	1963	2080	2310	2542	2772	2668	2796	2910	3050
WCSLA3648	2052	2175	2415	2658	2898	2789	2923	3042	3189
54" Height	A	B	C	D	E	F	G	H	I
WCSLA2454	1874	1985	2024	2426	2646	2547	2669	2778	2911
WCSLA2754	1963	2079	2132	2541	2772	2668	2795	2910	3049
WCSLA3054	2052	2173	2239	2655	2897	2788	2921	3042	3187
WCSLA3354	2141	2267	2347	2770	3023	2909	3047	3174	3325
WCSLA3654	2230	2361	2455	2885	3149	3030	3173	3306	3463
60" Height	A	B	C	D	E	F	G	H	I
WCSLA2460	1903	2015	2073	2463	2687	2586	2709	2821	2956
WCSLA2760	1994	2111	2184	2580	2815	2709	2838	2955	3096
WCSLA3060	2084	2207	2295	2697	2942	2832	2967	3089	3236
WCSLA3360	2175	2303	2406	2814	3070	2955	3096	3223	3376
WCSLA3660	2266	2399	2517	2931	3198	3078	3225	3357	3516

- Lower section height = 18"
- No bottom in lower section



	Econ		Alvic, Egger			Painted			
48" Height	A	B	C	D	E	F	G	H	I
WCC1248	517	547	608	669	730	702	736	767	803
WCC1548	541	572	636	700	763	735	770	801	839
WCC1848	565	599	665	732	798	769	805	838	878
WCC2148	590	625	694	763	833	801	839	875	916
WCC2448	657	696	773	850	928	893	935	974	1021
WCC2748	682	722	802	882	962	926	970	1010	1058
WCC3048	706	747	830	913	996	959	1004	1046	1096
WCC3348	730	773	859	945	1031	992	1040	1083	1134
WCC3648	756	800	889	978	1067	1027	1076	1120	1174
WCC3948	779	825	917	1009	1100	1059	1110	1155	1210
WCC4248	804	851	946	1041	1135	1093	1145	1192	1249
WCC4548	829	878	975	1073	1170	1127	1180	1229	1287
WCC4848	853	903	1003	1103	1204	1158	1213	1264	1324
54" Height	A	B	C	D	E	F	G	H	I
WCC1254	541	572	636	700	763	735	770	801	839
WCC1554	569	602	669	736	803	773	810	843	883
WCC1854	597	632	702	772	842	811	849	884	926
WCC2154	625	662	735	809	882	849	890	926	970
WCC2454	696	737	819	901	983	946	991	1032	1081
WCC2754	724	767	852	937	1022	984	1031	1073	1124
WCC3054	752	797	885	974	1062	1023	1071	1115	1168
WCC3354	779	825	917	1009	1100	1059	1110	1155	1210
WCC3654	808	856	951	1046	1141	1098	1151	1198	1255
WCC3954	836	886	984	1082	1181	1136	1190	1240	1299
WCC4254	864	915	1017	1119	1220	1175	1231	1281	1342
WCC4554	893	945	1050	1155	1260	1213	1271	1323	1386
WCC4854	921	975	1083	1191	1300	1251	1310	1365	1430
60" Height	A	B	C	D	E	F	G	H	I
WCC1260	558	591	657	723	788	759	795	827	867
WCC1560	588	623	692	761	830	799	837	872	913
WCC1860	619	655	728	801	874	841	881	918	961
WCC2160	649	687	763	839	916	881	923	962	1008
WCC2460	721	763	848	933	1018	980	1026	1069	1120
WCC2760	751	795	883	971	1060	1020	1068	1113	1166
WCC3060	780	826	918	1010	1102	1061	1111	1157	1212
WCC3360	810	858	953	1048	1144	1100	1153	1201	1258
WCC3660	840	889	988	1087	1186	1141	1196	1245	1305
WCC3960	870	921	1023	1125	1228	1181	1238	1289	1351
WCC4260	899	952	1058	1164	1270	1222	1280	1334	1397
WCC4560	929	984	1093	1202	1312	1262	1322	1378	1443
WCC4860	960	1016	1129	1242	1355	1304	1366	1423	1491

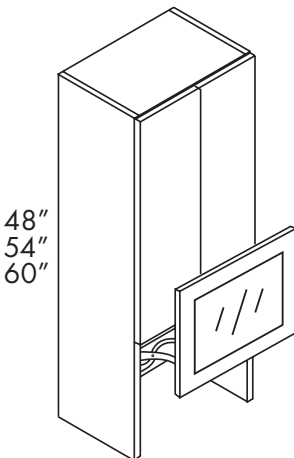
- Lower section height = 18"
- No bottom in lower section
- Standard Doors
- WCC Liftup cabinets use the Blum Aventos HL parallel liftup mechanism



Standard Door	Econ		Alvic, Egger			Painted			
48" Height	A	B	C	D	E	F	G	H	I
WCCLF2448	1732	1834	2038	2242	2446	2354	2466	2568	2691
WCCLF2748	1763	1867	2074	2282	2489	2396	2510	2614	2738
WCCLF3048	1794	1899	2110	2321	2532	2437	2553	2659	2785
WCCLF3348	1823	1930	2145	2359	2574	2477	2595	2703	2831
WCCLF3648	1852	1961	2179	2397	2615	2517	2637	2746	2877
54" Height	A	B	C	D	E	F	G	H	I
WCCLF2454	1757	1860	2067	2274	2480	2388	2501	2604	2728
WCCLF2754	1790	1895	2106	2316	2527	2432	2548	2653	2779
WCCLF3054	1822	1930	2144	2358	2573	2476	2594	2702	2830
WCCLF3354	1853	1963	2181	2399	2617	2519	2639	2748	2878
WCCLF3654	1884	1995	2217	2439	2660	2561	2683	2793	2926
60" Height	A	B	C	D	E	F	G	H	I
WCCLF2460	1799	1904	2116	2328	2539	2444	2561	2666	2793
WCCLF2760	1835	1942	2158	2374	2590	2493	2612	2719	2849
WCCLF3060	1870	1980	2200	2420	2640	2541	2662	2772	2904
WCCLF3360	1906	2018	2242	2466	2690	2589	2712	2825	2959
WCCLF3660	1941	2055	2283	2511	2740	2637	2762	2877	3014

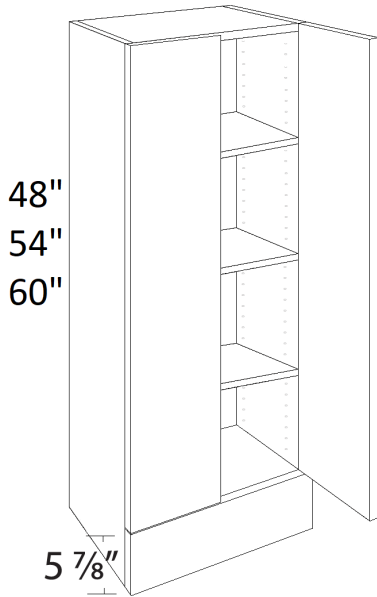
WALL - STACKED - LIFTUP - ALUMINUM LOWER DOOR

- Lower section height = 18"
- No bottom in lower section
- Aluminum Door price included
- Standard Upper doors
- Aluminum/Glass Lower door
- WCCLA Liftup cabinets use the Blum Aventos HL parallel liftup mechanism
- **Indicate Brushed Aluminum or Stainless Frame Finish, and Clear or Satin Glass**



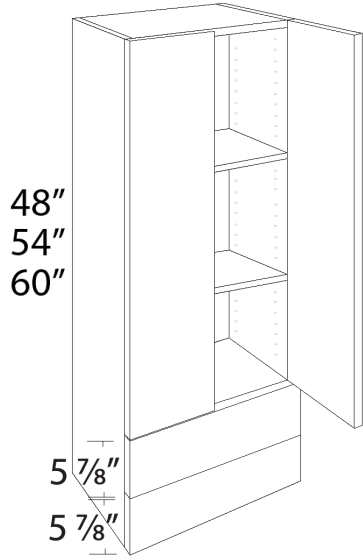
Aluminum Door	Econ		Alvic, Egger			Painted			
48" Height	A	B	C	D	E	F	G	H	I
WCCLA2448	2206	2336	2595	2855	3114	2998	3141	3270	3425
WCCLA2748	2295	2431	2700	2971	3240	3119	3268	3402	3564
WCCLA3048	2384	2525	2805	3086	3366	3240	3395	3534	3703
WCCLA3348	2473	2619	2910	3201	3492	3361	3521	3666	3841
WCCLA3648	2562	2713	3014	3315	3617	3481	3647	3798	3979
54" Height	A	B	C	D	E	F	G	H	I
WCCLA2454	2230	2362	2624	2886	3149	3030	3175	3306	3464
WCCLA2754	2322	2459	2732	3005	3278	3155	3305	3442	3606
WCCLA3054	2413	2555	2839	3123	3407	3279	3435	3577	3748
WCCLA3354	2504	2651	2946	3240	3535	3402	3564	3711	3888
WCCLA3654	2594	2747	3052	3357	3662	3525	3693	3845	4028
60" Height	A	B	C	D	E	F	G	H	I
WCCLA2460	2272	2406	2673	2940	3208	3087	3234	3368	3529
WCCLA2760	2367	2506	2784	3063	3341	3216	3369	3508	3675
WCCLA3060	2461	2606	2895	3185	3474	3344	3504	3648	3821
WCCLA3360	2556	2706	3007	3308	3608	3473	3639	3789	3969
WCCLA3660	2650	2806	3118	3430	3742	3602	3773	3929	4116

- No finished sides are included
- Includes 3 adjustable shelves



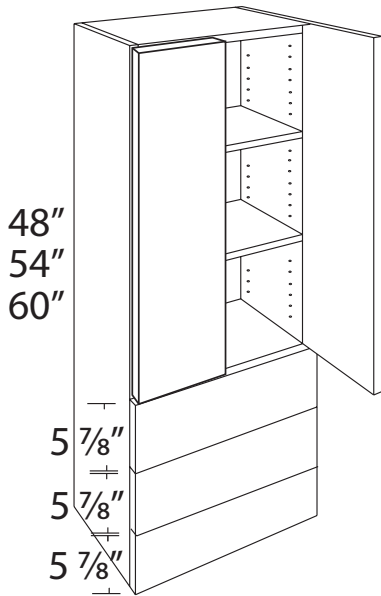
1 Drawer	Econ		Alvic, Egger			Painted			
48" Height	A	B	C	D	E	F	G	H	I
WC1D1248	924	977	1088	1197	1305	1256	1317	1370	1437
WC1D1548	949	1004	1117	1229	1340	1290	1352	1407	1475
WC1D1848	974	1031	1146	1261	1375	1324	1387	1444	1513
WC1D2148	999	1058	1175	1293	1410	1358	1422	1481	1551
WC1D2448	1023	1084	1204	1324	1445	1390	1456	1517	1590
WC1D2748	1047	1109	1232	1355	1478	1423	1491	1552	1626
WC1D3048	1072	1135	1261	1387	1513	1456	1526	1589	1664
WC1D3348	1096	1160	1289	1418	1547	1489	1560	1624	1702
WC1D3648	1120	1186	1318	1450	1582	1523	1595	1661	1740
54" Height	A	B	C	D	E	F	G	H	I
WC1D1254	943	1000	1109	1221	1330	1284	1342	1397	1463
WC1D1554	971	1029	1142	1257	1370	1321	1382	1439	1507
WC1D1854	999	1058	1175	1293	1410	1358	1422	1481	1551
WC1D2154	1027	1087	1208	1329	1450	1395	1462	1523	1595
WC1D2454	1055	1117	1241	1365	1489	1433	1502	1563	1638
WC1D2754	1083	1147	1274	1401	1529	1471	1541	1605	1682
WC1D3054	1110	1175	1306	1437	1567	1509	1581	1645	1724
WC1D3354	1138	1205	1339	1473	1607	1547	1620	1687	1768
WC1D3654	1166	1235	1372	1509	1646	1584	1660	1728	1811
60" Height	A	B	C	D	E	F	G	H	I
WC1D1260	956	1014	1125	1239	1350	1301	1365	1418	1483
WC1D1560	986	1045	1160	1277	1392	1341	1406	1462	1530
WC1D1860	1016	1076	1195	1315	1434	1381	1447	1506	1577
WC1D2160	1046	1107	1230	1353	1476	1421	1488	1550	1624
WC1D2460	1075	1139	1265	1392	1518	1462	1531	1594	1670
WC1D2760	1105	1170	1300	1430	1560	1502	1573	1638	1716
WC1D3060	1136	1202	1336	1470	1603	1544	1617	1683	1763
WC1D3360	1165	1234	1371	1508	1645	1583	1659	1727	1810
WC1D3660	1195	1265	1406	1547	1687	1624	1702	1771	1856

- No finished sides are included
- 48" high cabinet has 2 adjustable shelves
- 54" & 60" high cabinet each have 3 adjustable shelves



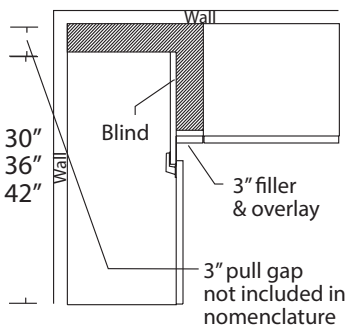
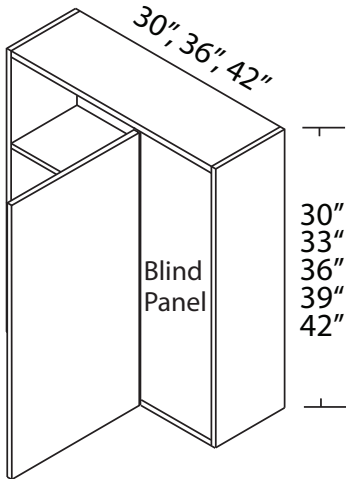
2 Drawer	Econ		Alvic, Egger			Painted			
48" Height	A	B	C	D	E	F	G	H	I
WC2D1248	949	1004	1117	1229	1340	1290	1352	1407	1475
WC2D1548	974	1031	1146	1261	1375	1324	1387	1444	1513
WC2D1848	999	1058	1175	1293	1410	1358	1422	1481	1551
WC2D2148	1023	1084	1204	1324	1445	1390	1456	1517	1590
WC2D2448	1047	1109	1232	1355	1478	1423	1491	1552	1626
WC2D2748	1072	1135	1261	1387	1513	1456	1526	1589	1664
WC2D3048	1096	1160	1289	1418	1547	1489	1560	1624	1702
WC2D3348	1120	1186	1318	1450	1582	1523	1595	1661	1740
WC2D3648	1145	1212	1347	1482	1616	1556	1630	1697	1778
54" Height	A	B	C	D	E	F	G	H	I
WC2D1254	971	1029	1142	1257	1370	1321	1382	1439	1507
WC2D1554	999	1058	1175	1293	1410	1358	1422	1481	1551
WC2D1854	1027	1087	1208	1329	1450	1395	1462	1523	1595
WC2D2154	1055	1117	1241	1365	1489	1433	1502	1563	1638
WC2D2454	1083	1147	1274	1401	1529	1471	1541	1605	1682
WC2D2754	1110	1175	1306	1437	1567	1509	1581	1645	1724
WC2D3054	1138	1205	1339	1473	1607	1547	1620	1687	1768
WC2D3354	1166	1235	1372	1509	1646	1584	1660	1728	1811
WC2D3654	1194	1265	1405	1546	1686	1623	1701	1770	1855
60" Height	A	B	C	D	E	F	G	H	I
WC2D1260	986	1045	1160	1277	1392	1341	1406	1462	1530
WC2D1560	1016	1076	1195	1315	1434	1381	1447	1506	1577
WC2D1860	1046	1107	1230	1353	1476	1421	1488	1550	1624
WC2D2160	1075	1139	1265	1392	1518	1462	1531	1594	1670
WC2D2460	1105	1170	1300	1430	1560	1502	1573	1638	1716
WC2D2760	1136	1202	1336	1470	1603	1544	1617	1683	1763
WC2D3060	1165	1234	1371	1508	1645	1583	1659	1727	1810
WC2D3360	1195	1265	1406	1547	1687	1624	1702	1771	1856
WC2D3660	1225	1297	1441	1585	1729	1664	1744	1815	1902

- No finished sides are included
- 48" & 54" high cabinets have 2 adjustable shelves each
- 60" high cabinets have 3 adjustable shelves



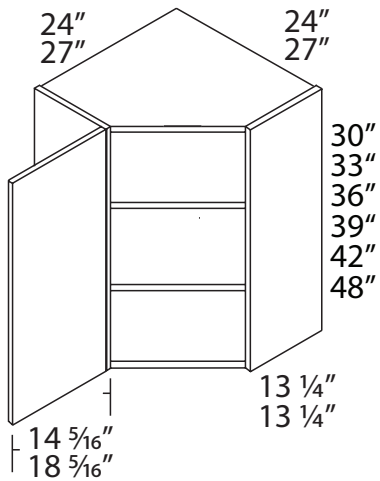
	Econ		Alvic, Egger			Painted			
48" Height	A	B	C	D	E	F	G	H	I
WC3D1248	974	1031	1146	1261	1375	1324	1387	1444	1513
WC3D1548	999	1058	1175	1293	1410	1358	1422	1481	1551
WC3D1848	1023	1084	1204	1324	1445	1390	1456	1517	1590
WC3D2148	1047	1109	1232	1355	1478	1423	1491	1552	1626
WC3D2448	1072	1135	1261	1387	1513	1456	1526	1589	1664
WC3D2748	1096	1160	1289	1418	1547	1489	1560	1624	1702
WC3D3048	1120	1186	1318	1450	1582	1523	1595	1661	1740
WC3D3348	1145	1212	1347	1482	1616	1556	1630	1697	1778
WC3D3648	1169	1238	1375	1513	1650	1589	1664	1733	1815
54" Height	A	B	C	D	E	F	G	H	I
WC3D1254	999	1058	1175	1293	1410	1358	1422	1481	1551
WC3D1554	1027	1087	1208	1329	1450	1395	1462	1523	1595
WC3D1854	1055	1117	1241	1365	1489	1433	1502	1563	1638
WC3D2154	1083	1147	1274	1401	1529	1471	1541	1605	1682
WC3D2454	1110	1175	1306	1437	1567	1509	1581	1645	1724
WC3D2754	1138	1205	1339	1473	1607	1547	1620	1687	1768
WC3D3054	1166	1235	1372	1509	1646	1584	1660	1728	1811
WC3D3354	1194	1265	1405	1546	1686	1623	1701	1770	1855
WC3D3654	1222	1294	1438	1582	1726	1661	1740	1812	1899
60" Height	A	B	C	D	E	F	G	H	I
WC3D1260	1016	1076	1195	1315	1434	1381	1447	1506	1577
WC3D1560	1046	1107	1230	1353	1476	1421	1488	1550	1624
WC3D1860	1075	1139	1265	1392	1518	1462	1531	1594	1670
WC3D2160	1105	1170	1300	1430	1560	1502	1573	1638	1716
WC3D2460	1136	1202	1336	1470	1603	1544	1617	1683	1763
WC3D2760	1165	1234	1371	1508	1645	1583	1659	1727	1810
WC3D3060	1195	1265	1406	1547	1687	1624	1702	1771	1856
WC3D3360	1225	1297	1441	1585	1729	1664	1744	1815	1902
WC3D3660	1255	1328	1476	1624	1771	1705	1786	1860	1948

- Blind panels are finished in the color of the order.
- Nomenclature width is the actual cabinet width. Allow clearance between the wall and side of the cabinet.
- Side indication in nomenclature indicates Blind\Hinge side; e.g. BBL42L has the blind on the left as shown above, and the door on the right (hinged on the blind panel).
- We recommend that blind cabinets be pulled 3" from the adjoining wall to allow proper clearance for opening doors.
- Application may require use of a filler. Fillers must be ordered separately. Overlays may be desired to provide continuity.
- 30" wide - Door Width 16 7/8"
- 36" wide - Door Width 22 7/8"
- 42" wide - Door Width 2x 14 3/8"
- 48" wide - Door Width 2x 17 3/8"



	Econ		Alvic, Egger			Painted			
30" Wide	A	B	C	D	E	F	G	H	I
WBC3030L	541	572	636	700	763	735	770	801	839
WBC3030R	541	572	636	700	763	735	770	801	839
WBC3033L	557	590	655	721	786	757	793	825	865
WBC3033R	557	590	655	721	786	757	793	825	865
WBC3036L	574	608	675	743	810	780	817	851	891
WBC3036R	574	608	675	743	810	780	817	851	891
WBC3039L	589	624	693	762	832	800	838	874	915
WBC3039R	589	624	693	762	832	800	838	874	915
WBC3042L	638	675	750	825	900	866	908	945	990
WBC3042R	638	675	750	825	900	866	908	945	990
36" Wide									
WBC3630L	581	616	684	752	821	790	827	862	903
WBC3630R	581	616	684	752	821	790	827	862	903
WBC3633L	599	635	705	776	846	815	854	888	931
WBC3633R	599	635	705	776	846	815	854	888	931
WBC3636L	620	656	729	802	875	842	882	919	963
WBC3636R	620	656	729	802	875	842	882	919	963
WBC3639L	638	675	750	825	900	866	908	945	990
WBC3639R	638	675	750	825	900	866	908	945	990
WBC3642L	692	733	814	895	977	940	985	1026	1075
WBC3642R	692	733	814	895	977	940	985	1026	1075
42" Wide									
WBC4230L	649	687	763	839	916	881	923	962	1008
WBC4230R	649	687	763	839	916	881	923	962	1008
WBC4233L	669	708	787	866	944	909	953	991	1038
WBC4233R	669	708	787	866	944	909	953	991	1038
WBC4236L	689	729	810	891	972	936	980	1021	1069
WBC4236R	689	729	810	891	972	936	980	1021	1069
WBC4239L	710	752	835	919	1002	965	1011	1052	1102
WBC4239R	710	752	835	919	1002	965	1011	1052	1102
WBC4242L	755	799	888	977	1066	1026	1075	1119	1173
WBC4242R	755	799	888	977	1066	1026	1075	1119	1173
48" Wide									
WBC4830L	717	758	842	926	1011	972	1019	1062	1113
WBC4830R	717	758	842	926	1011	972	1019	1062	1113
WBC4833L	739	781	869	956	1042	1003	1052	1094	1145
WBC4833R	739	781	869	956	1042	1003	1052	1094	1145
WBC4836L	758	802	891	980	1069	1030	1078	1123	1175
WBC4836R	758	802	891	980	1069	1030	1078	1123	1175
WBC4839L	782	829	920	1013	1104	1064	1114	1159	1214
WBC4839R	782	829	920	1013	1104	1064	1114	1159	1214
WBC4842L	818	865	962	1059	1155	1112	1165	1212	1271
WBC4842R	818	865	962	1059	1155	1112	1165	1212	1271

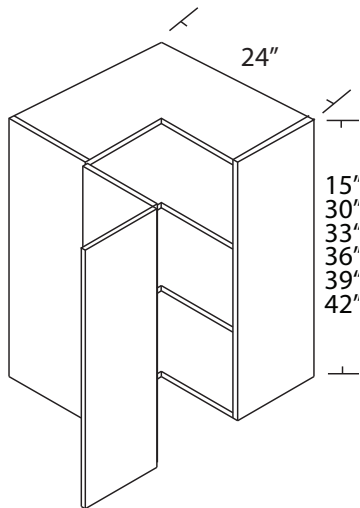
- Cabinets have 13.25" ends
- Side panels are extended forward 1/4" to provide adequate spacing for doors to open
- Sides are finished for color continuity
- Bottoms and back are inset 1/4" to allow easier squaring in corner
- Side panels will have screws (set back at least 3" from front of cabinet) unless specified as an exposed end



	Econ		Alvic, Egger			Painted			
24" Diagonal	A	B	C	D	E	F	G	H	I
WDC2415	457	484	538	592	646	622	651	678	711
WDC2418	477	505	561	617	673	648	679	707	740
WDC2430	641	672	708	779	850	818	857	893	935
WDC2433	621	658	731	804	877	844	884	921	965
WDC2436	722	759	754	829	905	870	912	950	996
WDC2439	775	816	776	854	931	897	939	978	1024
WDC2442	865	909	838	922	1006	968	1014	1056	1107
WDC2448	763	808	898	988	1078	1037	1087	1132	1186
27" Diagonal	A	B	C	D	E	F	G	H	I
WDC2715	485	514	571	628	685	659	691	719	754
WDC2718	507	536	596	656	715	689	722	751	787
WDC2730	655	693	770	847	924	889	932	970	1016
WDC2733	676	716	795	875	954	919	963	1002	1049
WDC2736	698	739	821	903	985	948	993	1034	1084
WDC2739	719	761	846	931	1015	978	1024	1066	1117
WDC2742	786	833	925	1018	1110	1069	1120	1166	1221
WDC2748	837	887	985	1084	1182	1138	1192	1241	1300

WALL - EASY REACH

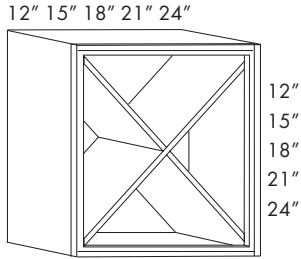
- Doors hinge together at the center
- 170° opening



	Econ		Alvic, Egger			Painted			
Easy Reach	A	B	C	D	E	F	G	H	I
WER2415	695	736	818	900	982	945	990	1031	1080
WER2418	717	759	843	927	1012	973	1020	1063	1113
WER2430	561	592	1003	1103	1204	1158	1213	1264	1324
WER2433	873	924	1027	1130	1232	1187	1243	1294	1355
WER2436	635	673	1050	1155	1260	1213	1271	1323	1386
WER2439	912	966	1073	1180	1288	1239	1298	1352	1417
WER2442	761	804	1236	1360	1483	1428	1496	1557	1631

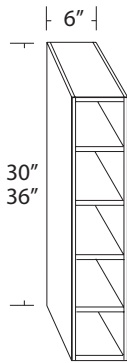
- Cabinet includes integrated face frame to finish at 13.875" deep
- Finished Interior included on all Wine cabinets
- Painted Wine cabinets do not come finished on the exterior - must be specified.

	Econ		Alvic, Egger			Painted			
Wine Rack-Paint	A	B	C	D	E	F	G	H	I
WXC1212	--	--	--	--	--	1721	1721	1721	1721
WXC1515	--	--	--	--	--	1910	1910	1910	1910
WXC1818	--	--	--	--	--	2088	2088	2088	2088
WXC2121	--	--	--	--	--	2274	2274	2274	2274
WXC2424	--	--	--	--	--	2457	2457	2457	2457



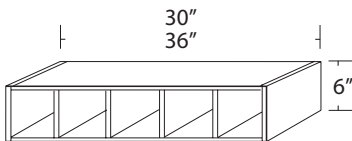
- 24" high = 3 cubbies • 30" high = 4 cubbies • 36" high = 5 cubbies • 42" high = 6 cubbies
- Finished Interior included on all Wine Cubby cabinets
- One side of dividers may be matte (see finished side availability on color chart - pg I:14)
- Laminate Wine cabinets must be specified if finished end(s) / top / bottom
- Painted Wine Cubby cabinets do not come finished on the exterior - must be specified.

Vertical	Econ		Alvic, Egger			Painted			
	A	B	C	D	E	F	G	H	I
WWC624	249	263	293	322	352	861	861	861	861
WWC630	270	286	318	350	382	1050	1050	1050	1050
WWC636	293	311	345	380	414	1240	1240	1240	1240
WWC642	318	338	374	413	449	1430	1430	1430	1430

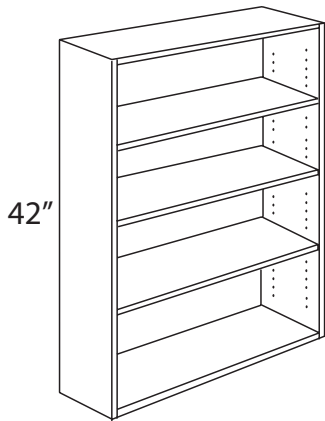
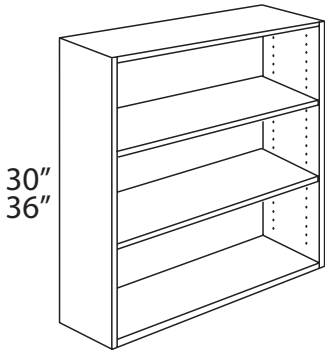
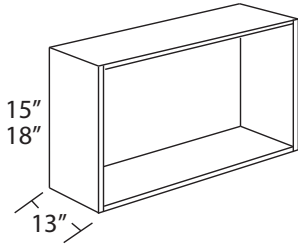


- 24" wide = 3 cubbies • 30" wide = 4 cubbies • 36" wide = 5 cubbies • 42" wide = 6 cubbies
- Finished Interior included on all Wine Cubby cabinets
- One side of dividers may be matte (see finished side availability on color chart - pg I:14)
- Laminate Wine cabinets must be specified if finished end(s) / top / bottom
- Painted Wine Cubby cabinets do not come finished on the exterior - must be specified.

Horizontal	Econ		Alvic, Egger			Painted			
	A	B	C	D	E	F	G	H	I
WWCH246	249	263	293	322	352	861	861	861	861
WWCH306	270	286	318	350	382	1050	1050	1050	1050
WWCH366	293	311	345	380	414	1240	1240	1240	1240
WWCH426	318	338	374	413	449	1430	1430	1430	1430



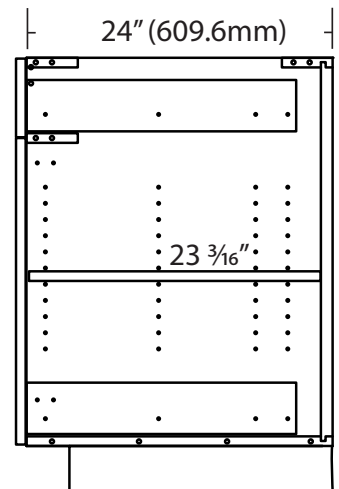
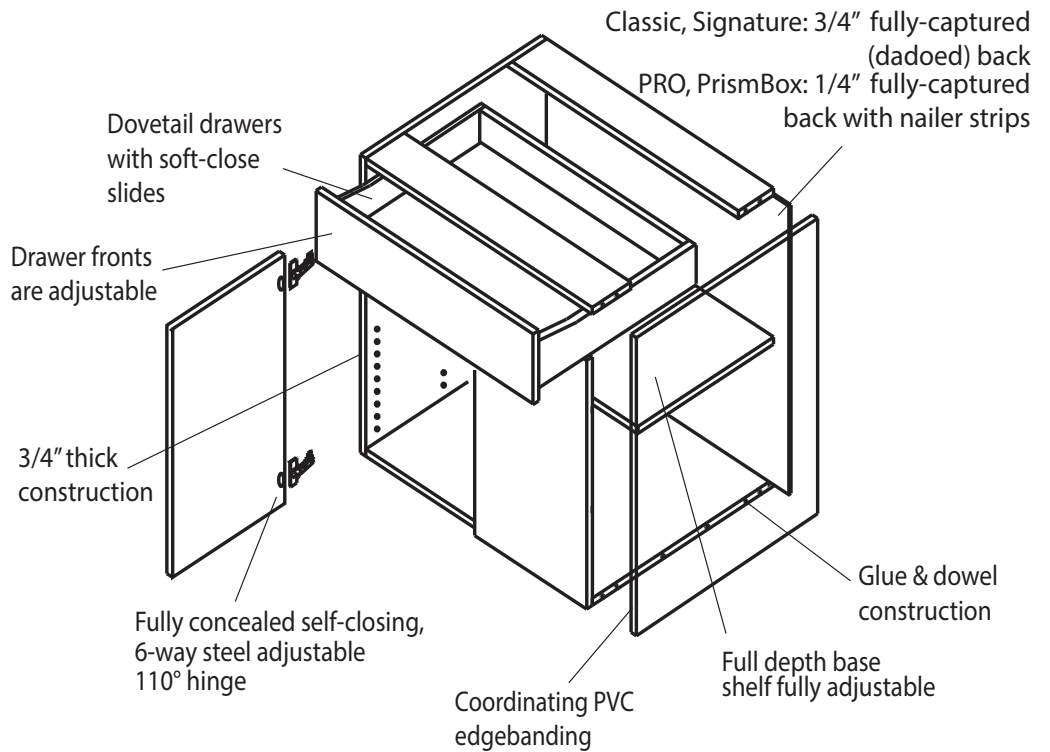
- Includes Finished interior
- Textured melamines that are not 2-sided will have the smooth side inside unless otherwise noted.
- Paint is interior only. Exterior may be finished for additional upcharges
- NOTE: Grain direction selection will determine orientation of the grain on the back panel and end panels. Top, bottom and shelves will always have the grain in the width direction.



	Econ		Alvic, Egger			Painted			
15" High	A	B	C	D	E	F	G	H	I
WSU3015	317	336	373	410	448	493	493	493	493
WSU3315	329	348	387	426	464	510	510	510	510
WSU3615	341	361	401	441	481	529	529	529	529
18" High	A	B	C	D	E	F	G	H	I
WSU3018	330	349	388	427	466	513	513	513	513
WSU3318	343	364	404	444	485	534	534	534	534
WSU3618	356	377	419	461	503	553	553	553	553
30" High	A	B	C	D	E	F	G	H	I
WSU1230	315	334	371	408	445	490	490	490	490
WSU1530	337	357	397	437	476	524	524	524	524
WSU1830	360	381	423	465	508	559	559	559	559
WSU2130	382	404	449	494	539	593	593	593	593
WSU2430	404	428	475	523	570	627	627	627	627
WSU2730	426	451	501	551	601	661	661	661	661
WSU3030	448	474	527	580	632	695	695	695	695
WSU3330	471	499	554	609	665	732	732	732	732
WSU3630	492	521	579	637	695	765	765	765	765
36" High	A	B	C	D	E	F	G	H	I
WSU1236	347	367	408	449	490	539	539	539	539
WSU1536	373	395	439	483	527	580	580	580	580
WSU1836	400	424	471	518	565	622	622	622	622
WSU2136	427	452	502	552	602	662	662	662	662
WSU2436	454	481	534	587	641	705	705	705	705
WSU2736	480	509	565	622	678	746	746	746	746
WSU3036	507	536	596	656	715	787	787	787	787
WSU3336	534	565	628	691	754	829	829	829	829
WSU3636	561	594	660	726	792	871	871	871	871
42" High	A	B	C	D	E	F	G	H	I
WSU1242	366	387	430	473	516	568	568	568	568
WSU1542	394	417	463	509	556	612	612	612	612
WSU1842	422	446	496	546	595	655	655	655	655
WSU2142	450	476	529	582	635	699	699	699	699
WSU2442	478	506	562	618	674	741	741	741	741
WSU2742	506	536	595	655	714	785	785	785	785
WSU3042	535	566	629	692	755	831	831	831	831
WSU3342	563	596	662	728	794	873	873	873	873
WSU3642	591	626	695	765	834	917	917	917	917

BASE CABINET STANDARDS

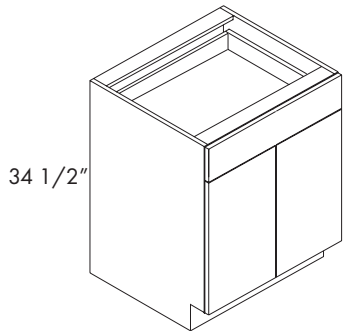
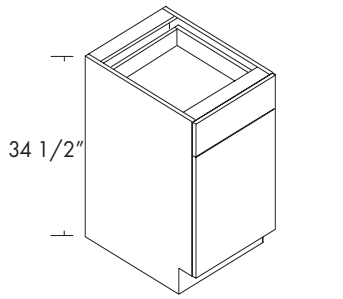
- **Depth is box only, not including doors.**
- Base cabinets are 24" deep unless otherwise specified. Depth with doors is 24-7/8".
- Base cabinets are designed to finish at 34 1/2" tall including the adjustable Axilo plinths (Classic). The face size matches 30" tall wall cabinets. **Always indicate adjusted heights including the toe kick.**
- Signature, PRO-Series and PrismBox have an integrated 3 3/8" deep x 4 1/2" high toe kick area with nailer
- Classic cabinets under 12" wide will only use the 2 corner legs, and will need to be attached to another cabinet for stability.
- Base shelves are full depth.
- All reveals are 1/16" (1/8" between double doors).
- Drawer boxes do not increase in depth when cabinet depth is increased over 24"
- Cabinet backside finishing is not available.
- Cabinet specifications may change without notice.



	BSFF	B(S)_FH	B(S)	B3D	B2D	B4D
30"	10 3/8"	29 7/8"	6 1/4"	6 1/4"	14 7/8"	6 1/4"
	19 3/8"		23 1/2"	11 1/16"		6 1/4"
					11 1/16"	6 1/4"
						10 3/4"

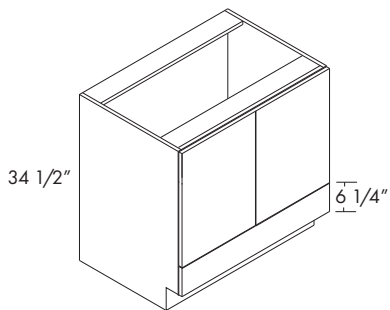
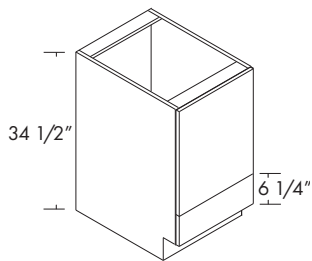
Classic 4 1/2" toe kick space uses Hafele Axilo plinths

BASE DOOR/DRAWER

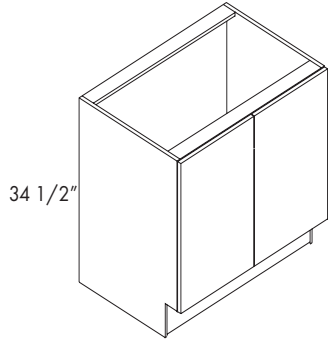
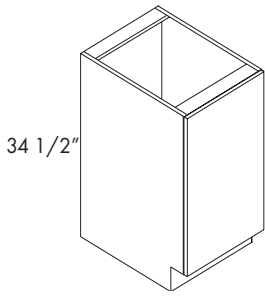


	Econ		Alvic, Egger			Painted			
Single Door	A	B	C	D	E	F	G	H	I
B9	650	689	765	842	918	884	926	964	1010
B12	410	425	814	895	977	940	985	1026	1075
B15	463	483	856	942	1027	989	1036	1078	1130
B18	513	536	897	987	1076	1036	1086	1130	1184
B21	563	591	940	1034	1128	1086	1137	1184	1241
B24-1	626	657	988	1087	1186	1141	1196	1245	1305
Double Door	A	B	C	D	E	F	G	H	I
B24	626	657	1036	1140	1243	1197	1254	1305	1367
B27	677	712	1079	1187	1295	1246	1306	1360	1425
B30	730	769	1121	1233	1345	1295	1356	1412	1480
B33	783	826	1163	1279	1396	1343	1407	1466	1536
B36	836	882	1205	1326	1446	1392	1459	1518	1591
B39	1064	1127	1252	1377	1502	1446	1515	1577	1652
B42	1091	1155	1283	1411	1540	1482	1552	1617	1694
B45	1118	1183	1314	1445	1578	1518	1589	1657	1736
B48	1145	1211	1345	1479	1616	1554	1626	1697	1778

BASE - BOTTOM DRAWER



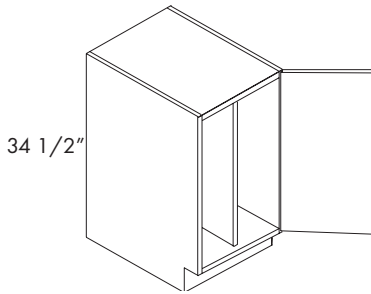
	Econ		Alvic, Egger			Painted			
Single Door	A	B	C	D	E	F	G	H	I
B9	650	689	765	842	918	884	926	964	1010
B12	692	733	814	895	977	940	985	1026	1075
B15	728	770	856	942	1027	989	1036	1078	1130
B18	762	807	897	987	1076	1036	1086	1130	1184
B21	799	846	940	1034	1128	1086	1137	1184	1241
B24-1	840	889	988	1087	1186	1141	1196	1245	1305
Bottom Drawer	A	B	C	D	E	F	G	H	I
BBD24	881	932	1036	1140	1243	1197	1254	1305	1367
BBD27	917	971	1079	1187	1295	1246	1306	1360	1425
BBD30	953	1009	1121	1233	1345	1295	1356	1412	1480
BBD33	989	1047	1163	1279	1396	1343	1407	1466	1536
BBD36	1024	1085	1205	1326	1446	1392	1459	1518	1591
BBD39	1064	1127	1252	1377	1502	1446	1515	1577	1652
BBD42	1091	1155	1283	1411	1540	1482	1552	1617	1694
BBD45	1118	1183	1314	1445	1578	1518	1589	1657	1736
BBD48	1145	1211	1345	1479	1616	1554	1626	1697	1778



	Econ		Alvic, Egger			Painted			
Single Door	A	B	C	D	E	F	G	H	I
B6FH	431	456	507	558	608	586	614	638	669
B9FH	459	486	540	594	648	624	653	680	713
B12FH	339	355	573	630	688	662	693	722	757
B15FH	385	404	602	662	722	695	728	758	794
B18FH	539	571	634	697	761	732	767	799	837
B21FH	479	506	667	734	800	771	807	840	880
B24FH-1	535	567	740	814	888	855	895	932	977
Double Door	Econ		Alvic, Egger			Painted			
B24	535	567	1036	1140	1243	1197	1254	1305	1367
B27	591	626	1079	1187	1295	1246	1306	1360	1425
B30	639	678	1121	1233	1345	1295	1356	1412	1480
B33	688	731	1163	1279	1396	1343	1407	1466	1536
B36	736	783	1205	1326	1446	1392	1459	1518	1591
B39	1064	1127	1252	1377	1502	1446	1515	1577	1652
B42	1091	1155	1283	1411	1540	1482	1552	1617	1694
B45	1118	1183	1314	1445	1578	1518	1589	1657	1736
B48	1145	1211	1345	1479	1616	1554	1626	1697	1778

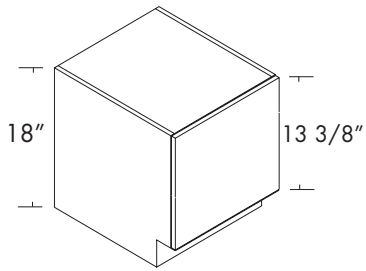
BASE - TRAY

• Dividers are not adjustable.



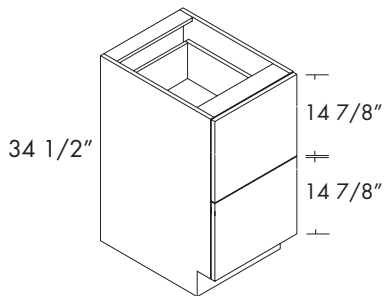
	Econ		Alvic, Egger			Painted			
Tray Base	A	B	C	D	E	F	G	H	I
BTD9 (1 Div)	709	736	790	844	898	874	903	930	963
BTD12 (2 Div)	987	1016	1073	1130	1188	1162	1193	1222	1257
BTD15 (3 Div)	1262	1292	1352	1412	1472	1445	1478	1508	1544

•8" high drawer box

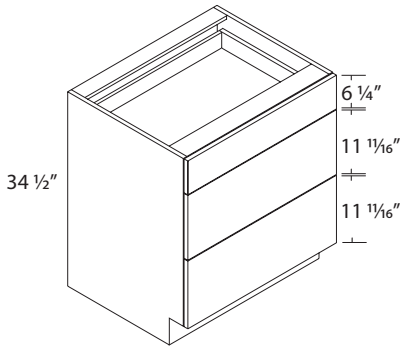


1 Drawer	Econ		Alvic, Egger			Painted			
	A	B	C	D	E	F	G	H	I
B1D12	473	501	557	613	668	643	674	702	735
B1D15	500	529	588	647	706	679	712	741	776
B1D18	527	558	620	682	744	716	750	781	818
B1D21	553	586	651	716	781	752	788	820	859
B1D24	580	614	683	751	820	789	826	860	902
B1D27	607	643	714	785	857	824	864	899	943
B1D30	634	671	746	820	895	861	902	940	985
B1D33	661	700	778	855	934	898	941	980	1027
B1D36	674	714	793	872	952	916	959	999	1047
B1D39	688	728	809	890	970	934	979	1018	1067
B1D42	701	742	824	907	988	953	998	1037	1087

•8" high drawer box

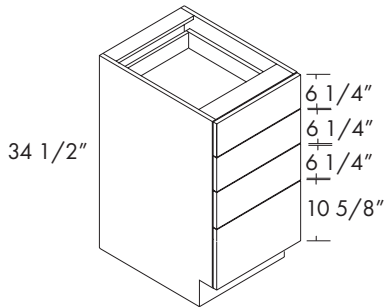


2 Drawer	Econ		Alvic, Egger			Painted			
	A	B	C	D	E	F	G	H	I
B2D12	789	835	928	1021	1114	1072	1123	1170	1225
B2D15	833	882	980	1078	1176	1132	1186	1235	1294
B2D18	878	930	1033	1136	1240	1193	1250	1302	1364
B2D21	922	977	1085	1194	1302	1254	1313	1367	1432
B2D24	967	1024	1138	1252	1366	1315	1377	1434	1503
B2D27	1012	1071	1190	1309	1428	1374	1440	1499	1571
B2D30	799	838	1243	1367	1492	1435	1504	1567	1641
B2D33	854	897	1296	1425	1556	1496	1568	1634	1712
B2D36	909	956	1322	1454	1586	1527	1599	1665	1745
B2D39	1146	1213	1348	1483	1616	1557	1631	1697	1778
B2D42	1168	1236	1374	1512	1646	1588	1663	1728	1811



(1) 4" high drawer box and (2) 6" high drawer boxes

3 Drawer	Econ		Alvic, Egger			Painted			
	A	B	C	D	E	F	G	H	I
B3D12	549	565	1121	1233	1345	1295	1356	1412	1480
B3D15	606	626	1187	1306	1424	1371	1437	1495	1566
B3D18	663	686	1252	1377	1502	1446	1515	1577	1652
B3D21	720	747	1318	1450	1582	1523	1595	1661	1740
B3D24	777	809	1384	1522	1661	1598	1674	1744	1827
B3D27	834	869	1450	1595	1740	1675	1755	1827	1914
B3D30	894	933	1515	1667	1818	1750	1834	1909	2000
B3D33	952	995	1581	1739	1897	1826	1913	1992	2087
B3D36	1011	1058	1648	1813	1978	1904	1994	2077	2176
B3D39	1458	1543	1715	1887	2059	1981	2076	2162	2265
B3D42	1515	1603	1782	1961	2140	2059	2157	2247	2354

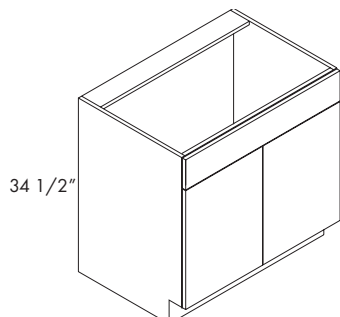
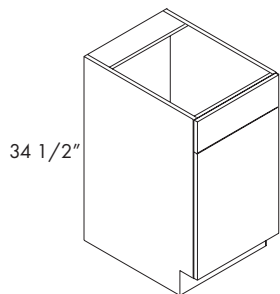


(3) 4" high drawer boxes and (1) 6" high drawer box

4 Drawer	Econ		Alvic, Egger			Painted			
	A	B	C	D	E	F	G	H	I
B4D12	1043	1104	1227	1350	1472	1418	1485	1546	1619
B4D15	1424	1508	1675	1843	2010	1935	2027	2111	2211
B4D18	1450	1535	1706	1877	2047	1971	2065	2149	2252
B4D21	1499	1588	1764	1940	2117	2037	2134	2223	2329
B4D24	1469	1555	1728	1901	2074	1996	2091	2178	2281
B4D27	1480	1567	1741	1915	2089	2011	2107	2193	2298
B4D30	1426	1510	1678	1846	2014	1938	2031	2115	2215
B4D33	1476	1562	1736	1910	2083	2006	2101	2187	2291
B4D36	1547	1638	1820	2002	2184	2102	2202	2293	2402
B4D39	1618	1714	1904	2094	2285	2199	2303	2399	2514
B4D42	1689	1790	1988	2186	2386	2295	2405	2505	2625

BASE - SINK (FALSE DRAWER FRONT)

- Does not include a shelf or shelf holes

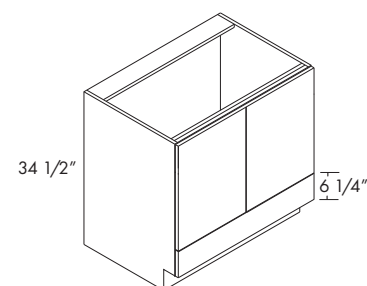
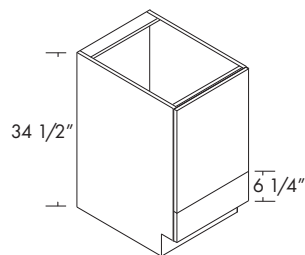


Sink Base	Econ		Alvic, Egger			Painted			
Single Door	A	B	C	D	E	F	G	H	I
BS12	560	592	658	724	790	759	797	831	870
BS15	569	602	669	736	803	772	810	844	884
BS18	578	612	680	748	816	785	823	857	898
BS21	587	622	691	760	829	798	836	870	912
BS24-1	596	632	702	772	842	811	849	883	926

Sink Base	Econ		Alvic, Egger			Painted			
Double Door	A	B	C	D	E	F	G	H	I
BS24	496	527	757	833	908	875	916	953	999
BS27	540	575	783	861	940	904	947	987	1034
BS30	630	669	808	889	970	933	978	1019	1067
BS33	676	719	835	919	1002	965	1011	1052	1102
BS36	722	768	860	946	1032	993	1041	1084	1135
BS39	768	814	904	994	1085	1044	1093	1139	1194
BS42	791	837	930	1023	1116	1074	1125	1172	1228
BS45	578	612	680	748	816	785	823	857	898
BS48	587	622	691	760	829	798	836	870	912

BASE - SINK - BOTTOM DRAWER

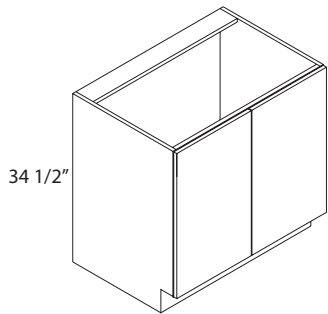
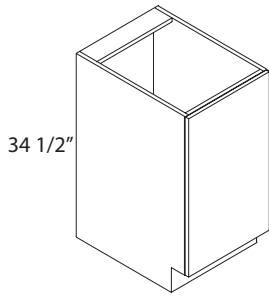
- Does not include shelf or shelf holes
- Includes a 6.75" Vanity Panel behind drawer front and top of door
- Standard 4" high drawer box with 6-1/4" high drawer front



Bottom Drawer	Econ		Alvic, Egger			Painted			
Single Door	A	B	C	D	E	F	G	H	I
BSBD12	560	592	658	724	790	759	797	831	870
BSBD15	569	602	669	736	803	772	810	844	884
BSBD18	578	612	680	748	816	785	823	857	898
BSBD21	587	622	691	760	829	798	836	870	912
BSBD24-1	596	632	702	772	842	811	849	883	926

Bottom Drawer	Econ	Prism, Alvic, Egger				Painted			
Double Door	A	B	C	D	E	F	G	H	I
BSBD24	881	932	1036	1140	1243	1197	1254	1305	1367
BSBD27	917	971	1079	1187	1295	1246	1306	1360	1425
BSBD30	953	1009	1121	1233	1345	1295	1356	1412	1480
BSBD33	989	1047	1163	1279	1396	1343	1407	1466	1536
BSBD36	1024	1085	1205	1326	1446	1392	1459	1518	1591
BSBD39	1064	1127	1252	1377	1502	1446	1515	1577	1652
BSBD42	1091	1155	1283	1411	1540	1482	1552	1617	1694
BSBD45	1131	1198	1330	1463	1596	1536	1609	1676	1756
BSBD48	1166	1235	1372	1509	1646	1584	1660	1729	1811

- Does not include shelf or shelf holes
- Includes a 6.75" Vanity Panel behind top of door

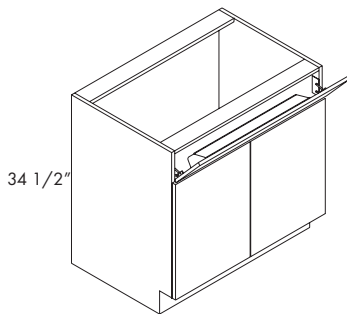
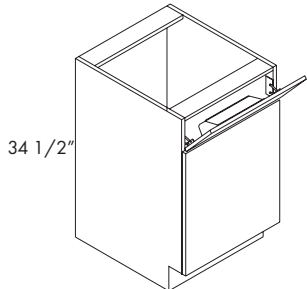


Full Height	Econ		Alvic, Egger			Painted			
Single Door	A	B	C	D	E	F	G	H	I
BS12FH	560	592	658	724	790	759	797	831	870
BS15FH	569	602	669	736	803	772	810	844	884
BS18FH	578	612	680	748	816	785	823	857	898
BS21FH	587	622	691	760	829	798	836	870	912
BS24FH-1	596	632	702	772	842	811	849	883	926

Full Height	Econ		Alvic, Egger			Painted			
Double Door	A	B	C	D	E	F	G	H	I
BS24FH	643	681	757	833	908	875	916	953	999
BS27FH	667	705	783	861	940	904	947	987	1034
BS30FH	687	727	808	889	970	933	978	1019	1067
BS33FH	710	752	835	919	1002	965	1011	1052	1102
BS36FH	731	774	860	946	1032	993	1041	1084	1135
BS39FH	768	814	904	994	1085	1044	1093	1139	1194
BS42FH	791	837	930	1023	1116	1074	1125	1172	1228
BS45FH	814	860	956	1052	1147	1104	1157	1205	1262
BS48FH	837	883	982	1081	1178	1134	1189	1238	1296

BASE - SINK - TILTOUT

- Does not include shelf or shelf holes
- Stainless Steel Tilt-Out

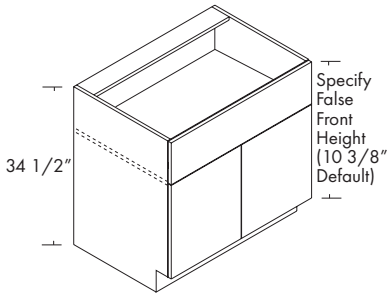


	Econ		Alvic, Egger			Painted			
Single wTTK	A	B	C	D	E	F	G	H	I
BS18TTK	749	793	881	969	1057	1017	1066	1110	1163
BS21TTK	758	803	892	981	1070	1030	1079	1124	1177
BS24TTK-1	767	813	903	993	1083	1043	1092	1138	1191

	Econ		Alvic, Egger			Painted			
Double wTTK	A	B	C	D	E	F	G	H	I
BS24TTK	815	863	959	1055	1151	1108	1161	1209	1266
BS27TTK	836	886	984	1082	1181	1136	1190	1240	1299
BS30TTK	859	909	1010	1111	1212	1167	1222	1273	1333
BS33TTK	881	932	1036	1140	1243	1197	1254	1305	1367
BS36TTK	903	956	1062	1168	1274	1226	1285	1338	1401
BS39TTK	939	995	1105	1216	1326	1277	1338	1392	1459
BS42TTK	962	1019	1132	1245	1358	1307	1370	1426	1494
BS45TTK	985	1043	1159	1274	1390	1337	1402	1460	1529
BS48TTK	1008	1067	1186	1303	1422	1367	1434	1494	1564

BASE - SINK - FARM FRONT

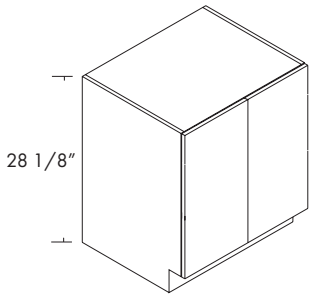
- Top inside depth = 10-1/16"
- Solid fixed shelf
- Slab Front height may be adjusted as needed at no upcharge - specify Slab Front height



	Econ		Alvic, Egger			Painted			
Farm Front	A	B	C	D	E	F	G	H	I
BSFF30	703	743	827	909	993	954	1000	1043	1092
BSFF33	725	767	853	938	1024	985	1032	1075	1126
BSFF36	722	768	879	967	1055	1015	1064	1108	1161
BSFF39	769	815	905	996	1086	1046	1096	1140	1195
BSFF42	791	839	931	1025	1117	1077	1128	1172	1229

BASE - RANGE

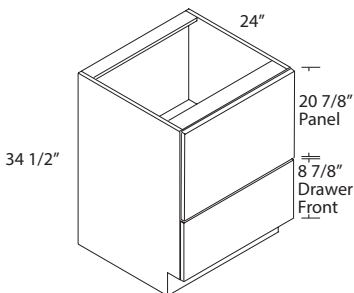
- Height may adjusted without an upcharge
- Includes solid top



	Econ		Alvic, Egger			Painted			
Range Base	A	B	C	D	E	F	G	H	I
BRB24	643	681	757	833	908	875	916	953	999
BRB27	666	705	783	861	940	904	947	987	1034
BRB30	687	727	808	889	970	933	978	1019	1067
BRB33	710	752	835	919	1002	965	1011	1052	1102
BRB36	731	774	860	946	1032	993	1041	1084	1135
BRB39	768	814	904	994	1085	1044	1093	1139	1194
BRB42	791	837	930	1023	1116	1074	1125	1172	1228

BASE - MICROWAVE

- Does not include shelf and shelf holes
- Does not include coordinated interior
- Oven panel is a coordinated 3/4" thick panel which must be field cut



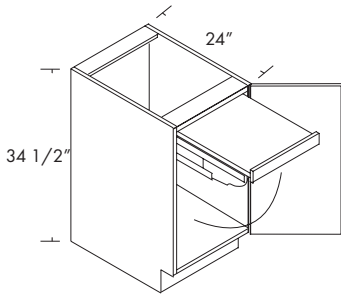
	Econ		Alvic, Egger			Painted			
Microwave	A	B	C	D	E	F	G	H	I
BMD24	881	932	1036	1140	1243	1197	1254	1305	1367
BMD27	917	971	1079	1187	1295	1246	1306	1360	1425
BMD30	866	905	1121	1233	1345	1295	1356	1412	1480
BMD33	989	1047	1163	1279	1396	1343	1407	1466	1536

- All wastebasket cabinets include a top drawer and a fixed shelf between the drawer and trash pullout unit
- Door comes mounted to pullout
 - » 15" = (1) 35qt Bin
 - » 18" = (2) 32qt Bins
 - » 21" = (2) 32qt Bins
 - » 24" = (2) 35qt Bins

	Econ		Alvic, Egger			Painted			
Soft-Close	A	B	C	D	E	F	G	H	I
BWBS15	1115	1181	1312	1443	1574	1515	1587	1653	1731
BWBS18	1125	1148	1480	1628	1776	1709	1791	1865	1954
BWBS21	1340	1418	1576	1734	1891	1821	1907	1986	2080
BWBS24	1529	1619	1799	1979	2159	2078	2177	2267	2375

BASE - MIXER SHELF

- Cabinet cannot be modified due to the pullout requirements

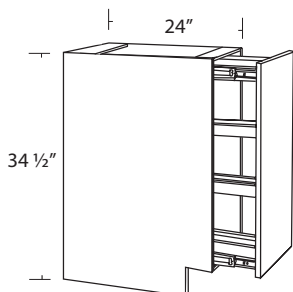


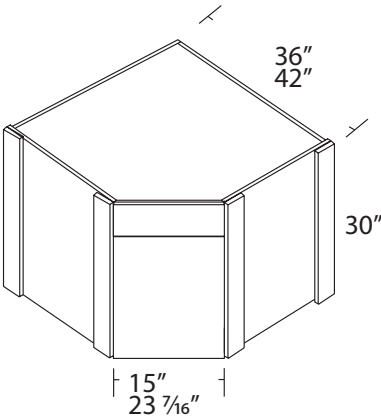
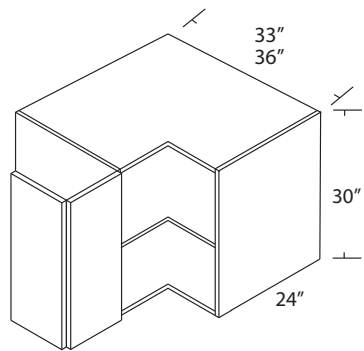
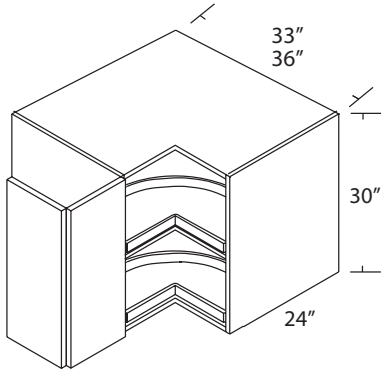
	Econ		Alvic, Egger			Painted			
Mixer Shelf	A	B	C	D	E	F	G	H	I
B18MX	1000	1007	1048	1063	1091	1116	1169	1146	1200

BASE - PULLOUT

- Door-mounted only
- Modifications not available
- Touchlatch not available
- Pull out may not be soft-close due to availability

	Econ	Prism, Alvic, Egger				Painted			
Single Door	A	B	C	D	E	F	G	H	I
BPO9	910	963	1070	1177	1284	1236	1295	1348	1412
BPO12	960	1016	1129	1242	1355	1304	1366	1423	1491





Lazy Susan	Econ		Alvic, Egger			Painted			
	A	B	C	D	E	F	G	H	I
BCLS3333	1193	1264	1404	1544	1685	1621	1698	1769	1854
BCLS3636	1495	1583	1759	1935	2111	2032	2129	2217	2322

- Doors hinge together at the center angle
- Bottoms and back are inset 1/4" to allow easier squaring in corner
- End panels may have exposed screws
- 28" shelf-mounted wood lazy susan shelves
- All Base Corner Cabinets use the Axilo Plinth System to allow for easier conveyance through doorways

Easy Reach	Econ		Alvic, Egger			Painted			
	A	B	C	D	E	F	G	H	I
BCER3333	802	850	944	1038	1133	1090	1142	1190	1246
BCER3636	854	905	1005	1106	1206	1161	1217	1266	1327

- Doors hinge together at the center angle
- Bottoms and back are inset 1/4" to allow easier squaring in corner
- End panels may have exposed screws
- Adjustable shelf
- All Base Corner Cabinets use the Axilo Plinth System to allow for easier conveyance through doorways

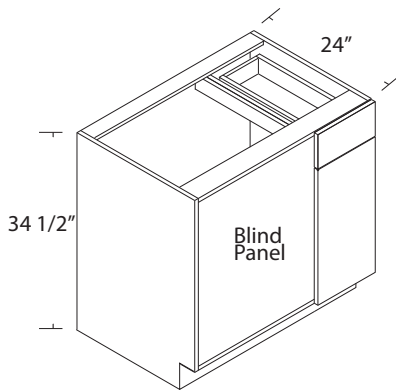
Diagonal	Econ		Alvic, Egger			Painted			
	A	B	C	D	E	F	G	H	I
With Drawer									
BCD3636	1034	1094	1216	1338	1459	1405	1472	1532	1605
BCD4242	1150	1218	1353	1488	1624	1562	1637	1705	1786
With Tilt-Out									
BCD3636TTK	973	1031	1145	1260	1374	1323	1386	1443	1511
BCD4242TTK	1025	1085	1206	1327	1447	1393	1460	1519	1592
With Lazy Susan (Full Height Doors)									
BCDLS3333	1193	1264	1404	1544	1685	1621	1698	1769	1854
BCDLS3636	1495	1583	1759	1935	2111	2032	2129	2217	2322

- End panels have integrated fillers. Integrated finished ends not available
- Bottoms and back are inset 1/4" to allow easier squaring in corner
- All Base Corner Cabinets use the Axilo Plinth System to allow for easier conveyance through doorways

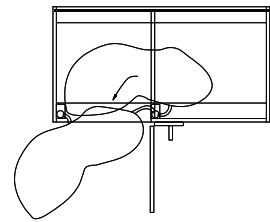
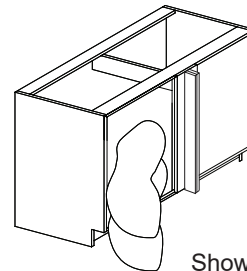
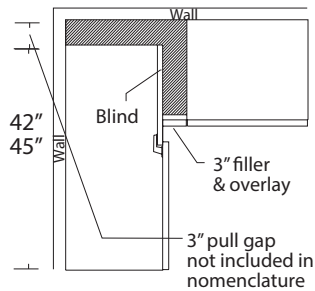
- Blind panels are finished in the color of the order.
- Nomenclature width is the actual width of the cabinet box.
- We recommend that blind cabinets be pulled 3" from the adjoining wall to allow proper clearance for opening doors
- Application may require use of a filler - must be ordered separately
- Overlays may be desired to provide continuity
- On single door cabinets, doors hinge on blind panel
- Swing Shelf cabinet has no drawer (Full Height Door Only)
- Side indication in nomenclature indicates Blind\Hinge side - for example: BBL42L has the blind on the left as shown above, and the door on the right (hinged on the blind panel).
- Left cabinet shown below

Code Width - Door Size

- » 36" = 11 7/8"
- » 39" = 14 7/8"
- » 42" = 17 7/8"
- » 45" = 20 7/8"
- » 48" = 23 7/8"



	Econ		Alvic, Egger			Painted			
Left Blind	A	B	C	D	E	F	G	H	I
BBL36L	780	824	917	1010	1100	1061	1111	1155	1210
BBL39L	801	847	942	1037	1130	1089	1141	1187	1243
BBL42L	822	870	967	1064	1160	1117	1170	1218	1276
BBL45L	843	893	992	1091	1190	1146	1200	1250	1309
BBL48L									
Right Blind	A	B	C	D	E	F	G	H	I
BBL36R	780	824	917	1010	1100	1061	1111	1155	1210
BBL39R	801	847	942	1037	1130	1089	1141	1187	1243
BBL42R	822	870	967	1064	1160	1117	1170	1218	1276
BBL45R	843	893	992	1091	1190	1146	1200	1250	1309
BBL48R									
Swing Shelf	A	B	C	D	E	F	G	H	I
BBLF42L	2417	2558	2843	3128	3412	3284	3441	3582	3753
BBLF42R	2417	2558	2843	3128	3412	3284	3441	3582	3753
BBLF45L	2438	2581	2868	3155	3442	3313	3471	3614	3786
BBLF45R	2438	2581	2868	3155	3442	3313	3471	3614	3786
BBLF48L	2459	2604	2893	3182	3472	3342	3501	3646	3819
BBLF48R	2459	2604	2893	3182	3472	3342	3501	3646	3819

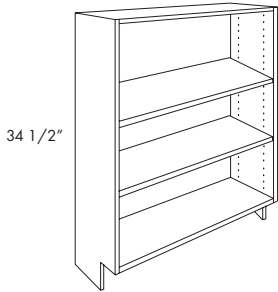


Shown Blind Right with Swing Shelf

BASE - SHELF UNIT

- Cabinet is 13" deep
- Includes Coordinating interior
- Dropedge recommended for shelves 30" wide and wider (see page I:17)
- Gloss finish will be to the inside
- Textured melamines will have the texture to the inside
- Cabinets assembled with screw construction
- For finished ends, use applied end panels - see the ACCESSORIES section
- **NOTE: Grain direction selection will determine orientation of the grain on the back panel and end panels. Top, bottom and shelves will always have the grain in the width direction.**

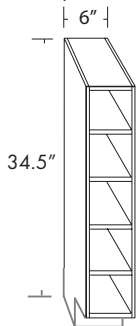
Base Shelf 13" Depth	Econ		Alvic, Egger			Painted			
	A	B	C	D	E	F	G	H	I
BSU9	413	437	486	535	583	563	588	612	640
BSU12	442	468	520	572	624	601	629	655	686
BSU15	471	499	554	609	665	639	670	698	732
BSU18	501	530	589	648	707	680	713	742	778
BSU21	530	561	623	685	748	719	754	785	823
BSU24	559	592	658	724	790	760	796	830	869
BSU27	588	623	692	761	830	799	837	872	913
BSU30	617	653	726	799	871	839	879	915	958
BSU33	647	685	761	837	913	879	921	959	1004
BSU36	675	715	794	873	953	917	960	1001	1048
BSU39	703	745	827	909	993	955	999	1043	1092
BSU42	731	775	860	945	1033	993	1038	1085	1136
BSU45	759	805	893	981	1073	1031	1077	1127	1180
BSU48	787	835	926	1017	1113	1069	1116	1169	1224



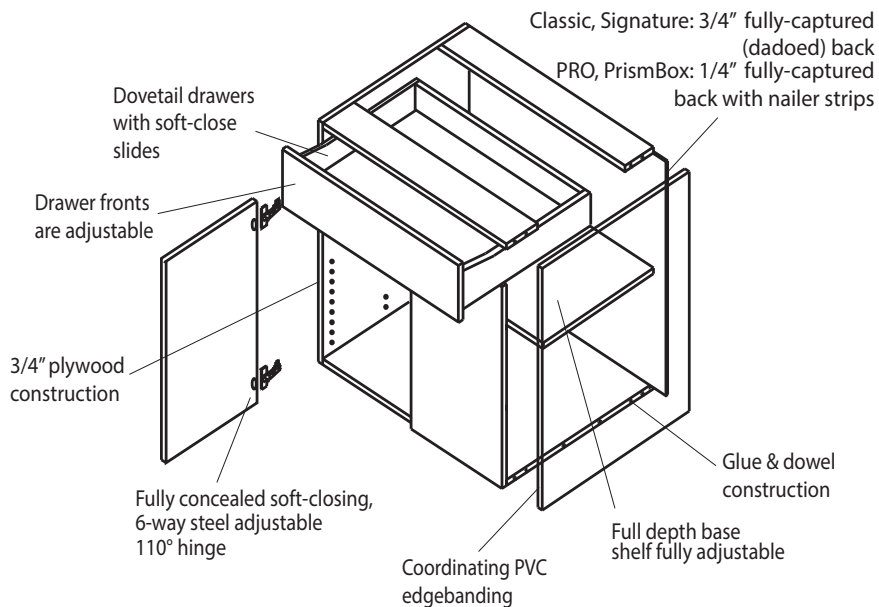
BASE - WINE CUBBY

- 34.5" high x 13" deep
- 5 cubbies
- Finished Interior included on all Wine cabinets
- Bottom of laminate dividers may be matte (see finished side availability on color chart)

Wine Cubbie	Econ		Alvic, Egger			Painted			
	A	B	C	D	E	F	G	H	I
BWC6	397	414	431	465	500	534	534	534	534

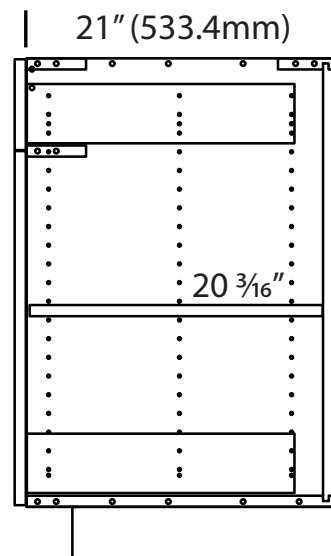


- Depth is box only, not including doors.
- Vanity cabinets are 21" deep unless otherwise specified. Depth with doors is 21-7/8".
- Vanity cabinets are designed to finish at 34 1/2" tall including the adjustable Axilo plinths. The face size matches 30" tall wall cabinets. Always indicate adjusted heights including the toe kick.
- Vanity shelves are full depth.
- All reveals are 1/16" (1/8" between double doors).
- Drawer boxes do not increase in depth when cabinet depth is increased over 24"
- Cabinet backside finishing is not available.
- Cabinet specifications may change without notice.
- **Floating Vanities require additional support. Prodigy Cabinetry is not responsible for failure due to inadequate installation.**



	V(S)_FH	V(S)	V3D
30"	29 7/8"	6 1/4"	6 1/4"
		23 1/2"	11 11/16"
			11 11/16"

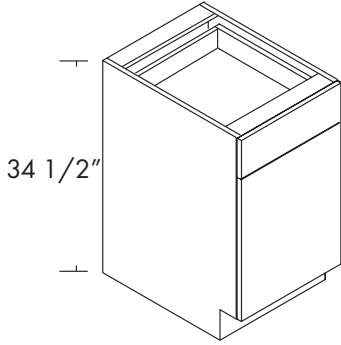
Classic: 4 1/2" toe kick space uses Hafele Axilo plinths



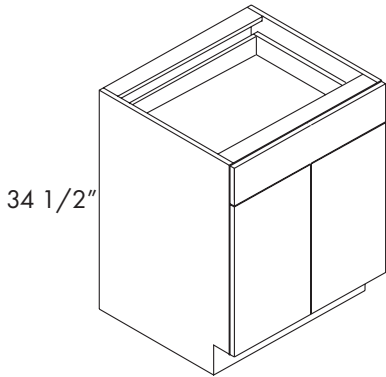
	V(S)_24FH	V(S)_24	V2D_24	V3D_24
23 5/8"	23 1/2"	6 1/4"	11 11/16"	6 1/4"
		17 1/8"		8 1/2"
				11 11/16"

Floating: No toe kick support included. Extra support below cabinets is recommended.

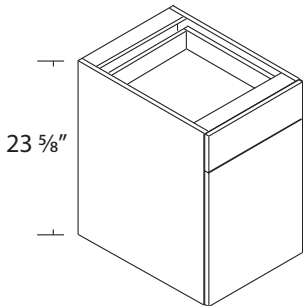
•Includes 1 shelf



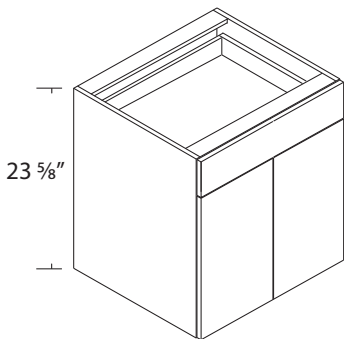
With Toe Kick	Econ		Alvic, Egger			Painted			
Single Door	A	B	C	D	E	F	G	H	I
V9	610	646	718	790	862	830	869	905	948
V12	634	671	746	821	895	862	903	940	985
V15	657	696	773	850	928	893	935	974	1021
V18	681	721	801	881	961	925	969	1009	1057
V21	704	745	828	911	994	957	1002	1044	1093
V24-1	803	851	945	1040	1134	1092	1144	1191	1247



With Toe Kick	Econ		Alvic, Egger			Painted			
Double Door	A	B	C	D	E	F	G	H	I
V24	803	851	945	1040	1134	1092	1144	1191	1247
V27	827	876	973	1070	1168	1124	1177	1226	1285
V30	850	900	1000	1100	1200	1155	1210	1260	1320
V33	874	925	1028	1131	1234	1188	1244	1296	1357
V36	897	950	1055	1161	1266	1219	1277	1329	1393
V39	920	975	1082	1191	1298	1250	1310	1362	1429
V42	943	1000	1109	1221	1330	1281	1343	1395	1465

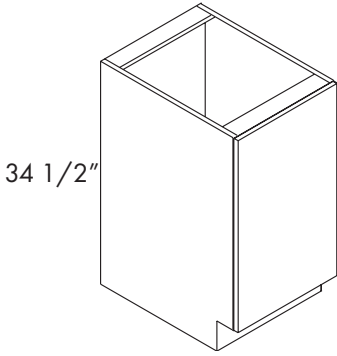


Floating	Econ		Alvic, Egger			Painted			
Single Door	A	B	C	D	E	F	G	H	I
V924	592	627	697	767	836	805	844	878	920
V1224	624	661	734	807	881	847	888	925	969
V1524	645	683	759	835	911	877	919	957	1002
V1824	666	706	784	862	941	905	948	988	1035
V2124	688	728	809	890	971	935	979	1020	1068
V2424-1	772	817	908	999	1090	1049	1099	1145	1199

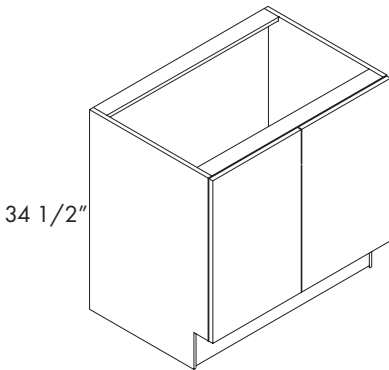


Floating	Econ		Alvic, Egger			Painted			
Double Door	A	B	C	D	E	F	G	H	I
V2424	772	817	908	999	1090	1049	1099	1145	1199
V2724	792	839	932	1025	1118	1076	1128	1174	1230
V3024	814	862	958	1054	1150	1107	1159	1208	1265
V3324	835	884	982	1080	1178	1134	1188	1237	1296
V3624	856	906	1007	1108	1208	1163	1219	1268	1329

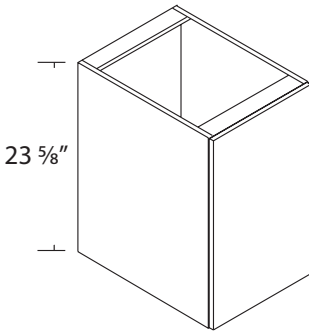
•Includes 1 shelf



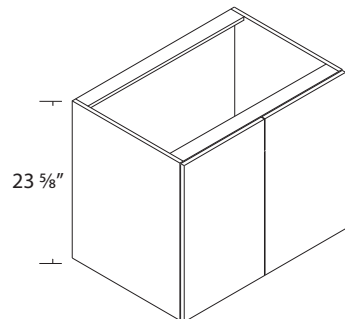
With Toe Kick	Econ		Alvic, Egger			Painted			
Single Door	A	B	C	D	E	F	G	H	I
V9FH	440	466	518	570	622	599	627	653	684
V12FH	444	470	522	574	626	603	631	657	689
V15FH	469	497	552	607	662	637	668	695	728
V18FH	494	523	581	639	697	671	703	732	767
V21FH	520	551	612	673	734	707	740	771	807
V24FH-1	578	612	680	748	816	785	823	857	898



With Toe Kick	Econ		Alvic, Egger			Painted			
Double Door	A	B	C	D	E	F	G	H	I
V24FH	578	612	680	748	816	785	823	857	898
V27FH	604	639	710	781	852	820	859	895	937
V30FH	629	667	740	814	888	855	895	932	977
V33FH	655	693	770	847	924	889	932	970	1016
V36FH	680	720	800	880	960	924	968	1008	1056
V39FH	705	747	830	913	996	959	1004	1046	1096
V42FH	730	774	860	946	1032	994	1040	1084	1136

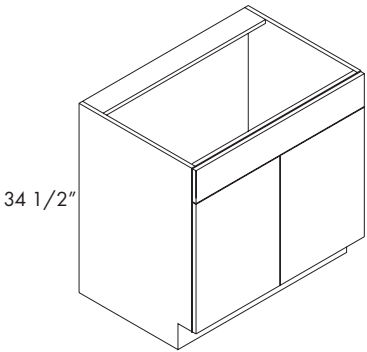
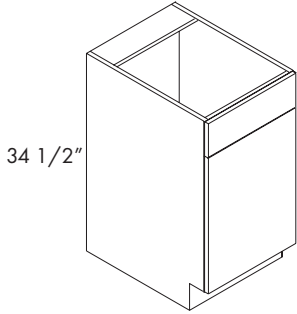


Floating	Econ		Alvic, Egger			Painted			
Single Door	A	B	C	D	E	F	G	H	I
V924FH	423	448	498	548	598	575	603	628	658
V1224FH	425	450	500	550	600	578	605	630	660
V1524FH	448	474	527	580	632	609	638	664	695
V1824FH	472	500	555	611	666	642	672	699	733
V2124FH	495	524	582	640	698	672	704	733	768
V2424FH-1	548	581	645	710	774	746	781	813	851



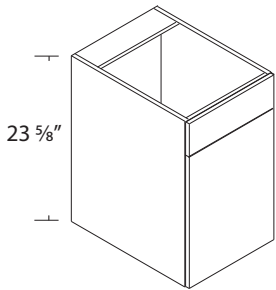
Floating	Econ		Alvic, Egger			Painted			
Double Door	A	B	C	D	E	F	G	H	I
V2424FH	548	581	645	710	774	746	781	813	851
V2724FH	572	606	673	740	808	777	814	848	889
V3024FH	596	631	701	771	841	810	848	883	925
V3324FH	620	656	729	802	875	842	882	919	963
V3624FH	643	680	756	832	907	874	915	952	998

- False front with vertical rail
- Does not include shelves or shelf holes

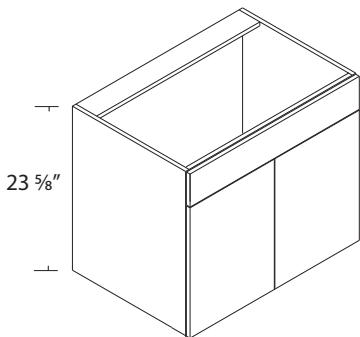


With Toe Kick	Econ		Alvic, Egger			Painted			
Single Door	A	B	C	D	E	F	G	H	I
VS9	610	646	718	790	862	830	869	905	948
VS12	634	671	746	821	895	862	903	940	985
VS15	657	696	773	850	928	893	935	974	1021
VS18	681	721	801	881	961	925	969	1009	1057
VS21	704	745	828	911	994	957	1002	1044	1093
VS24-1	803	851	945	1040	1134	1092	1144	1191	1247

With Toe Kick	Econ		Alvic, Egger			Painted			
Double Door	A	B	C	D	E	F	G	H	I
VS24	484	515	945	1040	1134	1092	1144	1191	1247
VS27	827	876	973	1070	1168	1124	1177	1226	1285
VS30	569	608	1000	1100	1200	1155	1210	1260	1320
VS33	874	925	1028	1131	1234	1188	1244	1296	1357
VS36	658	705	1055	1161	1266	1219	1277	1329	1393
VS39	897	950	1055	1161	1266	1219	1277	1329	1393
VS42	897	950	1055	1161	1266	1219	1277	1329	1393

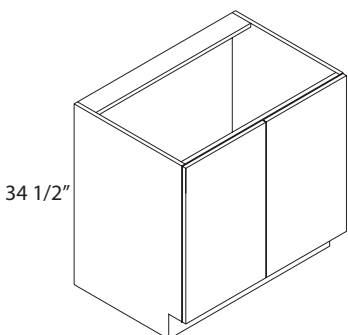
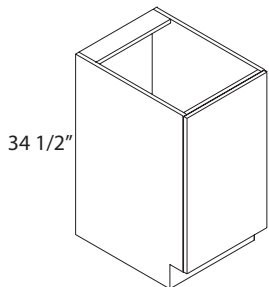


Floating	Econ		Alvic, Egger			Painted			
Single Door	A	B	C	D	E	F	G	H	I
VS924	610	646	718	790	862	830	869	905	948
VS1224	634	671	746	821	895	862	903	940	985
VS1524	657	696	773	850	928	893	935	974	1021
VS1824	681	721	801	881	961	925	969	1009	1057
VS2124	704	745	828	911	994	957	1002	1044	1093
VS2424-1	803	851	945	1040	1134	1092	1144	1191	1247



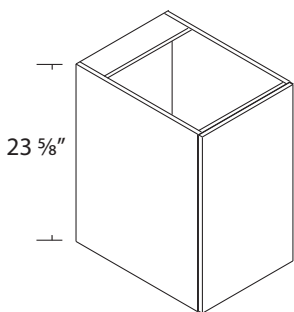
Floating	Econ		Alvic, Egger			Painted			
Double Door	A	B	C	D	E	F	G	H	I
VS2424	803	851	945	1040	1134	1092	1144	1191	1247
VS2724	827	876	973	1070	1168	1124	1177	1226	1285
VS3024	850	900	1000	1100	1200	1155	1210	1260	1320
VS3324	874	925	1028	1131	1234	1188	1244	1296	1357
VS3624	897	950	1055	1161	1266	1219	1277	1329	1393
VS3924	920	975	1082	1191	1298	1250	1310	1362	1429
VS4224	943	1000	1109	1221	1330	1281	1343	1395	1465

- Does not include shelves or shelf holes
- Includes a 6.75" Vanity Panel behind top of door

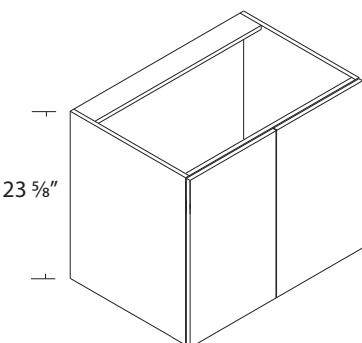


With Toe Kick	Econ		Alvic, Egger			Painted			
Single Door	A	B	C	D	E	F	G	H	I
VS9FH	440	466	518	570	622	599	627	653	684
VS12FH	444	470	522	574	626	603	631	657	689
VS15FH	469	497	552	607	662	637	668	695	728
VS18FH	494	523	581	639	697	671	703	732	767
VS21FH	520	551	612	673	734	707	740	771	807
VS24FH-1	578	612	680	748	816	785	823	857	898

With Toe Kick	Econ		Alvic, Egger			Painted			
Double Door	A	B	C	D	E	F	G	H	I
VS24FH	578	612	680	748	816	785	823	857	898
VS27FH	604	639	710	781	852	820	859	895	937
VS30FH	629	666	740	814	888	855	895	932	977
VS33FH	655	693	770	847	924	889	932	970	1016
VS36FH	680	720	800	880	960	924	968	1008	1056
VS39FH	705	747	830	913	996	959	1004	1046	1096
VS42FH	730	774	860	946	1032	994	1040	1084	1136



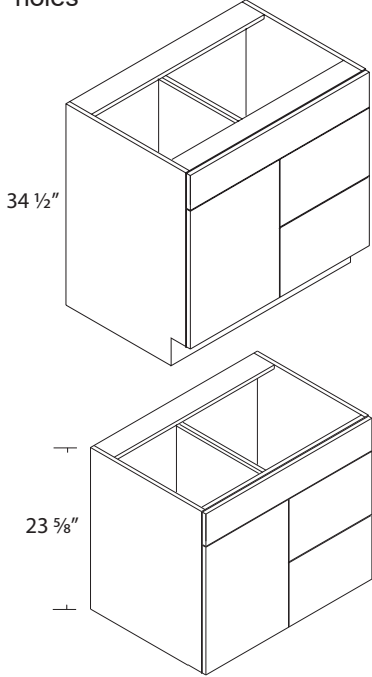
Floating	Econ		Alvic, Egger			Painted			
Single Door	A	B	C	D	E	F	G	H	I
VS924FH	423	448	498	548	598	575	603	628	658
VS1224FH	425	450	500	550	600	578	605	630	660
VS1524FH	448	474	527	580	632	609	638	664	695
VS1824FH	472	500	555	611	666	642	672	699	733
VS2124FH	495	524	582	640	698	672	704	733	768
VS2424FH-1	548	581	645	710	774	746	781	813	851



Floating	Econ		Alvic, Egger			Painted			
Double Door	A	B	C	D	E	F	G	H	I
VS2424FH	548	581	645	710	774	746	781	813	851
VS2724FH	572	606	673	740	808	777	814	848	889
VS3024FH	596	631	701	771	841	810	848	883	925
VS3324FH	620	656	729	802	875	842	882	919	963
VS3624FH	643	680	756	832	907	874	915	952	998
VS3924FH	667	704	783	862	939	906	948	985	1033
VS4224FH	689	728	810	892	971	938	981	1018	1068

- Specify left or right side door (left side door shown)
- Door hinges on the cabinet end
- Full-width false front
- Full-height center divider
- Does not include shelves or shelf holes

With Toe Kick	Econ		Alvic, Egger			Painted			
Left	A	B	C	D	E	F	G	H	I
VSSD30L	1152	1220	1355	1491	1626	1566	1640	1707	1789
VSSD36L	1195	1265	1406	1547	1687	1624	1702	1771	1856
Right	A	B	C	D	E	F	G	H	I
VSSD30R	1152	1220	1355	1491	1626	1566	1640	1707	1789
VSSD36R	1195	1265	1406	1547	1687	1624	1702	1771	1856



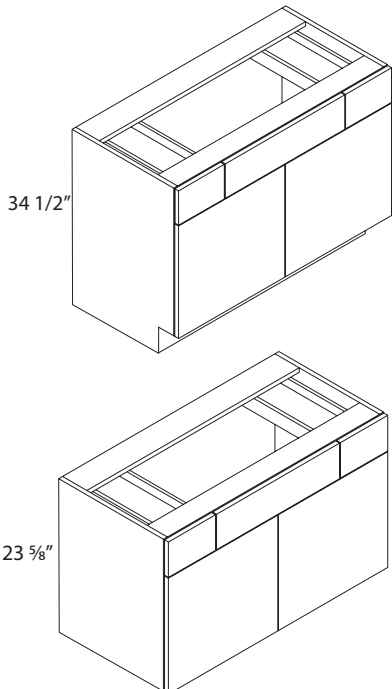
Floating	Econ		Alvic, Egger			Painted			
Left	A	B	C	D	E	F	G	H	I
VSSD3024L	1152	1220	1355	1491	1626	1566	1640	1707	1789
VSSD3624L	1195	1265	1406	1547	1687	1624	1702	1771	1856
Right	A	B	C	D	E	F	G	H	I
VSSD3024R	1152	1220	1355	1491	1626	1566	1640	1707	1789
VSSD3624R	1195	1265	1406	1547	1687	1624	1702	1771	1856

Side Drawer Door Size Table

Width	Door	Drawers
30"	17 7/8"	11 7/8"
36"	20 7/8"	14 7/8"

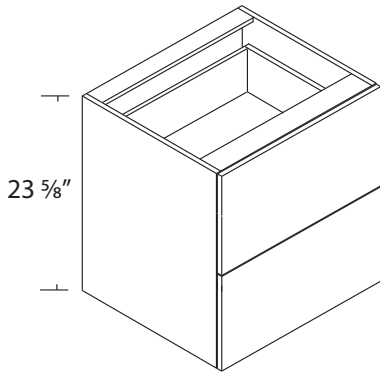
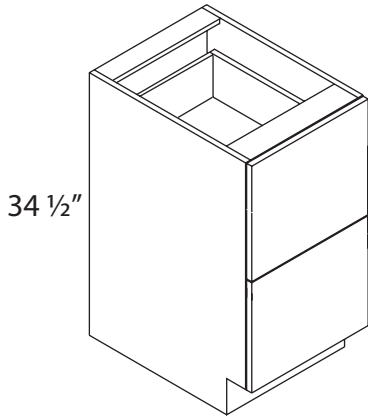
- Does not include shelves or shelf holes
- 36" wide cabinet has 7.5" wide corner drawers
- 42", 45", and 48" wide cabinets have 9" wide corner drawers

With Toe Kick	Econ		Alvic, Egger			Painted			
Corner Drawer	A	B	C	D	E	F	G	H	I
VSD36	1238	1310	1456	1602	1747	1682	1762	1834	1922
VSD42	1283	1358	1509	1660	1811	1743	1826	1902	1992
VSD45	1304	1381	1534	1687	1841	1771	1856	1933	2025
VSD48	1327	1405	1561	1717	1873	1803	1889	1967	2060



Floating	Econ		Alvic, Egger			Painted			
Corner Drawer	A	B	C	D	E	F	G	H	I
VSD3624	1147	1214	1349	1484	1619	1558	1632	1700	1781
VSD4224	1183	1253	1392	1531	1670	1608	1684	1754	1837
VSD4524	1201	1272	1413	1554	1696	1632	1709	1781	1866
VSD4824	1221	1292	1436	1580	1723	1659	1738	1809	1895

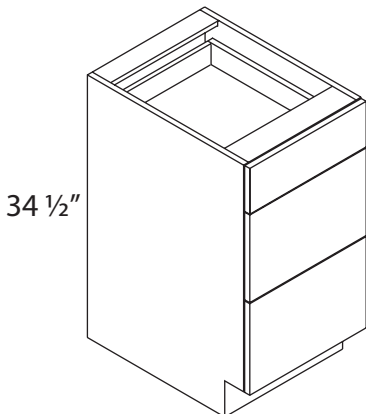
- Full-Height Vanity 2-Drawer Base has (2) 8" high drawer boxes



With TK Space	Econ		Alvic, Egger			Painted			
	A	B	C	D	E	F	G	H	I
V2D12	775	821	912	1003	1094	1053	1103	1149	1203
V2D15	819	868	964	1060	1157	1113	1166	1215	1273
V2D18	864	914	1016	1118	1219	1174	1230	1280	1341
V2D21	907	960	1067	1174	1280	1233	1291	1344	1408
V2D24	951	1007	1119	1231	1343	1293	1354	1410	1477
V2D27	995	1053	1170	1287	1404	1351	1416	1474	1544
V2D30	1039	1100	1222	1344	1466	1411	1478	1539	1613
V2D36	1104	1169	1299	1429	1559	1500	1572	1637	1715
V3D36	1244	1318	1464	1610	1757	1691	1771	1845	1933

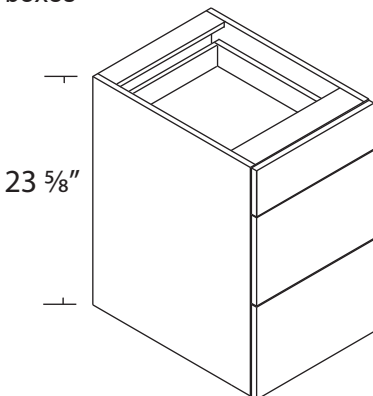
Floating	Econ		Alvic, Egger			Painted			
	A	B	C	D	E	F	G	H	I
V2D1224	275	291	864	950	1037	998	1045	1089	1141
V2D1524	321	341	912	1003	1094	1053	1103	1149	1203
V2D1824	367	390	959	1055	1151	1108	1161	1209	1266
V2D2124	854	905	1005	1106	1206	1161	1217	1266	1327
V2D2424	703	734	1053	1158	1264	1216	1274	1327	1390
V2D2724	935	990	1100	1210	1320	1271	1331	1386	1452
V2D3024	820	859	1146	1261	1375	1324	1387	1444	1513
V2D3624	938	985	1215	1337	1458	1404	1471	1531	1604
V3D3624	1174	1243	1381	1519	1657	1595	1671	1740	1823

- With Toe Kick: (1) 4" high drawer box and (2) 6" high drawer boxes



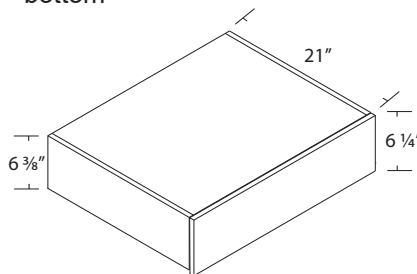
With TK Space	Econ		Alvic, Egger			Painted			
	A	B	C	D	E	F	G	H	I
V3D12	505	521	1105	1216	1326	1277	1338	1392	1459
V3D15	560	580	1171	1288	1405	1352	1417	1475	1546
V3D18	615	638	1235	1359	1482	1427	1495	1556	1630
V3D21	1105	1170	1300	1430	1560	1502	1573	1638	1716
V3D24	1160	1229	1365	1502	1638	1577	1652	1720	1802
V3D27	1215	1286	1429	1572	1715	1651	1729	1801	1887
V3D30	1270	1345	1494	1643	1793	1725	1807	1883	1972
V3D33	1325	1403	1559	1715	1871	1801	1887	1965	2058
V3D36	1244	1318	1464	1610	1757	1691	1771	1845	1933

- Floating: (3) 4" high drawer boxes



Floating	Econ		Alvic, Egger			Painted			
	A	B	C	D	E	F	G	H	I
V3D1224	898	951	1057	1163	1268	1221	1279	1331	1395
V3D1524	950	1006	1118	1230	1342	1292	1353	1409	1476
V3D1824	1001	1060	1178	1296	1414	1361	1426	1485	1555
V3D2124	1053	1115	1239	1363	1487	1431	1499	1561	1636
V3D2424	1104	1169	1299	1429	1559	1500	1572	1637	1715
V3D2724	1155	1223	1359	1495	1631	1570	1645	1713	1794
V3D3024	1207	1278	1420	1562	1704	1640	1718	1789	1874
V3D3324	1257	1331	1479	1627	1775	1708	1790	1864	1953
V3D3624	1174	1243	1381	1519	1657	1595	1671	1740	1823

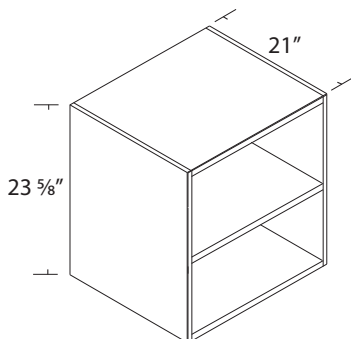
- All knee drawers are single drawer only
- Knee drawers do not have a bottom



Knee Drawer	Econ		Alvic, Egger			Painted			
	A	B	C	D	E	F	G	H	I
VKD18621	394	417	463	509	556	534	560	584	612
VKD21621	253	268	298	328	357	344	360	375	393
VKD24621	450	476	529	582	635	611	640	667	699
VKD27621	234	248	276	303	331	319	333	347	364
VKD30621	459	486	540	594	648	624	653	680	713
VKD33621	243	257	285	314	343	330	346	359	377
VKD36621	472	500	555	611	667	642	672	699	733

VANITY - OPEN SHELF

- Open Shelf Units are finished interior
- Texture/finish will be to the interior
- Must specify for finished ends



Open Shelf	Econ		Alvic, Egger			Painted			
	A	B	C	D	E	F	G	H	I
VOS182421	385	408	453	498	544	523	548	571	598
VOS212421	240	253	282	310	338	326	341	356	372
VOS242421	432	457	508	559	610	587	615	641	671
VOS272421	263	279	309	340	371	357	374	390	409
VOS302421	479	507	563	619	676	650	681	710	744
VOS332421	286	303	337	371	404	389	408	424	444
VOS362421	525	556	618	680	742	714	748	779	816

Tall Cabinet Standards

Cabinet specifications are subject to change without prior notice.

Depth refers only to the box, excluding doors.

Tall cabinets are typically 24" deep unless specified otherwise; with doors, they measure 24-7/8" deep.

Please indicate left or right hinge preference for single-door cabinets.

All shelves are full depth and fully adjustable unless specified otherwise.

Signature, PRO-Series and Euro Economy cabinets include an integrated toe kick space.

All cabinets maintain a 1/16" reveal for doors and drawer fronts (1/8" between double doors).

Painted doors over 49" high will have a center rail

Drawer boxes do not increase in depth when cabinet depth exceeds 24".

Cabinet backsides are not finished.

Always include toe kick height when indicating adjusted cabinet heights.

Consider ceiling height when ordering 96" tall cabinets.

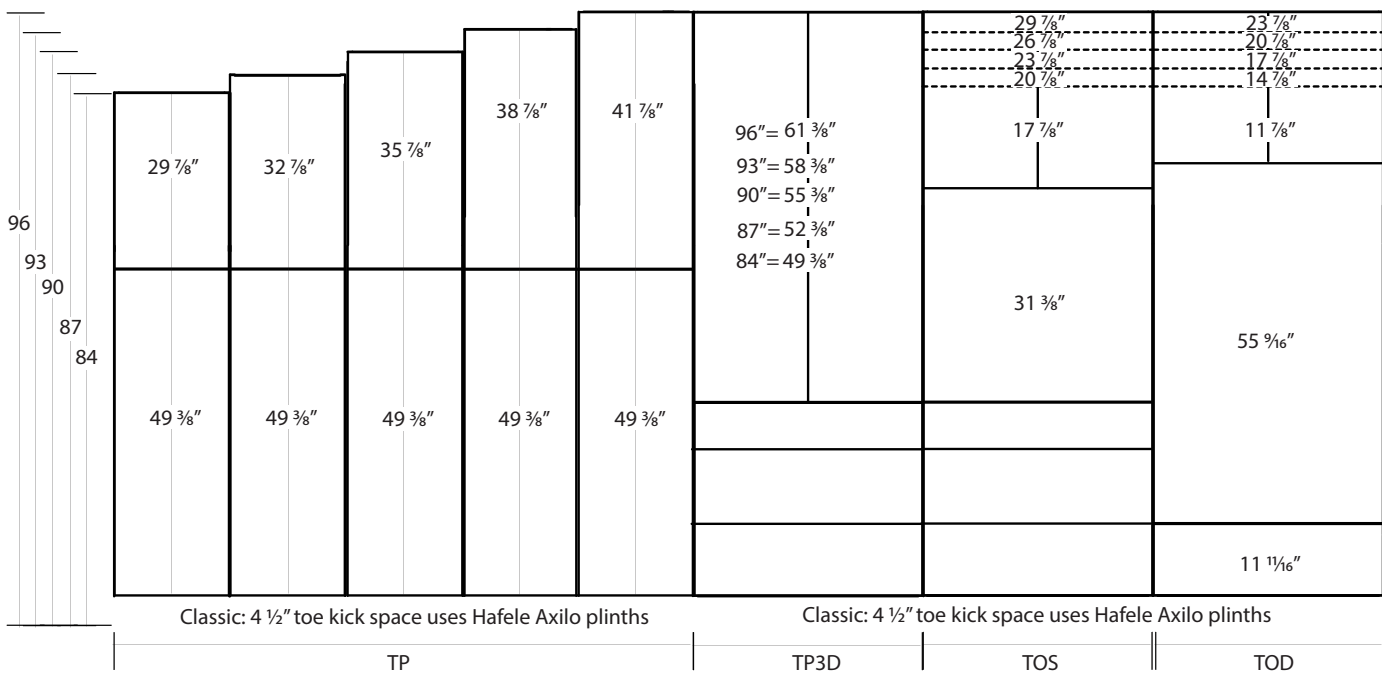
Loose toe bases must be specified and ordered separately - see the ACCESSORIES section.

Maximum height of Tall Cabinets is 96". Cabinets may be stacked to achieve custom sizes.

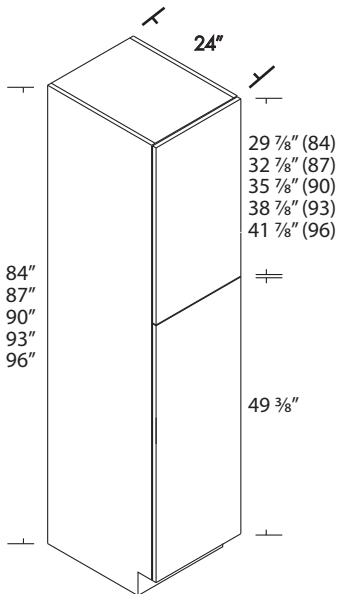
Tall cabinets cannot be ordered with Horizontal Grain direction without modifying the cabinet door height. The maximum door height for Horizontal Grain is 48".

The sides and interior backs of all tall cabinets will be vertical grain. Overlay Doors or Panels can be ordered separately and applied in the field (see ACCESSORIES section).

For cabinets over 94", additional shipping charges apply for special handling and oversize pallets.



- Includes 4 adjustable full-depth shelves
- Loose toe base may be specified (plywood only) - ordered separately - see ACCESSORIES section
- Modification to Tall cabinets requires a specifications drawing
- *NOTE: Tall cabinets cannot be ordered with Horizontal Grain direction without modifying the cabinet door height. The maximum door height for Horizontal Grain is 48".*
- *The sides and back of all tall cabinets will be vertical grain. Overlay Doors or Panels can be ordered separately and applied in the field (see ACCESSORIES section).*
- *Cabinets exceeding 94 inches in height will be subject to an extra shipping and handling charge.*

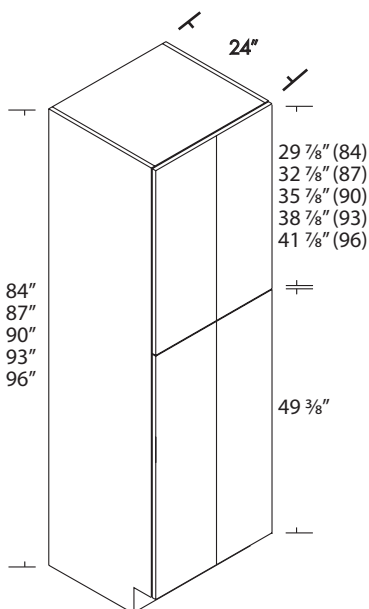


Single Door	Econ		Alvic, Egger			Painted			
	A	B	C	D	E	F	G	H	I
84"									
TP128424	974	1031	1146	1261	1375	1324	1387	1444	1513
TP158424	892	944	1210	1331	1452	1398	1464	1525	1597
TP188424	1018	1081	1265	1392	1518	1462	1531	1594	1670
TP218424	1127	1193	1326	1459	1591	1532	1605	1671	1750
TP248424-1	1178	1247	1386	1525	1663	1601	1678	1746	1829
87"									
TP128724	987	1045	1161	1277	1393	1341	1405	1463	1532
TP158724	1042	1103	1226	1349	1471	1416	1484	1545	1618
TP188724	1091	1155	1283	1411	1540	1482	1552	1617	1694
TP218724	1139	1206	1340	1474	1608	1548	1621	1688	1769
TP248724-1	1187	1257	1397	1537	1676	1614	1691	1760	1844
90"									
TP129024	999	1058	1175	1293	1410	1358	1422	1481	1551
TP159024	943	999	1242	1366	1490	1434	1503	1565	1639
TP189024	1077	1144	1300	1430	1560	1502	1573	1638	1716
TP219024	1154	1222	1358	1494	1630	1569	1643	1712	1793
TP249024-1	1204	1274	1416	1558	1699	1636	1714	1784	1869
93"									
TP129324	1025	1085	1206	1327	1447	1393	1460	1519	1592
TP159324	969	1027	1277	1405	1532	1475	1546	1609	1685
TP189324	1098	1168	1341	1475	1609	1549	1623	1689	1770
TP219324	1194	1265	1405	1546	1686	1623	1701	1770	1855
TP249324-1	1249	1322	1469	1616	1763	1697	1778	1851	1939
96"									
TP129624	1036	1097	1219	1341	1463	1408	1475	1536	1609
TP159624	995	1054	1293	1422	1552	1493	1564	1630	1707
TP189624	1132	1204	1358	1494	1630	1569	1643	1712	1793
TP219624	1210	1281	1423	1565	1708	1643	1722	1793	1879
TP249624-1	1265	1339	1488	1637	1786	1719	1801	1875	1965

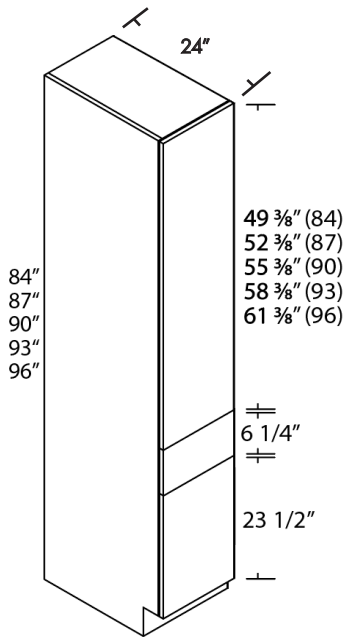
Double Doors	Econ		Alvic, Egger			Painted			
	A	B	C	D	E	F	G	H	I
84"									
TP248424	1254	1338	1466	1613	1759	1694	1774	1847	1935
TP278424	1279	1355	1505	1656	1806	1739	1822	1896	1987
TP308424	1492	1596	1590	1749	1908	1836	1924	2003	2099
TP338424	1409	1492	1658	1824	1990	1915	2006	2090	2189
TP368424	1471	1558	1731	1904	2077	1999	2094	2181	2285
TP398424	1533	1624	1804	1984	2164	2083	2182	2272	2381
TP428424	1595	1690	1877	2064	2251	2167	2270	2363	2477
TP458424	1657	1756	1950	2144	2338	2251	2358	2454	2573
TP488424	1719	1822	2023	2224	2425	2335	2446	2545	2669

- Includes 4 adjustable full-depth shelves
- Loose toe base may be specified (plywood only) - ordered separately - see ACCESSORIES section
- Modification to Tall cabinets requires a specifications drawing
- *NOTE: Tall cabinets cannot be ordered with Horizontal Grain direction without modifying the cabinet door height. The maximum door height for Horizontal Grain is 48".*
- *The sides and back of all tall cabinets will be vertical grain. Overlay Doors or Panels can be ordered separately and applied in the field (see ACCESSORIES section).*
- *Cabinets exceeding 94 inches in height will be subject to an extra shipping and handling charge.*

Double Doors	Econ		Alvic, Egger			Painted			
	A	B	C	D	E	F	G	H	I
87"									
TP248724	1236	1309	1454	1599	1745	1679	1759	1832	1920
TP278724	1284	1360	1511	1662	1813	1745	1828	1904	1994
TP308724	1371	1452	1613	1774	1936	1863	1951	2033	2130
TP338724	1458	1544	1715	1887	2058	1981	2076	2161	2264
TP368724	1544	1635	1817	1999	2180	2099	2199	2289	2398
TP398724	1630	1726	1919	2111	2302	2217	2322	2417	2532
TP428724	1716	1817	2021	2223	2424	2335	2445	2545	2666
TP458724	1802	1908	2123	2335	2546	2453	2568	2673	2800
TP488724	1888	1999	2225	2447	2668	2571	2691	2801	2934
90"	A	B	C	D	E	F	G	H	I
TP249024	1325	1414	1506	1657	1807	1740	1823	1897	1988
TP279024	1357	1436	1596	1756	1915	1844	1932	2011	2107
TP309024	1575	1687	1686	1855	2023	1948	2041	2124	2225
TP339024	1510	1598	1776	1954	2131	2052	2149	2238	2344
TP369024	1586	1679	1866	2053	2239	2156	2258	2351	2463
TP399024	1662	1760	1956	2152	2347	2260	2367	2464	2582
TP429024	1738	1841	2046	2251	2455	2364	2476	2577	2701
TP459024	1814	1922	2136	2350	2563	2468	2585	2690	2820
TP489024	1890	2003	2226	2449	2671	2572	2694	2803	2939
93"	A	B	C	D	E	F	G	H	I
TP249324	1375	1467	1558	1714	1870	1800	1885	1964	2057
TP279324	1400	1482	1647	1812	1976	1903	1993	2075	2174
TP309324	1633	1749	1736	1910	2083	2006	2101	2187	2291
TP339324	1551	1643	1825	2008	2190	2108	2209	2300	2409
TP369324	1627	1723	1914	2105	2297	2210	2316	2412	2527
TP399324	1703	1803	2003	2202	2404	2312	2423	2524	2645
TP429324	1779	1883	2092	2299	2511	2414	2530	2636	2763
TP459324	1855	1963	2181	2396	2618	2516	2637	2748	2881
TP489324	1931	2043	2270	2493	2725	2618	2744	2860	2999
96"	A	B	C	D	E	F	G	H	I
TP249624	1417	1513	1577	1735	1892	1822	1909	1987	2081
TP279624	1416	1499	1666	1833	1999	1925	2016	2099	2199
TP309624	1688	1806	1755	1931	2106	2028	2124	2211	2317
TP339624	1567	1660	1844	2028	2213	2129	2231	2324	2434
TP369624	1643	1740	1933	2126	2320	2232	2339	2436	2552
TP399624	1719	1820	2022	2224	2427	2335	2447	2548	2670
TP429624	1795	1900	2111	2322	2534	2438	2555	2660	2788
TP459624	1871	1980	2200	2420	2641	2541	2663	2772	2906
TP489624	1947	2060	2289	2518	2748	2644	2771	2884	3024



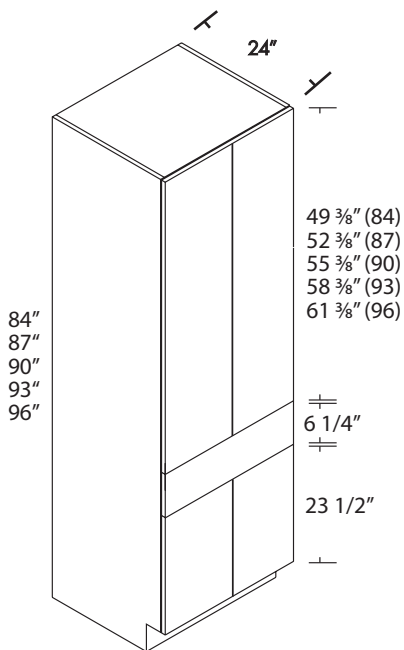
- Lower section is a standard Door/Drawer Base
- Includes 4 adjustable full-depth shelves
- Loose toe base may be specified - ordered separately - see the ACCESSORIES section
- Modifications to Tall cabinets require a specifications drawing
- *NOTE: Tall cabinets cannot be ordered with Horizontal Grain direction without modifying the cabinet door height. The maximum door height for Horizontal Grain is 48".*
- *The sides and back of all tall cabinets will be vertical grain. Overlay Doors or Panels can be ordered separately and applied in the field (see the ACCESSORIES section).*
- *Cabinets exceeding 94 inches in height will be subject to an extra shipping and handling charge.*



Single Door	Econ		Alvic, Egger			Painted			
	A	B	C	D	E	F	G	H	I
84"H									
TPB128424	1159	1227	1363	1499	1636	1574	1649	1717	1800
TPB158424	1207	1278	1420	1562	1704	1640	1718	1789	1875
TPB188424	1257	1332	1479	1627	1775	1708	1790	1863	1953
TPB218424	1310	1387	1541	1695	1849	1780	1864	1941	2034
TPB248424-1	1364	1445	1605	1765	1926	1854	1942	2022	2119
87"H									
TPB128724	1173	1242	1380	1517	1655	1593	1669	1738	1821
TPB158724	1221	1294	1437	1581	1724	1660	1739	1811	1897
TPB188724	1272	1347	1497	1646	1796	1729	1811	1886	1976
TPB218724	1325	1404	1559	1715	1871	1801	1887	1965	2058
TPB248724-1	1380	1462	1624	1787	1949	1876	1965	2047	2144
90"H									
TPB129024	1189	1259	1398	1539	1678	1615	1693	1762	1846
TPB159024	1238	1311	1457	1603	1748	1683	1763	1835	1923
TPB189024	1290	1366	1517	1669	1821	1753	1837	1912	2003
TPB219024	1344	1423	1581	1739	1897	1826	1913	1992	2087
TPB249024-1	1400	1482	1646	1812	1976	1902	1993	2075	2173
93"H									
TPB129324	1223	1296	1439	1583	1727	1663	1742	1813	1900
TPB159324	1274	1350	1499	1649	1799	1732	1814	1889	1979
TPB189324	1327	1406	1562	1718	1874	1804	1890	1968	2061
TPB219324	1382	1464	1627	1790	1952	1879	1969	2050	2147
TPB249324-1	1440	1525	1694	1864	2033	1957	2051	2135	2237
96"H									
TPB129624	1236	1309	1454	1599	1745	1679	1759	1832	1919
TPB159624	1288	1363	1514	1666	1818	1749	1832	1908	1999
TPB189624	1341	1420	1577	1735	1893	1822	1908	1988	2083
TPB219624	1397	1479	1643	1807	1972	1898	1988	2071	2169
TPB249624-1	1455	1541	1712	1883	2054	1977	2071	2157	2260

Double Doors	Econ		Alvic, Egger			Painted			
	A	B	C	D	E	F	G	H	I
84"H									
TPB248424	1421	1505	1672	1839	2006	1931	2023	2106	2207
TPB278424	1451	1536	1707	1878	2048	1972	2066	2150	2253
TPB308424	1481	1568	1742	1916	2090	2012	2108	2195	2299
TPB338424	1510	1599	1777	1955	2132	2053	2151	2239	2345
TPB368424	1539	1631	1812	1993	2174	2093	2192	2283	2391
TPB398424	1568	1663	1847	2031	2216	2133	2233	2327	2437
TPB428424	1597	1695	1882	2069	2258	2173	2274	2371	2483
TPB458424	1626	1727	1917	2107	2300	2213	2315	2415	2529
TPB488424	1655	1759	1952	2145	2342	2253	2356	2459	2575

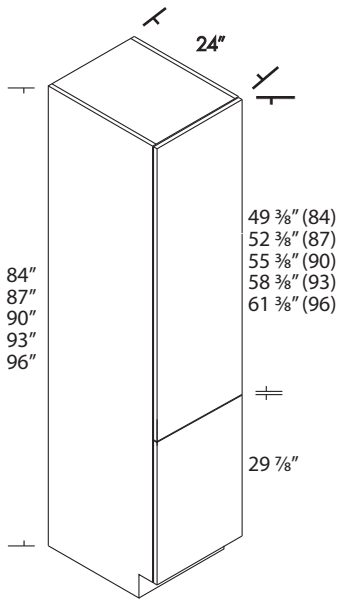
- Lower section is a standard Door/Drawer Base
- Includes 4 adjustable full-depth shelves
- Loose toe base may be specified - ordered separately - see the ACCESSORIES section
- Modifications to Tall cabinets require a specifications drawing
- *NOTE: Tall cabinets cannot be ordered with Horizontal Grain direction without modifying the cabinet door height. The maximum door height for Horizontal Grain is 48".*
- *The sides and back of all tall cabinets will be vertical grain. Overlay Doors or Panels can be ordered separately and applied in the field (see the ACCESSORIES section).*
- *Cabinets exceeding 94 inches in height will be subject to an extra shipping and handling charge.*



Double Doors	Econ		Alvic, Egger			Painted			
	A	B	C	D	E	F	G	H	I
87"H									
TPB248724	1438	1523	1692	1861	2030	1954	2047	2132	2233
TPB278724	1469	1555	1728	1901	2074	1996	2091	2178	2281
TPB308724	1499	1588	1764	1940	2117	2037	2134	2223	2329
TPB338724	1530	1620	1800	1980	2160	2079	2178	2268	2376
TPB368724	1561	1652	1836	2020	2203	2121	2222	2313	2423
TPB398724	1592	1684	1872	2060	2246	2163	2266	2358	2470
TPB428724	1623	1716	1908	2100	2289	2205	2310	2403	2517
TPB458724	1654	1748	1944	2140	2332	2247	2354	2448	2564
TPB488724	1685	1780	1980	2180	2375	2289	2398	2493	2611
90"H	A	B	C	D	E	F	G	H	I
TPB249024	1458	1544	1715	1887	2058	1981	2076	2161	2264
TPB279024	1488	1576	1751	1926	2101	2022	2119	2206	2311
TPB309024	1519	1608	1787	1966	2144	2064	2163	2251	2358
TPB339024	1550	1641	1823	2005	2188	2105	2206	2297	2407
TPB369024	1580	1673	1859	2045	2231	2147	2250	2343	2454
TPB399024	1610	1705	1895	2085	2274	2189	2294	2389	2501
TPB429024	1640	1737	1931	2125	2317	2231	2338	2435	2548
TPB459024	1670	1769	1967	2165	2360	2273	2382	2481	2595
TPB489024	1700	1801	2003	2205	2403	2315	2426	2527	2642
93"H	A	B	C	D	E	F	G	H	I
TPB249324	1500	1589	1765	1942	2118	2039	2136	2224	2330
TPB279324	1535	1625	1806	1987	2167	2086	2186	2275	2384
TPB309324	1570	1662	1847	2032	2216	2134	2235	2327	2438
TPB339324	1605	1699	1888	2077	2266	2181	2285	2379	2493
TPB369324	1640	1736	1929	2122	2315	2228	2334	2431	2547
TPB399324	1675	1773	1970	2167	2364	2275	2383	2483	2601
TPB429324	1710	1810	2011	2212	2413	2322	2432	2535	2655
TPB459324	1745	1847	2052	2257	2462	2369	2481	2587	2709
TPB489324	1780	1884	2093	2302	2511	2416	2530	2639	2763
96"H	A	B	C	D	E	F	G	H	I
TPB249624	1516	1605	1783	1961	2140	2059	2157	2247	2354
TPB279624	1552	1643	1826	2009	2191	2109	2210	2301	2410
TPB309624	1589	1682	1869	2056	2243	2159	2262	2355	2467
TPB339624	1625	1721	1912	2103	2294	2208	2313	2409	2523
TPB369624	1662	1760	1955	2151	2346	2259	2366	2463	2581
TPB399624	1699	1799	1998	2199	2398	2310	2419	2517	2639
TPB429624	1736	1838	2041	2247	2450	2361	2472	2571	2697
TPB459624	1773	1877	2084	2295	2502	2412	2525	2625	2755
TPB489624	1810	1916	2127	2343	2554	2463	2578	2679	2813

TALL PANTRY - FULL-HEIGHT BASE - SINGLE & DOUBLE DOORS 71

- Lower section is a standard full-height Base
- Includes 4 adjustable full-depth shelves
- Loose toe base may be specified - ordered separately - see the ACCESSORIES section
- Modifications to Tall cabinets require a specifications drawing
- **NOTE: Tall cabinets cannot be ordered with Horizontal Grain direction without modifying the cabinet door height. The maximum door height for Horizontal Grain is 48".**
- **The sides and back of all tall cabinets will be vertical grain. Overlay Doors or Panels can be ordered separately and applied in the field (see the ACCESSORIES section).**
- **Cabinets exceeding 94 inches in height will be subject to an extra shipping and handling charge.**

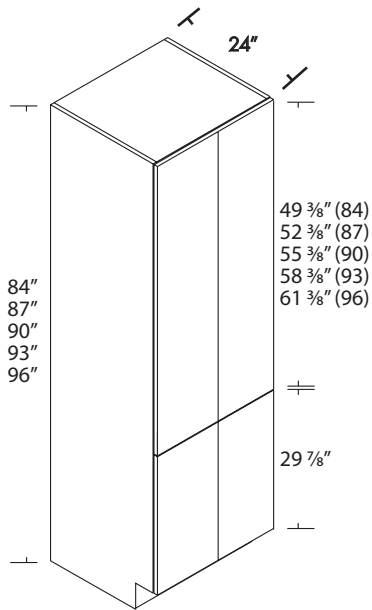


Single Door	Econ		Alvic, Egger			Painted			
84"	A	B	C	D	E	F	G	H	I
TPV128424	974	1031	1146	1261	1375	1324	1387	1444	1513
TPV158424	1029	1089	1210	1331	1452	1398	1464	1525	1597
TPV188424	1075	1139	1265	1392	1518	1462	1531	1594	1670
TPV218424	1127	1193	1326	1459	1591	1532	1605	1671	1750
TPV248424-1	1178	1247	1386	1525	1663	1601	1678	1746	1829
87"	A	B	C	D	E	F	G	H	I
TPV128724	987	1045	1161	1277	1393	1341	1405	1463	1532
TPV158724	1042	1103	1226	1349	1471	1416	1484	1545	1618
TPV188724	1091	1155	1283	1411	1540	1482	1552	1617	1694
TPV218724	1139	1206	1340	1474	1608	1548	1621	1688	1769
TPV248724-1	1187	1257	1397	1537	1676	1614	1691	1760	1844
90"	A	B	C	D	E	F	G	H	I
TPV129024	999	1058	1175	1293	1410	1358	1422	1481	1551
TPV159024	1056	1118	1242	1366	1490	1434	1503	1565	1639
TPV189024	1105	1170	1300	1430	1560	1502	1573	1638	1716
TPV219024	1154	1222	1358	1494	1630	1569	1643	1712	1793
TPV249024-1	1204	1274	1416	1558	1699	1636	1714	1784	1869
93"	A	B	C	D	E	F	G	H	I
TPV129324	1025	1085	1206	1327	1447	1393	1460	1519	1592
TPV159324	1085	1149	1277	1405	1532	1475	1546	1609	1685
TPV189324	1140	1207	1341	1475	1609	1549	1623	1689	1770
TPV219324	1194	1265	1405	1546	1686	1623	1701	1770	1855
TPV249324-1	1249	1322	1469	1616	1763	1697	1778	1851	1939
96"	A	B	C	D	E	F	G	H	I
TPV129624	1036	1097	1219	1341	1463	1408	1475	1536	1609
TPV159624	1099	1164	1293	1422	1552	1493	1564	1630	1707
TPV189624	1154	1222	1358	1494	1630	1569	1643	1712	1793
TPV219624	1210	1281	1423	1565	1708	1643	1722	1793	1879
TPV249624-1	1265	1339	1488	1637	1786	1719	1801	1875	1965

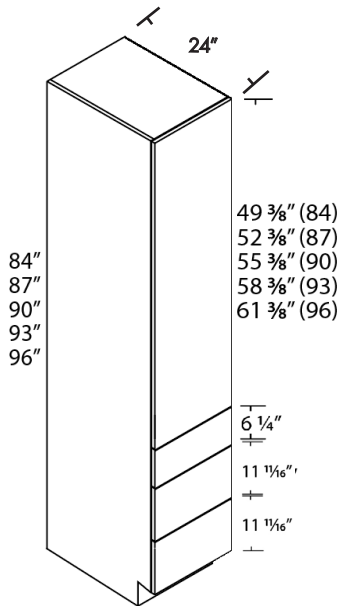
Double Door	Econ	Prism, Alvic, Egger				Painted			
84"	A	B	C	D	E	F	G	H	I
TPV248424	1246	1319	1466	1613	1759	1694	1774	1847	1935
TPV278424	1279	1355	1505	1656	1806	1739	1822	1896	1987
TPV308424	1352	1431	1590	1749	1908	1836	1924	2003	2099
TPV338424	1409	1492	1658	1824	1990	1915	2006	2090	2189
TPV368424	1471	1558	1731	1904	2077	1999	2094	2181	2285
TPV398424	1533	1624	1804	1984	2164	2083	2182	2272	2381
TPV428424	1595	1690	1877	2064	2251	2167	2270	2363	2477
TPV458424	1657	1756	1950	2144	2338	2251	2358	2454	2573
TPV488424	1719	1822	2023	2224	2425	2335	2446	2545	2669

- Lower section is a standard full-height Base
- Includes 4 adjustable full-depth shelves
- Loose toe base may be specified - ordered separately - see the ACCESSORIES section
- Modifications to Tall cabinets require a specifications drawing
- *NOTE: Tall cabinets cannot be ordered with Horizontal Grain direction without modifying the cabinet door height. The maximum door height for Horizontal Grain is 48".*
- *The sides and back of all tall cabinets will be vertical grain. Overlay Doors or Panels can be ordered separately and applied in the field (see the ACCESSORIES section).*
- *Cabinets exceeding 94 inches in height will be subject to an extra shipping and handling charge.*

Double Door	Econ		Alvic, Egger			Painted			
	A	B	C	D	E	F	G	H	I
87"									
TPV248724	1236	1309	1454	1599	1745	1679	1759	1832	1920
TPV278724	1284	1360	1511	1662	1813	1745	1828	1904	1994
TPV308724	1371	1452	1613	1774	1936	1863	1951	2033	2130
TPV338724	1458	1544	1715	1887	2058	1981	2076	2161	2264
TPV368724	1544	1635	1817	1999	2180	2099	2199	2289	2398
TPV398724	1630	1726	1919	2111	2302	2217	2322	2417	2532
TPV428724	1716	1817	2021	2223	2424	2335	2445	2545	2666
TPV458724	1802	1908	2123	2335	2546	2453	2568	2673	2800
TPV488724	1888	1999	2225	2447	2668	2571	2691	2801	2934
90"	A	B	C	D	E	F	G	H	I
TPV249024	1280	1355	1506	1657	1807	1740	1823	1897	1988
TPV279024	1357	1436	1596	1756	1915	1844	1932	2011	2107
TPV309024	1433	1517	1686	1855	2023	1948	2041	2124	2225
TPV339024	1510	1598	1776	1954	2131	2052	2149	2238	2344
TPV369024	1586	1679	1866	2053	2239	2156	2258	2351	2463
TPV399024	1662	1760	1956	2152	2347	2260	2367	2464	2582
TPV429024	1738	1841	2046	2251	2455	2364	2476	2577	2701
TPV459024	1814	1922	2136	2350	2563	2468	2585	2690	2820
TPV489024	1890	2003	2226	2449	2671	2572	2694	2803	2939
93"	A	B	C	D	E	F	G	H	I
TPV249324	1324	1402	1558	1714	1870	1800	1885	1964	2057
TPV279324	1400	1482	1647	1812	1976	1903	1993	2075	2174
TPV309324	1476	1562	1736	1910	2083	2006	2101	2187	2291
TPV339324	1551	1643	1825	2008	2190	2108	2209	2300	2409
TPV369324	1627	1723	1914	2105	2297	2210	2316	2412	2527
TPV399324	1703	1803	2003	2202	2404	2312	2423	2524	2645
TPV429324	1779	1883	2092	2299	2511	2414	2530	2636	2763
TPV459324	1855	1963	2181	2396	2618	2516	2637	2748	2881
TPV489324	1931	2043	2270	2493	2725	2618	2744	2860	2999
96"	A	B	C	D	E	F	G	H	I
TPV249624	1340	1419	1577	1735	1892	1822	1909	1987	2081
TPV279624	1416	1499	1666	1833	1999	1925	2016	2099	2199
TPV309624	1492	1580	1755	1931	2106	2028	2124	2211	2317
TPV339624	1567	1660	1844	2028	2213	2129	2231	2324	2434
TPV369624	1643	1740	1933	2126	2320	2232	2339	2436	2552
TPV399624	1719	1820	2022	2224	2427	2335	2447	2548	2670
TPV429624	1795	1900	2111	2322	2534	2438	2555	2660	2788
TPV459624	1871	1980	2200	2420	2641	2541	2663	2772	2906
TPV489624	1947	2060	2289	2518	2748	2644	2771	2884	3024



- Lower section is a standard 3-drawer Base
- Includes 4 adjustable full-depth shelves
- Loose toe base may be specified (plywood only) - ordered separately - see ACCESSORIES section
- Modifications to Tall cabinets require a specifications drawing
- **NOTE: Tall cabinets cannot be ordered with Horizontal Grain direction without modifying the cabinet door height. The maximum door height for Horizontal Grain is 48".**
- **The sides and back of all tall cabinets will be vertical grain. Overlay Doors or Panels can be ordered separately and applied in the field (see the ACCESSORIES section).**
- **Cabinets exceeding 94 inches in height will be subject to an extra shipping and handling charge.**

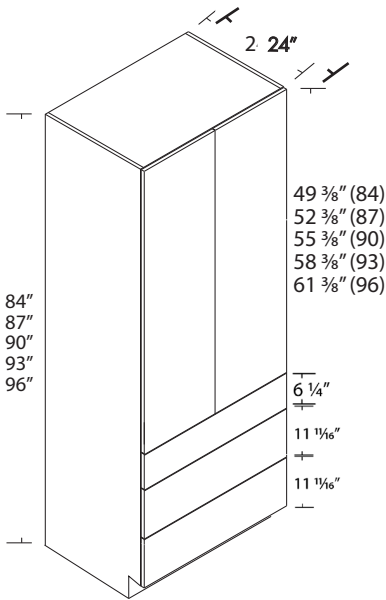


Single Door	Econ		Alvic, Egger			Painted			
	A	B	C	D	E	F	G	H	I
84"H									
TP3D1284	1545	1639	1822	2005	2182	2105	2210	2293	2398
TP3D1584	1606	1703	1893	2083	2268	2187	2295	2383	2493
TP3D1884	1667	1767	1964	2161	2354	2269	2380	2473	2588
TP3D2184	1728	1831	2035	2239	2440	2351	2465	2563	2683
TP3D2484-1	1789	1895	2106	2317	2526	2433	2550	2653	2778
87"H									
TP3D1287	1549	1644	1823	2002	2192	2103	2203	2304	2410
TP3D1587	1612	1710	1897	2084	2280	2189	2293	2396	2507
TP3D1887	1675	1776	1971	2166	2368	2275	2383	2488	2604
TP3D2187	1738	1842	2045	2248	2456	2361	2473	2580	2701
TP3D2487-1	1801	1908	2119	2330	2544	2447	2563	2672	2798
90"H									
TP3D1290	1553	1643	1824	2005	2191	2107	2203	2304	2411
TP3D1590	1618	1712	1901	2090	2283	2196	2297	2400	2512
TP3D1890	1683	1781	1978	2175	2375	2285	2391	2496	2613
TP3D2190	1748	1850	2055	2260	2467	2374	2485	2592	2714
TP3D2490-1	1813	1919	2132	2345	2559	2463	2579	2688	2815
93"H									
TP3D1293	1564	1657	1843	2029	2215	2128	2227	2331	2436
TP3D1593	1635	1732	1926	2120	2314	2224	2328	2434	2545
TP3D1893	1706	1807	2009	2211	2413	2320	2429	2537	2654
TP3D2193	1777	1882	2092	2302	2512	2416	2530	2640	2763
TP3D2493-1	1848	1957	2175	2393	2611	2512	2631	2743	2872
96"H									
TP3D1296	1583	1672	1860	2048	2231	2148	2254	2343	2455
TP3D1596	1654	1748	1944	2140	2332	2245	2355	2449	2566
TP3D1896	1725	1824	2028	2232	2433	2342	2456	2555	2677
TP3D2196	1796	1900	2112	2324	2534	2439	2557	2661	2788
TP3D2496-1	1867	1976	2196	2416	2635	2536	2658	2767	2899

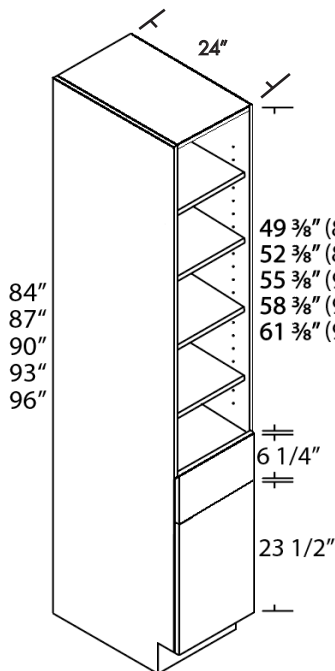
Double Doors	Econ		Alvic, Egger			Painted			
	A	B	C	D	E	F	G	H	I
84"H									
TP3D2484	1850	1959	2177	2395	2612	2515	2635	2743	2873
TP3D2784	1911	2023	2248	2473	2698	2597	2720	2833	2968
TP3D3084	1971	2087	2319	2551	2783	2679	2806	2922	3061
TP3D3384	2032	2151	2390	2629	2868	2760	2892	3011	3155
TP3D3684	2092	2215	2461	2707	2953	2842	2978	3101	3248
TP3D3984	2152	2279	2532	2785	3038	2924	3064	3191	3341
TP3D4284	2212	2343	2603	2863	3123	3006	3150	3281	3434
TP3D4584	2272	2407	2674	2941	3208	3088	3236	3371	3527
TP3D4884	2332	2471	2745	3019	3293	3170	3322	3461	3620

- Lower section is a standard 3-drawer Base
- Includes 4 adjustable full-depth shelves
- Loose toe base may be specified (plywood only) - ordered separately - see ACCESSORIES section
- Modifications to Tall cabinets require a specifications drawing
- **NOTE: Tall cabinets cannot be ordered with Horizontal Grain direction without modifying the cabinet door height. The maximum door height for Horizontal Grain is 48".**
- **The sides and back of all tall cabinets will be vertical grain. Overlay Doors or Panels can be ordered separately and applied in the field (see the ACCESSORIES section).**
- **Cabinets exceeding 94 inches in height will be subject to an extra shipping and handling charge.**

Double Doors	Econ		Alvic, Egger			Painted			
	A	B	C	D	E	F	G	H	I
87"H									
TP3D2487	1864	1974	2193	2412	2632	2533	2653	2764	2895
TP3D2787	1927	2040	2267	2494	2720	2619	2743	2856	2992
TP3D3087	1990	2107	2341	2575	2809	2704	2833	2949	3090
TP3D3387	2053	2174	2415	2657	2898	2790	2923	3043	3188
TP3D3687	2116	2240	2489	2738	2987	2875	3012	3136	3286
TP3D3987	2179	2306	2563	2819	3076	2960	3101	3229	3384
TP3D4287	2242	2372	2637	2900	3165	3045	3190	3322	3482
TP3D4587	2305	2438	2711	2981	3254	3130	3279	3415	3580
TP3D4887	2368	2504	2785	3062	3343	3215	3368	3508	3678
90"H	A	B	C	D	E	F	G	H	I
TP3D2490	1878	1988	2209	2430	2651	2552	2673	2784	2916
TP3D2790	1943	2057	2286	2515	2743	2641	2767	2880	3017
TP3D3090	2009	2127	2363	2599	2836	2729	2859	2978	3120
TP3D3390	2074	2196	2440	2684	2928	2818	2952	3074	3221
TP3D3690	2139	2265	2517	2769	3020	2907	3046	3171	3322
TP3D3990	2204	2334	2594	2854	3112	2996	3140	3268	3423
TP3D4290	2269	2403	2671	2939	3204	3085	3234	3365	3524
TP3D4590	2334	2472	2748	3024	3296	3174	3328	3462	3625
TP3D4890	2399	2541	2825	3109	3388	3263	3422	3559	3726
93"H	A	B	C	D	E	F	G	H	I
TP3D2493	1919	2032	2258	2484	2710	2608	2732	2846	2981
TP3D2793	1990	2107	2341	2575	2809	2704	2833	2949	3090
TP3D3093	2060	2182	2424	2666	2909	2799	2933	3054	3200
TP3D3393	2131	2256	2507	2758	3008	2896	3034	3158	3309
TP3D3693	2202	2331	2590	2849	3108	2991	3134	3263	3419
TP3D3993	2273	2406	2673	2940	3208	3086	3234	3368	3529
TP3D4293	2344	2481	2756	3031	3308	3181	3334	3473	3639
TP3D4593	2415	2556	2839	3122	3408	3276	3434	3578	3749
TP3D4893	2486	2631	2922	3213	3508	3371	3534	3683	3859
96"H	A	B	C	D	E	F	G	H	I
TP3D2496	1938	2052	2280	2508	2736	2633	2759	2873	3010
TP3D2796	2009	2128	2364	2600	2837	2730	2860	2979	3121
TP3D3096	2081	2203	2448	2693	2938	2828	2962	3085	3232
TP3D3396	2152	2279	2532	2785	3038	2924	3064	3190	3342
TP3D3696	2224	2354	2616	2878	3139	3022	3166	3296	3453
TP3D3996	2296	2429	2700	2971	3240	3120	3268	3402	3564
TP3D4296	2368	2504	2784	3064	3341	3218	3370	3508	3675
TP3D4596	2440	2579	2868	3157	3442	3316	3472	3614	3786
TP3D4896	2512	2654	2952	3250	3543	3414	3574	3720	3897



- Finished Interior
- Lower section is a standard Door/Drawer Base
- Includes 4 adjustable full-depth shelves
- Loose toe base may be specified (plywood only) - ordered separately - see ACCESSORIES section
- Modifications to Tall cabinets require a specifications drawing
- **NOTE: Tall cabinets cannot be ordered with Horizontal Grain direction without modifying the cabinet door height. The maximum door height for Horizontal Grain is 48".**
- **The sides and back of all tall cabinets will be vertical grain. Overlay Doors or Panels can be ordered separately and applied in the field (see the ACCESSORIES section).**
- **Cabinets exceeding 94 inches in height will be subject to an extra shipping and handling charge.**

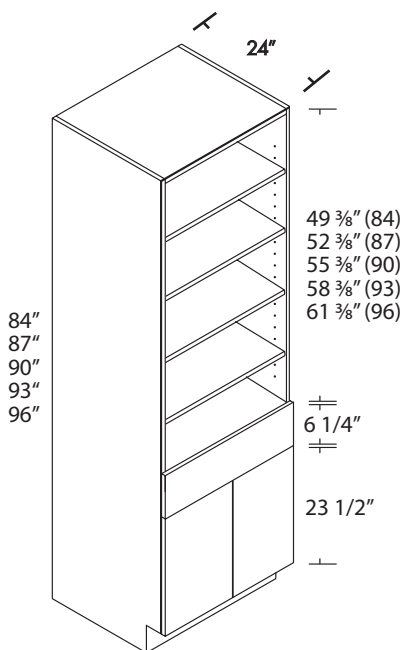


Single Door	Econ	Prism, Alvic, Egger				Painted			
84"H	A	B	C	D	E	F	G	H	I
TH1284	2846	3017	3352	3687	4025	3872	4057	4227	4430
TH1584	2876	3048	3387	3726	4067	3913	4100	4271	4476
TH1884	2906	3079	3422	3765	4109	3954	4143	4315	4522
TH2184	2906	3079	3422	3765	4109	3954	4143	4315	4522
TH2484-1	2798	2968	3297	3626	3955	3808	3990	4155	4354
87"H	A	B	C	D	E	F	G	H	I
TH1287	2860	3032	3369	3706	4043	3892	4078	4247	4450
TH1587	2891	3064	3405	3746	4087	3934	4122	4293	4498
TH1887	2922	3096	3441	3786	4131	3976	4166	4339	4546
TH2187	2922	3096	3441	3786	4131	3976	4166	4339	4546
TH2487-1	2823	2989	3320	3657	3988	3840	4024	4189	4390
90"H	A	B	C	D	E	F	G	H	I
TH1290	2883	3053	3392	3735	4074	3922	4110	4279	4484
TH1590	2913	3085	3428	3774	4117	3963	4153	4324	4531
TH1890	2943	3117	3464	3813	4160	4004	4196	4369	4578
TH2190	2943	3117	3464	3813	4160	4004	4196	4369	4578
TH2490-1	2840	3014	3345	3682	4018	3868	4049	4222	4421
93"H	A	B	C	D	E	F	G	H	I
TH1293	2910	3086	3427	3772	4116	3962	4149	4324	4529
TH1593	2945	3122	3468	3817	4165	4009	4199	4375	4583
TH1893	2980	3158	3509	3862	4214	4056	4249	4426	4637
TH2193	2980	3158	3509	3862	4214	4056	4249	4426	4637
TH2493-1	2851	3020	3353	3686	4030	3873	4055	4230	4435
96"H	A	B	C	D	E	F	G	H	I
TH1296	2887	3058	3396	3734	4081	3923	4108	4284	4491
TH1596	2923	3096	3439	3782	4132	3973	4161	4338	4547
TH1896	2959	3134	3482	3830	4183	4023	4214	4392	4603
TH2196	2995	3172	3525	3878	4234	4073	4267	4446	4659
TH2496-1	3031	3220	3593	3966	4343	4173	4375	4568	4792

Double Doors	Econ	Prism, Alvic, Egger				Painted			
84"H	A	B	C	D	E	F	G	H	I
TH2484	3046	3235	3608	3981	4358	4188	4390	4583	4807
TH2784	3064	3253	3626	3999	4376	4206	4408	4601	4825
TH3084	3082	3271	3644	4017	4394	4224	4426	4619	4843
TH3384	3100	3289	3662	4035	4412	4242	4444	4637	4861
TH3684	3118	3307	3680	4053	4430	4260	4462	4655	4879
TH3984	3136	3325	3698	4071	4448	4278	4480	4673	4897
TH4284	3154	3343	3716	4089	4466	4296	4498	4691	4915
TH4584	3172	3361	3734	4107	4484	4314	4516	4709	4933
TH4884	3190	3379	3752	4125	4502	4332	4534	4727	4951

- Finished Interior
- Lower section is a standard Door/Drawer Base
- Includes 4 adjustable full-depth shelves
- Loose toe base may be specified (plywood only) - ordered separately - see ACCESSORIES section
- Modifications to Tall cabinets require a specifications drawing
- *NOTE: Tall cabinets cannot be ordered with Horizontal Grain direction without modifying the cabinet door height. The maximum door height for Horizontal Grain is 48".*
- *The sides and back of all tall cabinets will be vertical grain. Overlay Doors or Panels can be ordered separately and applied in the field (see the ACCESSORIES section).*
- *Cabinets exceeding 94 inches in height will be subject to an extra shipping and handling charge.*

Double Doors	Econ	Prism, Alvic, Egger				Painted			
87"H	A	B	C	D	E	F	G	H	I
TH2487	3071	3256	3636	4016	4391	4224	4432	4617	4843
TH2787	3089	3274	3654	4034	4409	4242	4450	4635	4861
TH3087	3107	3292	3672	4052	4427	4260	4468	4653	4879
TH3387	3125	3310	3690	4070	4445	4278	4486	4671	4897
TH3687	3143	3328	3708	4088	4463	4296	4504	4689	4915
TH3987	3161	3346	3726	4106	4481	4314	4522	4707	4933
TH4287	3179	3364	3744	4124	4499	4332	4540	4725	4951
TH4587	3197	3382	3762	4142	4517	4350	4558	4743	4969
TH4887	3215	3400	3780	4160	4535	4368	4576	4761	4987
90"H	A	B	C	D	E	F	G	H	I
TH2490	3086	3277	3659	4041	4419	4250	4460	4651	4874
TH2790	3104	3295	3677	4059	4437	4268	4478	4669	4892
TH3090	3122	3313	3695	4077	4455	4286	4496	4687	4910
TH3390	3140	3331	3713	4095	4473	4304	4514	4705	4928
TH3690	3158	3349	3731	4113	4491	4322	4532	4723	4946
TH3990	3176	3367	3749	4131	4509	4340	4550	4741	4964
TH4290	3194	3385	3767	4149	4527	4358	4568	4759	4982
TH4590	3212	3403	3785	4167	4545	4376	4586	4777	5000
TH4890	3230	3421	3803	4185	4563	4394	4604	4795	5018
93"H	A	B	C	D	E	F	G	H	I
TH2493	3166	3360	3749	4138	4527	4351	4564	4763	4995
TH2793	3184	3378	3767	4156	4545	4369	4582	4781	5013
TH3093	3202	3396	3785	4174	4563	4387	4600	4799	5031
TH3393	3220	3414	3803	4192	4581	4405	4618	4817	5049
TH3693	3238	3432	3821	4210	4599	4423	4636	4835	5067
TH3993	3256	3450	3839	4228	4617	4441	4654	4853	5085
TH4293	3274	3468	3857	4246	4635	4459	4672	4871	5103
TH4593	3292	3486	3875	4264	4653	4477	4690	4889	5121
TH4893	3310	3504	3893	4282	4671	4495	4708	4907	5139
96"H	A	B	C	D	E	F	G	H	I
TH2496	3196	3392	3783	4179	4570	4398	4612	4803	5045
TH2796	3214	3410	3801	4197	4588	4416	4630	4821	5063
TH3096	3232	3428	3819	4215	4606	4434	4648	4839	5081
TH3396	3250	3446	3837	4233	4624	4452	4666	4857	5099
TH3696	3268	3464	3855	4251	4642	4470	4684	4875	5117
TH3996	3286	3482	3873	4269	4660	4488	4702	4893	5135
TH4296	3304	3500	3891	4287	4678	4506	4720	4911	5153
TH4596	3322	3518	3909	4305	4696	4524	4738	4929	5171
TH4896	3340	3536	3927	4323	4714	4542	4756	4947	5189



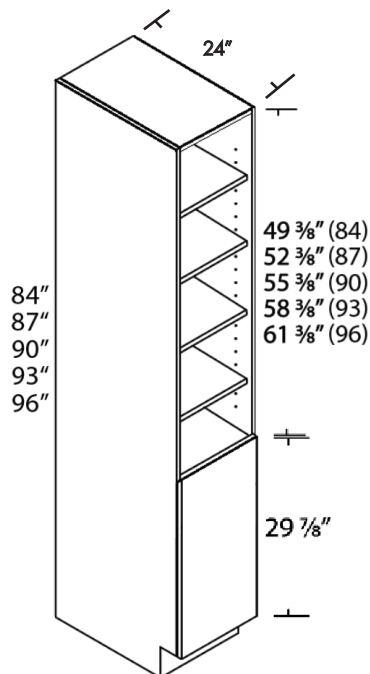
TALL HUTCH - FULL-HEIGHT BASE - SINGLE & DOUBLE DOORS 77

- Finished Interior
- Lower section is a standard full-height Base
- Includes 4 adjustable full-depth shelves
- Loose toe base may be specified - must be ordered separately - see the ACCESSORIES section
- Modifications to Tall cabinets require a specifications drawing

• *NOTE: Tall cabinets cannot be ordered with Horizontal Grain direction without modifying the cabinet door height. The maximum door height for Horizontal Grain is 48".*

• *The sides and back of all tall cabinets will be vertical grain. Overlay Doors or Panels can be ordered separately and applied in the field (see the ACCESSORIES section).*

• *Cabinets exceeding 94 inches in height will be subject to an extra shipping and handling charge.*

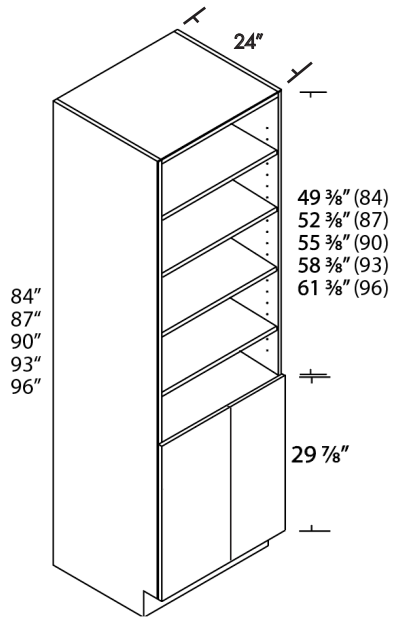


Single Door	Econ	Prism, Alvic, Egger				Painted			
84" H	A	B	C	D	E	F	G	H	I
THFH128424	2801	2970	3297	3624	3956	3805	3986	4154	4353
THFH158424	2831	3001	3332	3663	3998	3846	4029	4198	4399
THFH188424	2861	3032	3367	3702	4040	3887	4072	4242	4445
THFH218424	2891	3063	3402	3741	4082	3928	4115	4286	4491
THFH248424-1	2921	3094	3437	3780	4124	3969	4158	4330	4537
87" H	A	B	C	D	E	F	G	H	I
THFH128724	2813	2983	3312	3641	3970	3823	4005	4170	4369
THFH158724	2844	3015	3348	3681	4014	3865	4049	4216	4417
THFH188724	2875	3047	3384	3721	4058	3907	4093	4262	4465
THFH218724	2906	3079	3420	3761	4102	3949	4137	4308	4513
THFH248724-1	2937	3111	3456	3801	4146	3991	4181	4354	4561
90" H	A	B	C	D	E	F	G	H	I
THFH129024	2838	3004	3335	3672	4003	3855	4039	4204	4405
THFH159024	2868	3036	3371	3711	4046	3896	4082	4249	4452
THFH189024	2898	3068	3407	3750	4089	3937	4125	4294	4499
THFH219024	2928	3100	3443	3789	4132	3978	4168	4339	4546
THFH249024-1	2958	3132	3479	3828	4175	4019	4211	4384	4593
93" H	A	B	C	D	E	F	G	H	I
THFH129324	2855	3029	3360	3697	4033	3883	4064	4237	4436
THFH159324	2890	3065	3401	3742	4082	3930	4114	4288	4490
THFH189324	2925	3101	3442	3787	4131	3977	4164	4339	4544
THFH219324	2960	3137	3483	3832	4180	4024	4214	4390	4598
THFH249324-1	2995	3173	3524	3877	4229	4071	4264	4441	4652
96" H	A	B	C	D	E	F	G	H	I
THFH129624	2866	3035	3368	3701	4045	3888	4070	4245	4450
THFH159624	2902	3073	3411	3749	4096	3938	4123	4299	4506
THFH189624	2938	3111	3454	3797	4147	3988	4176	4353	4562
THFH219624	2974	3149	3497	3845	4198	4038	4229	4407	4618
THFH249624-1	3010	3187	3540	3893	4249	4088	4282	4461	4674

Double Doors	Econ	Prism, Alvic, Egger				Painted			
84" H	A	B	C	D	E	F	G	H	I
THFH248424	2951	3125	3472	3819	4166	4010	4201	4374	4583
THFH278424	2981	3156	3507	3858	4208	4051	4244	4418	4629
THFH308424	3011	3187	3542	3897	4250	4092	4287	4462	4675
THFH338424	3041	3218	3577	3936	4292	4133	4330	4506	4721
THFH368424	3071	3249	3612	3975	4334	4174	4373	4550	4767
THFH398724	3101	3280	3647	4014	4376	4215	4416	4594	4813
THFH428724	3131	3311	3682	4053	4418	4256	4459	4638	4859
THFH458724	3161	3342	3717	4092	4460	4297	4502	4682	4905
THFH488724	3191	3373	3752	4131	4502	4338	4545	4726	4951

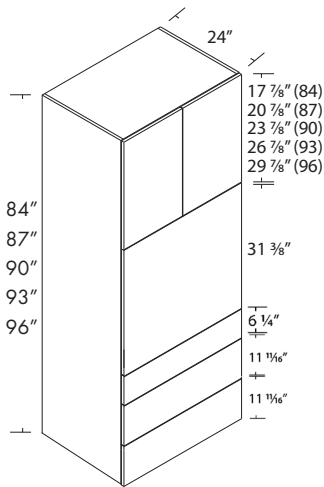
- Finished Interior
- Lower section is a standard full-height Base
- Includes 4 adjustable full-depth shelves
- Loose toe base may be specified - must be ordered separately - see the ACCESSORIES section
- Modifications to Tall cabinets require a specifications drawing
- *NOTE: Tall cabinets cannot be ordered with Horizontal Grain direction without modifying the cabinet door height. The maximum door height for Horizontal Grain is 48".*
- *The sides and back of all tall cabinets will be vertical grain. Overlay Doors or Panels can be ordered separately and applied in the field (see the ACCESSORIES section).*
- *Cabinets exceeding 94 inches in height will be subject to an extra shipping and handling charge.*

Double Doors	Econ	Prism, Alvic, Egger				Painted			
87"H	A	B	C	D	E	F	G	H	I
THFH248724	2968	3143	3492	3841	4190	4033	4225	4400	4609
THFH278724	2999	3175	3528	3881	4234	4075	4269	4446	4657
THFH308724	3030	3207	3564	3921	4278	4117	4313	4492	4705
THFH338724	3061	3239	3600	3961	4322	4159	4357	4538	4753
THFH368724	3092	3271	3636	4001	4366	4201	4401	4584	4801
THFH398724	3123	3303	3672	4041	4410	4243	4445	4630	4849
THFH428724	3154	3335	3708	4081	4454	4285	4489	4676	4897
THFH458724	3185	3367	3744	4121	4498	4327	4533	4722	4945
THFH488724	3216	3399	3780	4161	4542	4369	4577	4768	4993
90"H	A	B	C	D	E	F	G	H	I
THFH249024	2988	3164	3515	3867	4218	4060	4254	4429	4640
THFH279024	3018	3196	3551	3906	4261	4101	4297	4474	4687
THFH309024	3048	3228	3587	3945	4304	4142	4340	4519	4734
THFH339024	3078	3260	3623	3984	4347	4183	4383	4564	4781
THFH369024	3108	3292	3659	4023	4390	4224	4426	4609	4828
THFH399024	3138	3324	3695	4062	4433	4265	4469	4654	4875
THFH429024	3168	3356	3731	4101	4476	4306	4512	4699	4922
THFH459024	3198	3388	3767	4140	4519	4347	4555	4744	4969
THFH489024	3228	3420	3803	4179	4562	4388	4598	4789	5016
93"H	A	B	C	D	E	F	G	H	I
THFH249324	3030	3209	3565	3922	4278	4118	4314	4492	4706
THFH279324	3065	3245	3606	3967	4327	4165	4364	4543	4760
THFH309324	3100	3281	3647	4012	4376	4212	4414	4594	4814
THFH339324	3135	3317	3688	4057	4425	4259	4464	4645	4868
THFH369324	3170	3353	3729	4102	4474	4306	4514	4696	4922
THFH399324	3205	3389	3770	4147	4523	4353	4564	4747	4976
THFH429324	3240	3425	3811	4192	4572	4400	4614	4798	5030
THFH459324	3275	3461	3852	4237	4621	4447	4664	4849	5084
THFH489324	3310	3497	3893	4282	4670	4494	4714	4900	5138
96"H	A	B	C	D	E	F	G	H	I
THFH249624	3046	3225	3583	3941	4300	4138	4335	4515	4730
THFH279624	3082	3263	3626	3989	4351	4188	4388	4569	4786
THFH309624	3118	3301	3669	4037	4402	4238	4441	4623	4842
THFH339624	3154	3339	3712	4085	4453	4288	4494	4677	4898
THFH369624	3190	3377	3755	4133	4504	4338	4547	4731	4954
THFH399624	3226	3415	3798	4181	4555	4388	4600	4785	5010
THFH429624	3262	3453	3841	4229	4606	4438	4653	4839	5066
THFH459624	3298	3491	3884	4277	4657	4488	4706	4893	5122
THFH489624	3334	3529	3927	4325	4708	4538	4759	4947	5178



- Oven panel is shipped loose - clips included for installation
- All cut outs must be made at the job site
- Lower section is a standard 3-drawer Base
- Shelf quantity matches wall cabinets
- Nominal height includes 4-1/2"H toe kick area using the Hafele Axilo plinth
- Loose toe base may be specified (plywood only) - ordered separately - see ACCESSORIES section
- Modifications to Tall cabinets require a specifications drawing
- **NOTE: Tall cabinets cannot be ordered with Horizontal Grain direction without modifying the cabinet door height. The maximum door height for Horizontal Grain is 48".**
- **The sides and back of all tall cabinets will be vertical grain. Overlay Doors or Panels can be ordered separately and applied in the field (see ACCESSORIES section).**
- **Cabinets exceeding 94 inches in height will be subject to an extra shipping and handling charge.**

	Econ	Prism, Alvic, Egger				Painted			
84"	A	B	C	D	E	F	G	H	I
TOS3084	1971	2087	2319	2551	2783	2679	2806	2922	3061
TOS3384	2032	2151	2390	2629	2868	2760	2892	3011	3155
TOS3684	2093	2215	2461	2707	2953	2841	2978	3100	3249
87"	A	B	C	D	E	F	G	H	I
TOS3087	1990	2107	2341	2575	2809	2704	2833	2949	3090
TOS3387	2053	2174	2415	2657	2898	2790	2923	3043	3188
TOS3687	2116	2241	2489	2739	2987	2876	3013	3137	3286
90"	A	B	C	D	E	F	G	H	I
TOS3090	2009	2127	2363	2599	2836	2729	2859	2978	3120
TOS3390	2074	2196	2440	2684	2928	2818	2952	3074	3221
TOS3690	2139	2265	2517	2769	3020	2907	3045	3170	3322
93"	A	B	C	D	E	F	G	H	I
TOS3093	2060	2182	2424	2666	2909	2799	2933	3054	3200
TOS3393	2131	2256	2507	2758	3008	2896	3034	3158	3309
TOS3693	2202	2330	2590	2850	3107	2993	3135	3262	3418
96"	A	B	C	D	E	F	G	H	I
TOS3096	2081	2203	2448	2693	2938	2828	2962	3085	3232
TOS3396	2152	2279	2532	2785	3038	2924	3064	3190	3342
TOS3696	2223	2355	2616	2877	3138	3020	3166	3295	3452



- Oven panel is shipped loose - clips included for installation
- All cut outs must be made at the job site
- Single bottom drawer
- Shelf quantity matches wall cabinets
- Loose oven support shelf ordered separately - see ACCESSORIES section
- Nominal height includes 4-1/2"H toe kick area using the Hafele Axilo plinth
- Loose toe base may be specified (plywood only) - ordered separately - see ACCESSORIES section
- Modifications to Tall cabinets require a specifications drawing

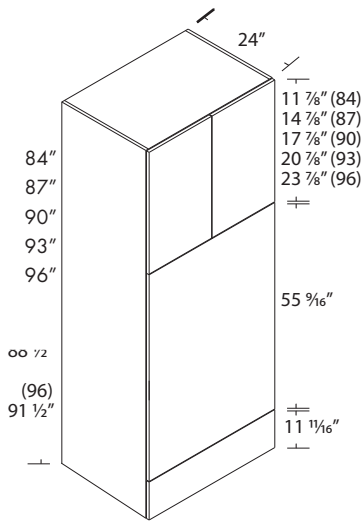
NOTE: Tall cabinets cannot be ordered with Horizontal Grain direction without modifying the cabinet door height. The maximum door height for Horizontal Grain is 48".

The sides and back of all tall cabinets will be vertical grain. Overlay Doors or Panels can be ordered separately and applied in the field (see ACCESSORIES section).

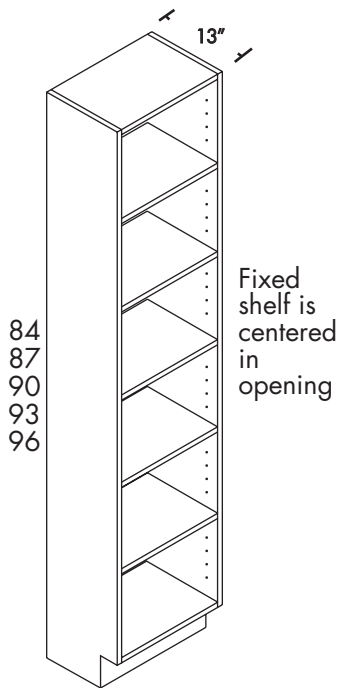
Cabinets exceeding 94 inches in height will be subject to an extra shipping and handling charge.

	Econ	Prism, Alvic, Egger				Painted			
84"	A	B	C	D	E	F	G	H	I
TOD3084	1799	1903	1742	1916	2090	2012	2108	2195	2299
TOD3384	1935	2049	1777	1955	2132	2053	2151	2239	2345
TOD3684	1539	1630	1812	1994	2174	2094	2194	2283	2391
87"	A	B	C	D	E	F	G	H	I
TOD3087	1499	1588	1764	1940	2117	2037	2134	2223	2329
TOD3387	1530	1620	1800	1980	2160	2079	2178	2268	2376
TOD3687	1561	1652	1836	2020	2203	2121	2222	2313	2423
90"	A	B	C	D	E	F	G	H	I
TOD3090	1885	1997	1787	1966	2144	2064	2163	2251	2358
TOD3390	2032	2156	1823	2005	2188	2105	2206	2297	2407
TOD3690	1581	1674	1859	2044	2232	2146	2249	2343	2456
93"	A	B	C	D	E	F	G	H	I
TOD3093	1934	2050	1847	2032	2216	2134	2235	2327	2438
TOD3393	1605	1699	1888	2077	2266	2181	2285	2379	2493
TOD3693	1640	1736	1929	2122	2316	2228	2335	2431	2548
96"	A	B	C	D	E	F	G	H	I
TOD3096	2019	2138	1869	2056	2243	2159	2262	2355	2467
TOD3396	2130	2262	1912	2103	2294	2208	2313	2409	2523
TOD3696	1661	1760	1955	2150	2345	2257	2364	2463	2579

- Loose oven support shelf order separately - see the ACCESSORIES section
- Proper installation required.
- Prodigy Cabinetry assumes no responsibility for damage due to improper installation



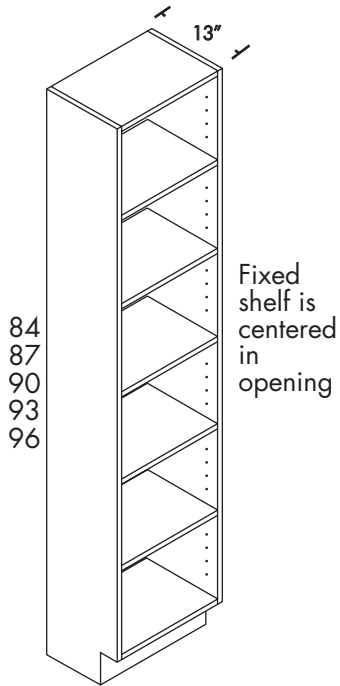
- Finished Interior
- 4 adjustable shelves plus fixed center shelf
- Loose toe base may be specified (plywood only) - ordered separately - see ACCESSORIES section
- Modifications to Tall cabinets require a specifications drawing
- *NOTE: Tall cabinets cannot be ordered with Horizontal Grain direction without modifying the cabinet door height. The maximum door height for Horizontal Grain is 48".*
- *The sides and back of all tall cabinets will be vertical grain. Overlay Doors or Panels can be ordered separately and applied in the field (see ACCESSORIES section).*
- *Cabinets exceeding 94 inches in height will be subject to an extra shipping and handling charge.*



	Econ	Prism, Alvic, Egger				Painted			
84"	A	B	C	D	E	F	G	H	I
TSU1284	1927	2037	2262	2487	2716	2614	2737	2851	2986
TSU1584	1966	2079	2309	2539	2772	2668	2794	2910	3048
TSU1884	2005	2121	2356	2591	2828	2722	2851	2969	3110
TSU2184	2044	2163	2403	2643	2884	2776	2908	3028	3172
TSU2484	2083	2205	2450	2695	2940	2830	2965	3087	3234
TSU2784	2122	2247	2497	2747	2996	2884	3022	3146	3296
TSU3084	2162	2289	2543	2797	3052	2937	3077	3205	3357
TSU3384	2201	2330	2589	2848	3107	2990	3133	3262	3418
TSU3684	2240	2372	2635	2899	3162	3044	3189	3320	3478
TSU3984	2279	2414	2681	2950	3217	3098	3245	3378	3538
TSU4284	2318	2456	2727	3001	3272	3152	3301	3436	3598
TSU4584	2357	2498	2773	3052	3327	3206	3357	3494	3658
TSU4884	2396	2540	2819	3103	3382	3260	3413	3552	3718
87"	A	B	C	D	E	F	G	H	I
TSU1287	1961	2073	2302	2531	2764	2656	2785	2901	3043
TSU1587	2000	2115	2349	2583	2820	2711	2842	2960	3104
TSU1887	2039	2157	2396	2635	2876	2766	2899	3019	3165
TSU2187	2078	2199	2443	2687	2932	2821	2956	3078	3226
TSU2487	2117	2241	2490	2739	2988	2876	3013	3137	3287
TSU2787	2156	2283	2537	2791	3044	2931	3070	3196	3348
TSU3087	2196	2325	2583	2841	3100	2983	3125	3255	3410
TSU3387	2235	2366	2629	2892	3155	3037	3181	3313	3471
TSU3687	2274	2408	2675	2943	3210	3090	3237	3371	3531
TSU3987	2313	2450	2721	2994	3265	3143	3293	3429	3591
TSU4287	2352	2492	2767	3045	3320	3196	3349	3487	3651
TSU4587	2391	2534	2813	3096	3375	3249	3405	3545	3711
TSU4887	2430	2576	2859	3147	3430	3302	3461	3603	3771
90"	A	B	C	D	E	F	G	H	I
TSU1290	1995	2109	2342	2575	2812	2702	2829	2952	3096
TSU1590	2034	2151	2389	2627	2868	2757	2887	3011	3157
TSU1890	2073	2193	2436	2679	2924	2812	2945	3070	3218
TSU2190	2112	2235	2483	2731	2980	2867	3003	3129	3279
TSU2490	2151	2277	2530	2783	3036	2922	3061	3188	3340
TSU2790	2190	2319	2577	2835	3092	2977	3119	3247	3401
TSU3090	2230	2361	2623	2885	3148	3029	3174	3305	3463
TSU3390	2269	2402	2669	2936	3203	3083	3230	3363	3523
TSU3690	2308	2444	2715	2987	3258	3136	3286	3421	3584
TSU3990	2347	2486	2761	3038	3313	3189	3342	3479	3645
TSU4290	2386	2528	2807	3089	3368	3242	3398	3537	3706
TSU4590	2425	2570	2853	3140	3423	3295	3454	3595	3767
TSU4890	2464	2612	2899	3191	3478	3348	3510	3653	3828

- Finished Interior
- 4 adjustable shelves plus fixed center shelf
- Loose toe base may be specified (plywood only) - ordered separately - see ACCESSORIES section
- Modifications to Tall cabinets require a specifications drawing
- **NOTE:** Tall cabinets cannot be ordered with Horizontal Grain direction without modifying the cabinet door height. The maximum door height for Horizontal Grain is 48".
- The sides and back of all tall cabinets will be vertical grain. Overlay Doors or Panels can be ordered separately and applied in the field (see ACCESSORIES section).
- Cabinets exceeding 94 inches in height will be subject to an extra shipping and handling charge.

	Econ	Prism, Alvic, Egger				Painted			
93"	A	B	C	D	E	F	G	H	I
TSU1293	2029	2145	2382	2619	2860	2748	2882	3002	3144
TSU1593	2068	2187	2429	2671	2916	2803	2939	3061	3206
TSU1893	2107	2229	2476	2723	2972	2858	2996	3120	3268
TSU2193	2146	2271	2523	2775	3028	2913	3053	3179	3330
TSU2493	2185	2313	2570	2827	3084	2968	3110	3238	3392
TSU2793	2224	2355	2617	2879	3140	3023	3167	3297	3454
TSU3093	2264	2397	2663	2929	3196	3075	3222	3356	3516
TSU3393	2303	2438	2709	2980	3251	3129	3278	3414	3576
TSU3693	2342	2480	2755	3031	3306	3183	3334	3471	3637
TSU3993	2381	2522	2801	3082	3361	3237	3390	3528	3698
TSU4293	2420	2564	2847	3133	3416	3291	3446	3585	3759
TSU4593	2459	2606	2893	3184	3471	3345	3502	3642	3820
TSU4893	2498	2648	2939	3235	3526	3399	3558	3699	3881
96"	A	B	C	D	E	F	G	H	I
TSU1296	2063	2181	2422	2663	2908	2799	2930	3057	3197
TSU1596	2102	2223	2469	2715	2964	2853	2987	3115	3259
TSU1896	2141	2265	2516	2767	3020	2907	3044	3173	3321
TSU2196	2180	2307	2563	2819	3076	2961	3101	3231	3383
TSU2496	2219	2349	2610	2871	3132	3015	3158	3289	3445
TSU2796	2258	2391	2657	2923	3188	3069	3215	3347	3507
TSU3096	2298	2433	2703	2973	3244	3122	3270	3406	3568
TSU3396	2337	2474	2749	3024	3299	3175	3326	3464	3629
TSU3696	2376	2516	2795	3075	3354	3229	3383	3522	3689
TSU3996	2415	2558	2841	3126	3409	3283	3440	3580	3749
TSU4296	2454	2600	2887	3177	3464	3337	3497	3638	3809
TSU4596	2493	2642	2933	3228	3519	3391	3554	3696	3869
TSU4896	2532	2684	2979	3279	3574	3445	3611	3754	3929



Custom Cabinets, Modifications and Quotes

Our shop is equipped to produce products that go beyond the specifications in this manual, including ADA and other project-specific requirements often requested by builders and private clients. To request a custom product or requirement:

- Clearly describe the custom piece, construction, or requirement on the Custom Request Form in this manual.
- Provide dimensioned plan and elevation drawings, including dimensions for appliances or hardware, if needed. We will manufacture based on the provided dimensions and specs only. If we calculate dimensions, construction information or pricing, a shop drawing signature is required.
- Any changes or clarifications to specs or final shop drawings must be in writing before placing an order.
- Custom orders cannot be altered or canceled after placement without a penalty.
- Quantity orders may qualify for special pricing.
- Custom products and modifications may have extended lead times.
- Custom cabinets will require CAD drawings for each custom cabinet.
- CAD drawings will incur an additional charge of \$50 per hour.

Aluminum Doors from Element Designs - <https://www.element-designs.com>

- Available at standard lead time.
- AF011 frame style and regular or Aventos HK-XS hinges.
- Natural or Stainless Aluminum frame with Clear or Satin glass.
- Standard on WLAD, WCSLA, and WCCLA cabinets
- Request a quote for all Element doors
- Other products available upon request - requires quote.



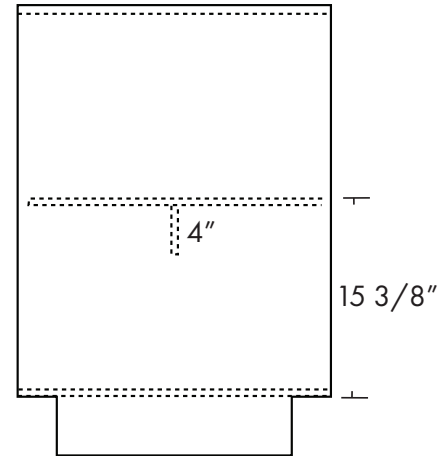
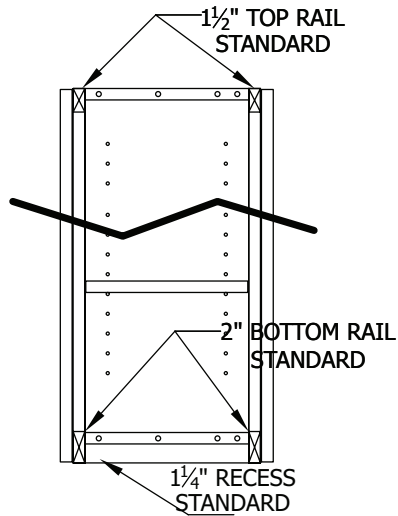
Modifications - Integrated Finger Pull

DESCRIPTION	SKU	LIST
Door-Integrated J Fingerpull	JPULL	400 per Door\Drawer
Available ONLY in these finish colors:		
<ul style="list-style-type: none"> • Luxe: Antracita, Blanco • Zenit: Antracita, Blanco • Synchron - Horizontal Grain ONLY: Muratti 01, Muratti 04, Olmo 03 		
• Maximum Door Height = 45 3/4"		
• *NOTE - Doors are 22mm thick - SLAB ONLY		



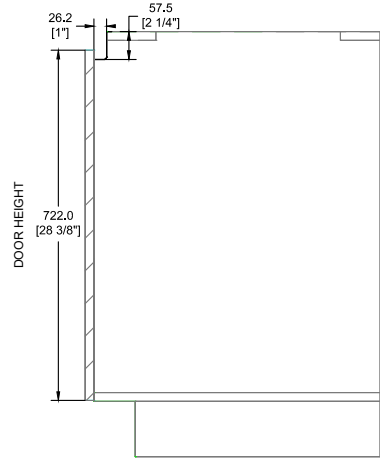
DESCRIPTION	SKU	LIST
Peninsula cabinet modification	PENCAB	60% of Cabinet List

- Straight wall and base cabinets may be constructed as peninsula cabinets.
- All peninsula cabinets will have stabilizer rails inside - see specs below.
- Peninsula cabinets require special installation to remain stable.
- Drawing may be required to ensure expectations are met.
- Prodigy Cabinetry is not responsible for inadequate installation.



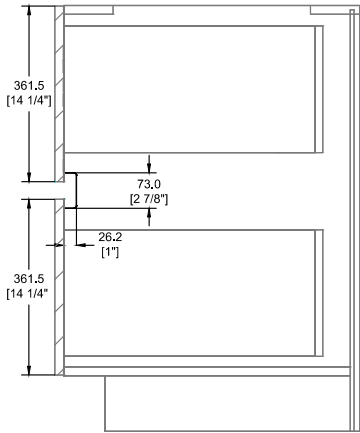
General Information

- It is always recommended to end a run with an applied panel rather than an integrated finished end.
- Specifications represent metal channels. Channels that match door material are not available on the Door\Drawer configuration.
- Cabinets outside the configurations shown here must be requested via specification drawing.
- It is recommended to extend wall cabinet doors down rather than use channels on them.



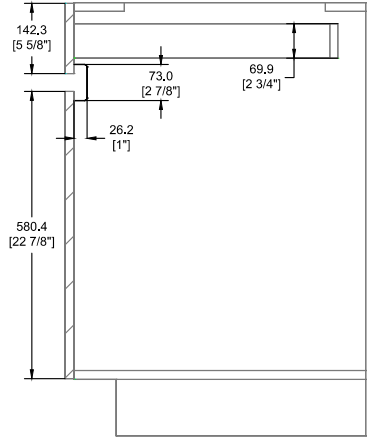
Base Full Height Door Cabinet

- Channel will be at the top of the door
- One NOTCH charge required
- Uses C-Channel



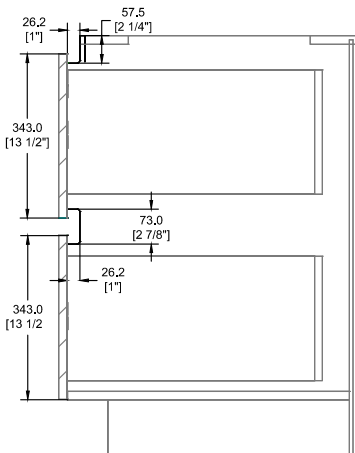
Base 2-Drawer Cabinet - Single Channel

- Channel will be between the drawers
- One NOTCH charge required
- Uses C-Channel



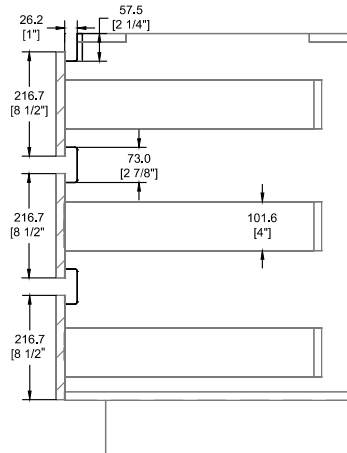
Base Door\Drawer Cabinet

- Channel will be between the door and drawer
- One NOTCH charge required
- Uses C-Channel
- Notch above drawer IS NOT available
- Not available with Door Matching channels



Base 2-Drawer Cabinet - Double Channel

- Channel will be above each drawer
- Two NOTCH charges required
- Uses L-Channel and C-Channel



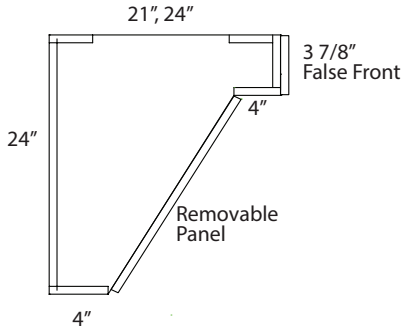
Base 3-Drawer Cabinet - Triple Channel

- Channel will be above each drawer
- All drawer fronts equal height
- 4" drawer boxes
- Three NOTCH charges required
- Uses L-Channel and C-Channel

Channel Cabinet modification	CHANCAB	Cabinet Upcharge of 60%
Notch for Channel	CHANNOTCH	120 per set
Matching Door Material	CHANM	550 per 96" strip
• Matching Channel requires "L" brackets for installation - not provided		
Natural Aluminum L-Channel	CHANLA	750 per 96" strip
Stainless Aluminum L-Channel	CHANLS	750 per 96" strip
White Aluminum L-Channel	CHANLW	750 per 96" strip
Black Aluminum L-Channel	CHANLB	750 per 96" strip
Natural Aluminum C-Channel	CHANCA	750 per 96" strip
Stainless Aluminum C-Channel	CHANCS	750 per 96" strip
White Aluminum C-Channel	CHANCW	750 per 96" strip
Black Aluminum C-Channel	CHANCB	750 per 96" strip

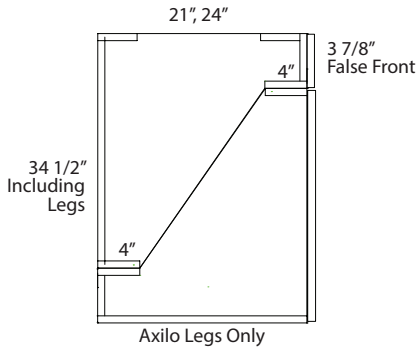
- Door height is reduced to allow finger grip behind door edge
- Elevation drawings indicating channel locations are REQUIRED
- Channel molding to be mounted on site after cabinet installation
- See information on facing page for standard configurations
- All configurations not represented on facing page require a specification drawing for approval and quote
- Mounting Clips and End Caps ordered separately.

- Includes finished sides
- **ALL** modifications require a specification drawing and quote - a charge will be added for drawing



Floating	Econ		Alvic, Egger			Painted			
Vanity 21" Deep	A	B	C	D	E	F	G	H	I
VSADA3024	1159	1228	1364	1500	1637	1575	1650	1719	1801
VSADA3324	1197	1267	1408	1549	1690	1626	1704	1775	1859
VSADA3624	1234	1307	1452	1597	1742	1677	1757	1829	1916
Base 24" Deep									
BSADA3024	1159	1228	1364	1500	1637	1575	1650	1719	1801
BSADA3324	1197	1267	1408	1549	1690	1626	1704	1775	1859
BSADA3624	1234	1307	1452	1597	1742	1677	1757	1829	1916

- Includes finished sides
- **ALL** modifications require a specification drawing and quote - a charge will be added for drawing



2 Part	Econ		Alvic, Egger			Painted			
Vanity 21" Deep	A	B	C	D	E	F	G	H	I
VSADA30	1234	1307	1452	1597	1742	1677	1757	1829	1916
VSADA33	1275	1350	1500	1650	1800	1733	1815	1890	1980
VSADA36	1314	1391	1546	1701	1855	1786	1871	1948	2041
Base 24" Deep									
BSADA30	1234	1307	1452	1597	1742	1677	1757	1829	1916
BSADA33	1275	1350	1500	1650	1800	1733	1815	1890	1980
BSADA36	1314	1391	1546	1701	1855	1786	1871	1948	2041

Accessory Standards

End Panel width captures cabinet depth and door/drawer/panel side.

"L" Panel dimensions may be adjusted; minimum overlay return width is 1-1/2".

Cut-to-size panels have multiple SKUs for different uses; CTS panel prices match stock panel square foot pricing.

Cut-to-size doors/drawer fronts come in multiple SKUs; CTS doors/drawers match stock door square foot pricing.

Veneer skins are sold by the sheet; partial sheets are not available.

"J" Panels have a non-adjustable 8" return leg in the Paint line.

Box Column Panels are fully finished; Wall Box Columns are finished top and bottom.

Fillers match cabinet heights; Filler Overlays match door heights

Use cut-to-size panel SKUs for custom fillers/overlays.

Available Moldings vary by line and finish; refer to the Molding section for details.

Loose Shelves come in matching finishes or cabinet box material.

Loose Oven Support Shelves are available in two sizes.

Floating Shelves are offered in a limited number of finishes.

Roll Out Trays and Drawers come in 3 styles and colors.

The Hardware section now includes most Prodigy cabinet hardware.

Organizers and Dividers are shipped loose unless stated otherwise.

The Axilo Leg System is standard for the the Classic Line.

The Axlio Leg System is used on all base corner cabinets for all cabinet lines.

Accessories Index

99 - End Panels & Back Panels

100 - Panels - End with Return - Laminate

101 - Panels - Cut-to-size

101 - Doors & Drawer Fronts - Cut-to-size

102 - Doors - Overlay

102 - Veneer (Skins)

103 - Panels - "J" - Laminate - 3-part

103 - Panels - "J" - Laminate - Wrapped

104 - Panels - "J" - Painted

105 - Panels - Box Column - Laminate - 4-part

105 - Panels - Box Column - Laminate - Wrapped

106 - Panels - Box Column Painted

107 - Fillers

108 - Fillers - Overlay

109 - Loose Toe Base

110 - Standard Moldings - All Laminate Finishes

110 - Specialty Moldings - Limited Laminate Finishes

111 - Moldings - Standard - Painted

111 - Edgeband + Touch-up Kits

112 - Moldings - Decorative - Painted

113 - Loose Shelves + Oven Support Shelves

114 - Floating Shelves

115 - Roll Out Trays & Drawers

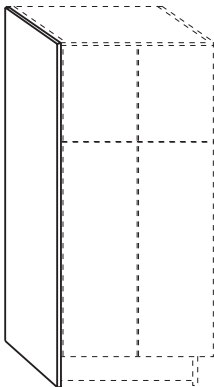
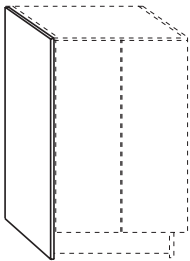
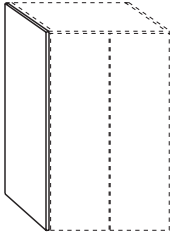
116 - Axial Drawer Box Organizers

117 - Hardware

118 - Organizers & Dividers

119 - Axilo Leg System Information

- End panel height matches cabinet height
- End panels are sized to come flush with door faces
- Finished both sides and all edges
- All custom sizes must use cut-to-size SKU
- **Requires an oversized pallet and will be charged accordingly*

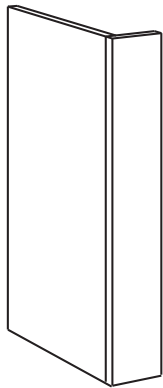


End Panel	Econ		Alvic, Egger			Painted			
	A	B	C	D	E	F	G	H	I
13 7/8" Deep									
PWE12	41	44	47	50	53	44	44	44	44
PWE15	51	55	59	63	67	55	55	55	55
PWE18	61	66	71	76	81	66	66	66	66
PWE21	71	77	83	89	95	76	76	76	76
PWE24	81	88	95	102	109	87	87	87	87
PWE27	91	99	107	115	123	98	98	98	98
PWE30	102	110	119	127	135	109	109	109	109
PWE33	112	121	131	141	151	120	120	120	120
PWE36	122	132	143	153	163	131	131	131	131
PWE39	132	143	155	165	176	141	141	141	141
PWE42	142	154	166	178	190	152	152	152	152
PWE48	163	176	190	204	218	174	174	174	174
PWE54	183	198	214	229	244	196	196	196	196
PWE60	203	220	237	254	271	217	217	217	217
21 7/8" Deep	A	B	C	D	E	F	G	H	I
PVE (34-1/2"H)	189	205	221	237	252	197	197	197	197
PVFE (23-5/8"H)	110	119	128	137	146	135	135	135	135
24 7/8" Deep	A	B	C	D	E	F	G	H	I
PBE (34-1/2"H)	216	234	252	270	288	224	224	224	224
PTE84	525	569	613	657	700	545	545	545	545
PTE87	544	589	635	680	725	564	564	564	564
PTE90	563	610	657	704	750	584	584	584	584
PTE93	582	630	679	727	775	603	603	603	603
PTE96*	600	650	701	750	800	622	622	622	622

Back Panel	Econ		Alvic, Egger			Painted			
	A	B	C	D	E	F	G	H	I
PBP34.594	845	915	986	1056	1126	845	845	845	845
PBP4294	1028	1114	1200	1285	1371	1029	1029	1029	1029

- All End Panels with Filler are edgebanded on 2 long edges to match cabinet face
- Minimum filler width = 1.5"
- Wall End Panels with Filler are edgebanded on short edges to match cabinet bottom edges
- Panels match cabinet depth
- Depending on application, Filler Overlay may be desired (not included)

• **NOTE:** Tall panels are not available on orders with Horizontal Grain direction.



"L" Panel	Econ		Alvic, Egger			Painted			
	A	B	C	D	E	F	G	H	I
PFBE3 (34-1/2"H)	190	201	223	245	268	241	241	241	241
PFVE3 (34-1/2"H)	180	191	213	235	258	214	214	214	214
PFVFE3 (23-5/8"H)	170	181	203	225	248	147	147	147	147
PFWE312	132	140	155	171	186	50	50	50	50
PFWE315	135	143	159	175	191	62	62	62	62
PFWE318	139	148	164	180	197	74	74	74	74
PFWE321	143	151	168	185	202	87	87	87	87
PFWE324	147	156	173	190	208	99	99	99	99
PFWE327	150	158	176	194	211	111	111	111	111
PFWE330	153	162	180	198	216	124	124	124	124
PFWE333	157	167	185	204	222	136	136	136	136
PFWE336	161	170	189	208	227	148	148	148	148
PFWE339	164	174	193	212	232	160	160	160	160
PFWE342	167	176	196	216	235	173	173	173	173
PFWE348	170	180	200	220	240	197	197	197	197
PFWE354	173	184	204	224	245	222	222	222	222
PFWE360	188	199	221	243	265	247	247	247	247
PFTE384	326	346	384	422	461	586	586	586	586
PFTE387	335	355	394	433	473	607	607	607	607
PFTE390	343	363	403	443	484	627	627	627	627
PFTE393	349	370	411	452	493	648	648	648	648
PFTE396	357	378	420	462	504	669	669	669	669

- List prices are per square foot
- Minimum charge is 1 square foot
- Cut-to-size dimensions are listed Width x Height
- All custom sizes must use a cut-to-size SKU
- Max Prism = 48W x 96H*
- Max Alvic\Egger = 48W x 107H*
- Max Painted = 48H x 120H* (See SKUs)
- Max Cabinet Material = 48W x 96H*
- 1/4" finished laminate panels available in colors that include the Shaker door style
- 1/4" cabinet panels available in plywood and white melamine
- 1/4" material thickness ranges from 5.2mm to 8mm
- Full Sheets are edgebanded on all 4 edges
- **Requires an oversized pallet and will be charged accordingly*
- *Please note if you need panel unfinished.*

	Econ		Alvic, Egger			Painted			
Cut-to-size 3/4"	A	B	C	D	E	F	G	H	I
PANEL	38	41	44	47	50	180	180	180	180
PANELOS*	SKU for Painted panels 96" to 120" tall					240	240	240	240
3/4" Cab Material	Melamine or Plywood box material only								
PANELBX	50	53	53	53	53	53	53	53	53

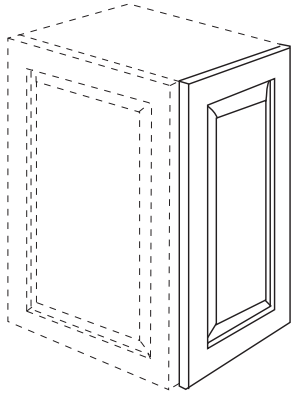
Cut-to-size 1/4"	Econ		Alvic, Egger			Painted			
Max 48 x 96	A	B	C	D	E	F	G	H	I
PANEL25	38	41	44	47	50	180	180	180	180
1/4" Cab Material	Melamine or Plywood box material only								
PANEL25BX	50	53	53	53	53	53	53	53	53

DOORS & DRAWER FRONTS - CUT-TO-SIZE

- Door sizes and configurations limited to standards (see Door Styles)
- Minimum charge is 1 square foot
- Doors are available with or without hinge boring
- Doors are available with or without hardware
- Drawer Fronts for Dovetail drawer boxes are not bored
- Drawer Fronts for Axial drawer boxes are bored - must specify location of drawer front on cabinet for correct boring
- Painted shaker doors over 49" high will have a center rail

Per Sq Ft	Econ		Alvic, Egger			Painted			
	A	B	C	D	E	F	G	H	I
Cut to Size Doors - Not Bored for Hinges - No Hardware Included									
DOORNB	38	41	44	47	50	220	280	220	280
Cut to Size Doors - Bored for Hinges - Includes Plugs & Bumpers									
DOORB0	65	68	74	80	86	240	310	240	310
Cut to Size Doors - Bored for Hinges - Includes Hinges, Plates, Covers, Screws & Bumpers									
DOORBH	75	78	84	90	96	260	335	260	335
Cut to Size Drawer Fronts - Not Bored - No Hardware Included									
DWRNB	50	53	59	65	71	220	280	220	280
Cut to Size Drawer Fronts - Bored for Axial Drawer Boxes - No Hardware Included									
DWRB0RE	75	78	84	90	96	245	305	245	305

- For all modified sizes, use the cut-to-size SKUS - see table on page A:4
- Overlay door is 1/8" less in depth than the cabinet end, and matches the cabinet door in height
- 1/16" of cabinet box will be exposed on all 4 edges of the overlay door due to the reveal



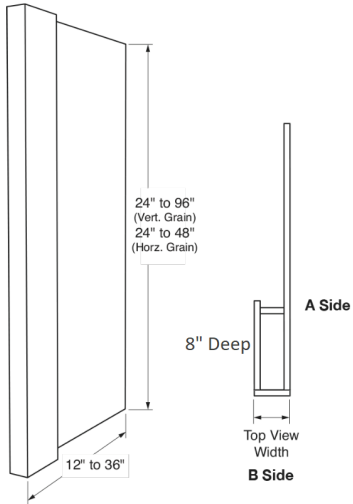
	Econ		Alvic, Egger			Painted			
	A	B	C	D	E	F	G	H	I
ODB (Base)	145	154	171	189	206	318	535	318	535
ODV (Vanity)	138	146	162	179	195	288	489	288	489
ODVF (Floating)	122	129	143	158	172	243	417	243	417
ODW12 (Wall)	72	76	84	93	101	129	238	129	238
ODW15 (Wall)	79	84	93	103	112	142	259	142	259
ODW18 (Wall)	87	92	102	113	123	156	281	156	281
ODW21 (Wall)	95	100	111	123	134	169	302	169	302
ODW24 (Wall)	102	108	120	132	145	183	323	183	323
ODW27 (Wall)	110	116	129	142	155	197	345	197	345
ODW30 (Wall)	117	124	138	152	166	210	366	210	366
ODW33 (Wall)	125	132	147	162	177	224	387	224	387
ODW36 (Wall)	133	141	156	172	188	237	409	237	409
ODW39 (Wall)	140	149	165	182	199	251	430	251	430
ODW42 (Wall)	148	157	174	192	210	264	466	264	466
ODW48 (Wall)	163	173	192	212	231	292	509	292	509
ODW54 (Wall)	178	189	210	232	253	319	551	319	551
ODW60 (Wall)	194	205	228	252	275	346	608	346	608
Tall - Uppers	A	B	C	D	E	F	G	H	I
ODT1224	100	106	117	129	141	172	306	172	306
ODT1524	107	114	126	139	152	196	344	196	344
ODT1824	115	122	135	149	163	220	382	220	382
ODT2124	123	130	144	159	174	245	420	245	420
ODT2424	130	138	153	169	184	269	459	269	459
ODT2724	138	146	162	179	195	293	497	293	497
ODT3024	145	154	171	189	206	317	535	317	535
ODT3324	153	162	180	199	217	342	573	342	573
ODT3624	161	170	189	209	228	366	612	366	612
ODT3924	168	178	198	218	239	391	650	391	650
ODT4224	176	186	207	228	249	415	743	415	743
Tall - Lower	A	B	C	D	E	F	G	H	I
ODT4924	195	207	230	253	277	476	838	476	838

VENEER (SKINS)

- Alvic Luxe & Zenit veneers are shipped in a roll
- Alvic Synchron veneers are shipped flat on a pallet
- Egger veneers are shipped flat on a pallet
- Painted veneers are shipped flat on a pallet
- *Requires an oversized pallet and will be charged accordingly

Full Sheet ONLY	Econ		Alvic, Egger			Painted			
	A	B	C	D	E	F	G	H	I
No Modifications									
PVLUXE	--	--	700	700	--	PSA-Backed Veneer 57" x 96"			
PVZENIT	--	--	600	600	600	PSA-Backed Veneer 57" x 96"			
PVSYNCH*	--	600	600	600	--	Phenolic-Backed Veneer 48" x 108"			
PVEGGER*	--	600	600	600	--	Phenolic-Backed Veneer 49" x 97"			
PV4897*	Phenolic-Backed Veneer 48-1/4" x 96-1/2"					900	900	900	900

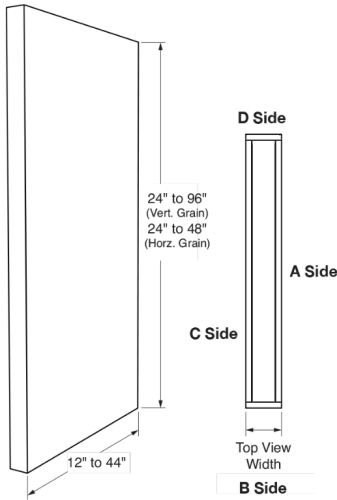
- Panels are made in 3 parts and machined for clips (*included*) for quick field assembly
- See table for colors
- All modifications require a specification drawing for quote, and may require extended lead time
- **Requires an oversize pallet and will be charged accordingly*



3-Part "J" Panel	Laminate - Prism, Alvic, Egger				Painted			
	B	C	D	E	F	G	H	I
PJBE3 (34-1/2"H)	576	628	679	731	918	918	918	918
PJVE3 (34-1/2"H)	538	585	632	680	819	819	819	819
PJVFE3 (23-5/8"H)	366	399	431	463	639	639	639	639
PJWE324	296	320	345	369	619	619	619	619
PJWE327	323	350	378	405	619	619	619	619
PJWE330	390	420	451	481	619	619	619	619
PJWE333	417	450	484	517	624	624	624	624
PJWE336	443	480	517	553	633	633	633	633
PJWE339	470	510	550	589	642	642	642	642
PJWE342	497	540	583	625	656	656	656	656
PJWE348	591	640	689	737	735	735	735	735
PJWE354	645	700	755	809	814	814	814	814
PJWE360	699	760	821	882	893	893	893	893
PJTE384	1350	1475	1601	1726	2190	2190	2190	2190
PJTE387	1389	1519	1649	1779	2359	2359	2359	2359
PJTE390	1429	1563	1698	1832	2430	2430	2430	2430
PJTE393	1468	1607	1747	1886	2501	2501	2501	2501
PJTE396*	1508	1652	1795	1939	2472	2472	2472	2472

AVAILABLE COLORS	
Luxe	All Colors
Zenit	All Colors
Synchron	Ice Cream 04
	Lakeland Oak
	Olmo 01
Egger	Add'l colors if available
Prism	Black
	Folkstone
	Mysterious
	White Velvet

- Panels are made in 3 parts and machined for clips (*included*) for quick field assembly
- See table for colors
- All modifications require a specification drawing for quote, and may require extended lead time
- **Requires an oversize pallet and will be charged accordingly*



Box Panel	Laminate - Prism, Alvic, Egger				Painted			
	B	C	D	E	F	G	H	I
4-Part								
PBBE3 (34.5"H)	451	451	485	518	540	540	540	540
PBVE3 (34.5"H)	451	451	485	518	540	540	540	540
PBVE3 (23.625"H)	307	307	330	353	506	506	506	506
PBWE324	227	227	242	257	409	409	409	409
PBWE327	245	245	262	279	409	409	409	409
PBWE330	303	303	322	341	409	409	409	409
PBWE333	322	322	342	363	412	412	412	412
PBWE336	340	340	362	385	416	416	416	416
PBWE339	358	358	382	407	421	421	421	421
PBWE342	376	376	403	429	429	429	429	429
PBWE348	453	453	483	513	483	483	483	483
PBWE354	490	490	523	557	536	536	536	536
PBWE360	526	526	563	601	590	590	590	590
PBTE384	1148	1148	1241	1333	1455	1455	1455	1455
PBTE387	1181	1181	1276	1372	1553	1553	1553	1553
PBTE390	1213	1213	1312	1411	1601	1601	1601	1601
PBTE393	1245	1245	1348	1450	1650	1650	1650	1650
PBTE396*	1278	1278	1383	1489	1625	1625	1625	1625

AVAILABLE COLORS

Luxe	All Colors
Zenit	All Colors
Synchron	Ice Cream 04
	Lakeland Oak
	Olmo 01
Egger	Add'l colors if available
Prism	Black
	Folkstone
	Mysterious
	White Velvet

- Installation not available
- Width of filler is 3" or 6" as indicated in code
- Filler is 3/4 finished on both faces and 2 long edges
- Wall Fillers are edgebanded on short edges to match cabinet bottom edges
- Order cut-to-size panel for custom size filler
- ***Oversize - additional shipping charges apply**



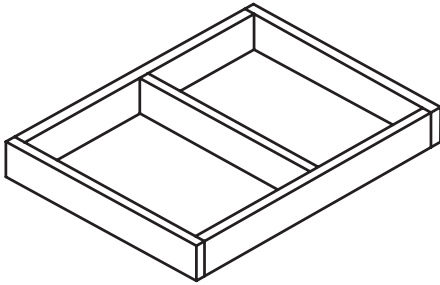
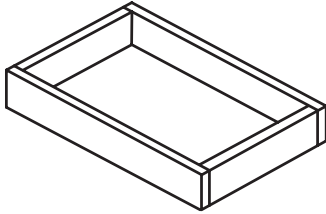
	Econ		Alvic, Egger			Painted			
3" Wide Filler	A	B	C	D	E	F	G	H	I
FB330	23	23	23	23	31	30	30	30	30
FV324 (23.625")	19	19	19	19	19	24	24	24	24
FV330	19	19	19	19	19	30	30	30	30
FW312	9	9	9	9	9	12	12	12	12
FW315	12	12	12	12	12	15	15	15	15
FW318	14	14	14	14	14	18	18	18	18
FW321	16	16	16	16	16	21	21	21	21
FW324	19	19	19	19	19	24	24	24	24
FW327	21	21	21	21	21	27	27	27	27
FW330	23	23	23	23	23	30	30	30	30
FW333	26	26	26	26	26	33	33	33	33
FW336	28	28	28	28	28	36	36	36	36
FW339	30	30	30	30	30	39	39	39	39
FW342	33	33	33	33	33	42	42	42	42
FW348	38	38	38	38	38	47	47	47	47
FW354	42	42	42	42	42	53	53	53	53
FW360	47	47	47	47	47	59	59	59	59
FT384	66	66	66	66	66	83	83	83	83
FT387	68	68	68	68	68	85	85	85	85
FT390	70	70	70	70	70	88	88	88	88
FT391 (91.5")	71	71	71	71	71	90	90	90	90
FT393	73	73	73	73	73	91	91	91	91
FT396*	75	75	75	75	75	94	94	94	94
6" Wide Filler	A	B	C	D	E	F	G	H	I
FB630	47	47	47	47	47	59	59	59	59
FV624	38	38	38	38	38	47	47	47	47
FV630	47	47	47	47	47	59	59	59	59
FW612	19	19	19	19	19	24	24	24	24
FW615	23	23	23	23	23	30	30	30	30
FW618	28	28	28	28	28	36	36	36	36
FW621	33	33	33	33	33	42	42	42	42
FW624	38	38	38	38	38	47	47	47	47
FW627	42	42	42	42	42	53	53	53	53
FW630	47	47	47	47	47	59	59	59	59
FW633	52	52	52	52	52	65	65	65	65
FW636	56	56	56	56	56	71	71	71	71
FW639	61	61	61	61	61	77	77	77	77
FW642	66	66	66	66	66	83	83	83	83
FW648	75	75	75	75	75	94	94	94	94
FW654	84	84	84	84	84	106	106	106	106
FW660	94	94	94	94	94	118	118	118	118
FT684	131	131	131	131	131	165	165	165	165
FT687	136	136	136	136	136	170	170	170	170
FT690	141	141	141	141	141	176	176	176	176
FT691 (91.5")	142	142	142	142	142	179	179	179	179

- Installation not available
- Overlays are 2.875" or 5.875" wide
- Filler is 3/4 finished on both faces and 2 long edges
- Order cut-to-size panel for custom-size overlay
- Painted: Slab Only, 3/4" thick
- ***Oversize - additional shipping charges apply**



	Econ		Alvic, Egger			Painted			
2.875" Wide	A	B	C	D	E	F	G	H	I
FOB330	23	23	23	31	31	29	29	29	29
FOV324 (23.675")	19	19	19	25	25	23	23	23	23
FOV330	23	23	23	31	31	29	29	29	29
FOW312	9	9	9	13	13	12	12	12	12
FOW315	12	12	12	16	16	15	15	15	15
FOW318	14	14	14	19	19	17	17	17	17
FOW321	16	16	16	22	22	20	20	20	20
FOW324	19	19	19	25	25	23	23	23	23
FOW327	21	21	21	28	28	26	26	26	26
FOW330	23	23	23	31	31	29	29	29	29
FOW333	26	26	26	34	34	31	31	31	31
FOW336	28	28	28	38	38	34	34	34	34
FOW339	30	30	30	41	41	37	37	37	37
FOW342	33	33	33	44	44	40	40	40	40
FOW348	38	38	38	50	50	45	45	45	45
FOW354	42	42	42	56	56	51	51	51	51
FOW360	47	47	47	63	63	57	57	57	57
FOT384	66	66	66	88	88	79	79	79	79
FOT387	68	68	68	91	91	82	82	82	82
FOT390	70	70	70	94	94	85	85	85	85
FOT391 (91.375")	71	71	71	95	95	86	86	86	86
FOT393	73	73	73	97	97	88	88	88	88
FOT396*	75	75	75	100	100	90	90	90	90
5.875" Wide	A	B	C	D	E	F	G	H	I
FOB630	47	47	47	63	63	58	58	58	58
FOV624 (23.675")	38	38	38	50	50	46	46	46	46
FOV630	47	47	47	63	63	58	58	58	58
FOW612	19	19	19	25	25	23	23	23	23
FOW615	23	23	23	31	31	29	29	29	29
FOW618	28	28	28	38	38	35	35	35	35
FOW621	33	33	33	44	44	41	41	41	41
FOW624	38	38	38	50	50	46	46	46	46
FOW627	42	42	42	56	56	52	52	52	52
FOW630	47	47	47	63	63	58	58	58	58
FOW633	52	52	52	69	69	64	64	64	64
FOW636	56	56	56	75	75	69	69	69	69
FOW639	61	61	61	81	81	75	75	75	75
FOW642	66	66	66	88	88	81	81	81	81
FOW648	75	75	75	100	100	92	92	92	92
FOW654	84	84	84	113	113	104	104	104	104
FOW660	94	94	94	125	125	115	115	115	115
FOT684	131	131	131	175	175	161	161	161	161
FOT687	136	136	136	181	181	167	167	167	167
FOT690	141	141	141	188	188	173	173	173	173
FOT691 (91.5")	142	142	142	190	190	175	175	175	175
FOT693	145	145	145	194	194	178	178	178	178

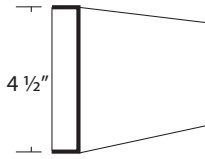
- Loose Toe Base frames are made from 3/4" plywood with glue and screw construction
- Center support added to frames that are 30" wide and wider.
- Frames will be modified to match custom-width cabinets.
- Frames may be customized - requires a drawing
- Frames are not finished
- Finished Toekick must be ordered separately



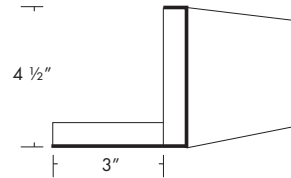
DESCRIPTION	SKU	LIST
24" Deep Cabinets - Base/Tall		
12W x 4.5H x 20.625D	LTB12	250
15W x 4.5H x 20.625D	LTB15	275
18W x 4.5H x 20.625D	LTB18	300
21W x 4.5H x 20.625D	LTB21	325
24W x 4.5H x 20.625D	LTB24	350
27W x 4.5H x 20.625D	LTB27	375
30W x 4.5H x 20.625D	LTB30	400
33W x 4.5H x 20.625D	LTB33	425
36W x 4.5H x 20.625D	LTB36	450
39W x 4.5H x 20.625D	LTB39	475
42W x 4.5H x 20.625D	LTB42	500
45W x 4.5H x 20.625D	LTB45	525
48W x 4.5H x 20.625D	LTB48	550

- All grain will run the length of the molding, regardless of the selected grain direction.
- Available in Alvic, Egger, & Prism finishes
- Nominal 3/4" thickness
- Long pieces are cut to 94" length to allow for shipping at standard freight rates.
- For custom size laminate moldings, use a cut-to-size panel SKUs - see ACCESSORIES section
- Lengths greater than 94" require an oversize pallet or oversize shipping and will be charged accordingly

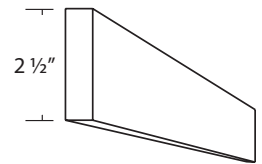
DESCRIPTION	SKU	A	B	C	D	E
4.5" H x 48" Toe Kick	MTK48	75	79	89	98	107
4.5" H x 94" Toe Kick	MTK94	147	156	174	191	209
4.5" H x 94" Subrail 3	MSUB94	478	492	520	547	575
2.5" H x 94" Light Valance	MLV94	82	87	97	107	116
4.5" H x 94" Valance	MVAL94	147	156	174	191	209



Toekick / Valance
Edgeband 2 Long Edges



Subrail
Edgeband 2 Long Edges



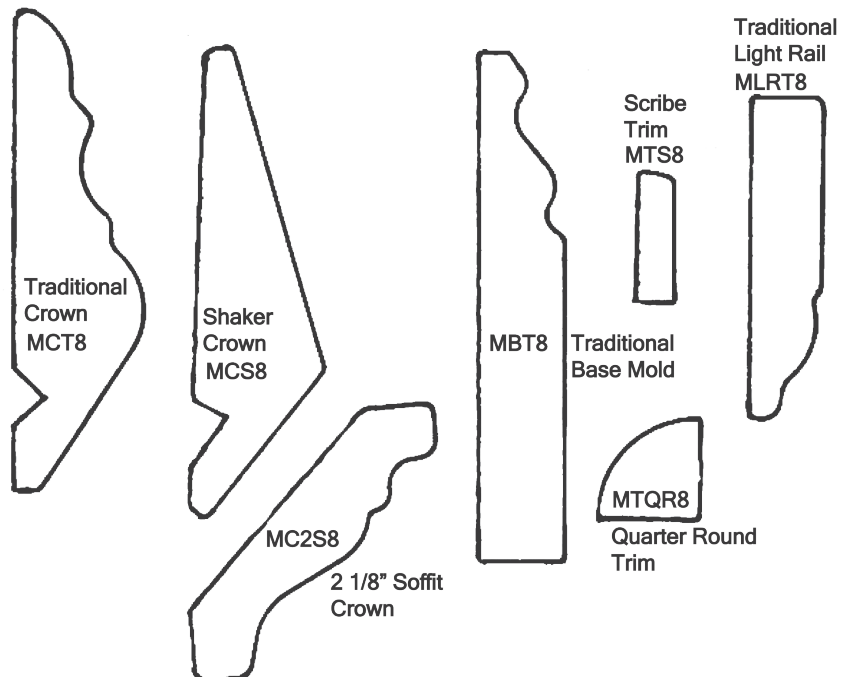
Light Valance
Edgeband 2 Long Edges

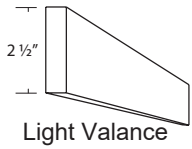
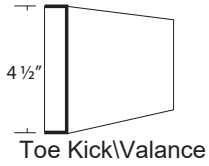
SPECIALTY MOLDINGS - LIMITED LAMINATE FINISHES

- Exact match not guaranteed - check samples before ordering (if available)

LIMITED COLOR AVAILABILITY	
Egger	Auburn Carini Walnut
	Carbon Frozen Wood
	Medium Grey Finline
	Dark Grey Finline
Prism	Black
	Folkstone Grey
	Mysterious
	White Velvet

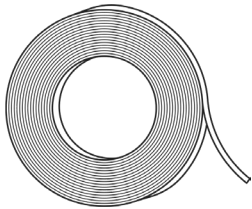
DESCRIPTION	SKU	LIST
Traditional Crown Molding - 3 5/8"	MCT8	282
Shaker Crown Molding - 3 1/2"	MCS8	240
Soffit Crown Molding - 2 1/8"	MC2S8	240
Traditional Light Rail Molding - 2 1/2"	MLRT8	240
Traditional Base Molding - 4"	MBT8	282
Scribe Trim Molding - 1"	MTS8	180
Quarter Round Trim Molding - 3/4"	MTQR8	180





DESCRIPTION	SKU	LIST
Toe Kick - Wood 4 1/2" H x 48" x 1/4" Toe Kick	MTK4814	382
Toe Kick - Wood 4 1/2" H x 96" x 1/4" Toe Kick	MTK9614	550
Toe Kick - Wood 4 1/2" H x 48" x 3/4" Toe Kick	MTK48	457
Toe Kick - Wood 4 1/2" H x 96" x 3/4" Toe Kick	MTK94	625
Light Valance - Wood 2.5" H x 94" 3/4" thick	MLV94	467
Valance - Wood 4.5" H x 94" 3/4" thick	MVAL94	625

EDGE BAND + TOUCH-UP KITS

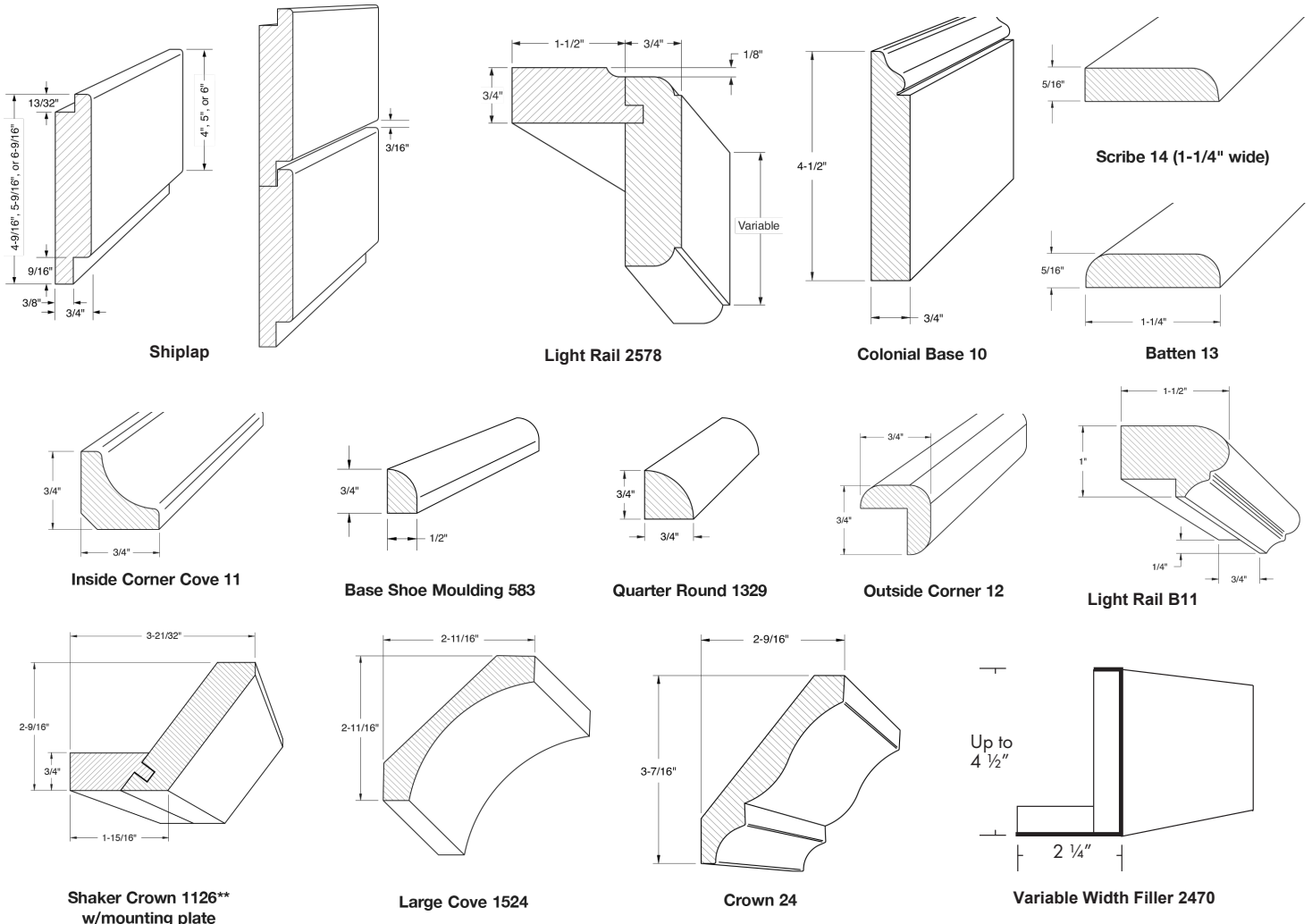


DESCRIPTION	SKU	LIST
PVC Edgebanding per foot	EBLFTPVC	5
Wood Edgebanding per foot	EBLFTWV	10
Use hot melt or solvent-based adhesives to apply edgebanding		
Touch-up Kit	TUK	70
Spray Can Paint	TUP	70

DESCRIPTION	FACE SIZE	MATERIAL	SKU	LIST
Batten 13	1.25"	Wood	MCBT13	176
Colonial Base 10 8ft	4.5"	Wood	MCCB10	282
Colonial Base 10 12ft*	4.5"	Wood	MCCB10-12	533
Cove 11	.75"	Wood	MCCV11	176
Cove Crown 1524 8ft	3.8125"	Wood	MCLCC1524	271
Cove Crown 1524 12ft*	3.8125"	Wood	MCLCC1524-12	497
Crown 24 8ft	4.3125"	Wood	MCCR24	282
Crown 24 12ft*	4.3125"	Wood	MCCR24-12	533
Inside Corner Cove 11	.75"	Wood	MCICC11	176
Light Rail B11 12ft*	1.5"	Wood	MCLRB11-12	216
Light Rail 2578 J2\C2 w\ Mount	Indicate H - Default 2.5"	Wood	MCLR2578	532
Outside Corner 12	.75"	Wood	MCOC12	176
Quarter Round 1329	.75"	Wood	MCQR1329	176
Scribe 14 8ft	1.25"	Wood	MCSC14	176
Scribe 14 12ft*	1.25"	Wood	MCSC14-12	315
Shaker Crown 1126 with Mount	3.625"	Wood	MCSC1126	460
Shiplap 2580 8ft	4.5625"	Wood	MCSLP4	271
Shiplap 2580 8ft	6.5625"	Wood	MCSLP6	318
Shoe Molding 583	.75"	Wood	MCSH583	176
Variable Width Filler 2470	Indicate H - Default 4.5"	Wood	MCVWF2470	587

-Indicate Height dimension. Default = 4.5"H (min 1.5", max 4.5")

*12 foot mouldings will incur extra shipping charges

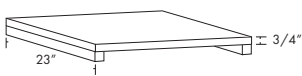


- Shelves priced individually
- Pins included
- Front edge is edgebanded
- Finished shelves match selected finish color
- Unfinished shelves match cabinet box material

Finished Shelves	Econ		Alvic, Egger			Painted			
Base	A	B	C	D	E	F	G	H	I
SHMB9	51	61	68	75	82	79	83	86	90
SHMB12	76	86	95	105	114	110	116	120	125
SHMB15	98	108	120	132	144	139	145	151	158
SHMB18	122	132	147	162	176	170	178	185	194
SHMB21	147	157	174	191	209	201	210	219	230
SHMB24	171	181	201	221	241	232	243	253	265
SHMB27	195	205	228	251	274	264	276	288	301
SHMB30	218	228	254	279	304	293	307	319	334
SHMB33	242	252	281	309	337	324	340	354	371
SHMB36	267	277	308	338	369	355	372	387	406
SHMB42	291	301	335	368	401	386	405	421	441
Vanity	A	B	C	D	E	F	G	H	I
SHMV9	43	61	68	75	82	79	83	86	90
SHMV12	65	75	83	91	100	96	100	105	110
SHMV15	85	95	105	116	126	122	128	132	139
SHMV18	105	115	127.5	140	153	147	154	161	168
SHMV21	126	136	151.5	167	182	175	184	191	200
SHMV24	147	157	174	191	209	201	210	219	230
SHMV27	168	178	198	218	238	229	240	250	262
SHMV30	190	200	222	244	266	256	268	279	293
SHMV33	210	220	244.5	269	293	282	296	308	322
SHMV36	232	242	268.5	295	322	310	325	338	354
Wall	A	B	C	D	E	F	G	H	I
SHMW9	32	32	36	40	43	42	44	45	47
SHMW12	45	45	50	55	60	58	61	63	66
SHMW15	57	57	63	69	76	72	76	80	84
SHMW18	69	69	77	85	92	89	94	97	101
SHMW21	83	83	92	101	110	106	111	116	121
SHMW24	95	95	105	116	126	122	128	132	139
SHMW27	107	107	118.5	130	142	137	143	149	156
SHMW30	119	119	132	145	158	152	160	166	174
SHMW33	132	132	147	162	176	170	178	185	194
SHMW36	146	146	162	178	194	187	196	204	213
SHMW39	158	158	175.5	193	211	203	212	222	232
SHMW42	171	171	190.5	210	229	221	231	240	252
SHMW45	184	184	204	224	245	235	246	257	270
SHMW48	197	197	219	241	263	253	265	276	289

UNFINISHED	SKU	LIST
9" Base Shelf	SHB9	45
12" Base Shelf	SHB12	63
15" Base Shelf	SHB15	80
18" Base Shelf	SHB18	98
21" Base Shelf	SHB21	116
24" Base Shelf	SHB24	134
27" Base Shelf	SHB27	152
30" Base Shelf	SHB30	169
33" Base Shelf	SHB33	187
36" Base Shelf	SHB36	205
42" Base Shelf	SHB42	223
9" Vanity Shelf	SHV9	39
12" Vanity Shelf	SHV12	55
15" Vanity Shelf	SHV15	70
18" Vanity Shelf	SHV18	85
21" Vanity Shelf	SHV21	101
24" Vanity Shelf	SHV24	116
27" Vanity Shelf	SHV27	132
30" Vanity Shelf	SHV30	148
33" Vanity Shelf	SHV33	163
36" Vanity Shelf	SHV36	179
9" Wall Shelf	SHW9	24
12" Wall Shelf	SHW12	33
15" Wall Shelf	SHW15	42
18" Wall Shelf	SHW18	51
21" Wall Shelf	SHW21	61
24" Wall Shelf	SHW24	70
27" Wall Shelf	SHW27	79
30" Wall Shelf	SHW30	88
33" Wall Shelf	SHW33	98
36" Wall Shelf	SHW36	108
39" Wall Shelf	SHW39	117
42" Wall Shelf	SHW42	127
45" Wall Shelf	SHW45	136
48" Wall Shelf	SHW48	146

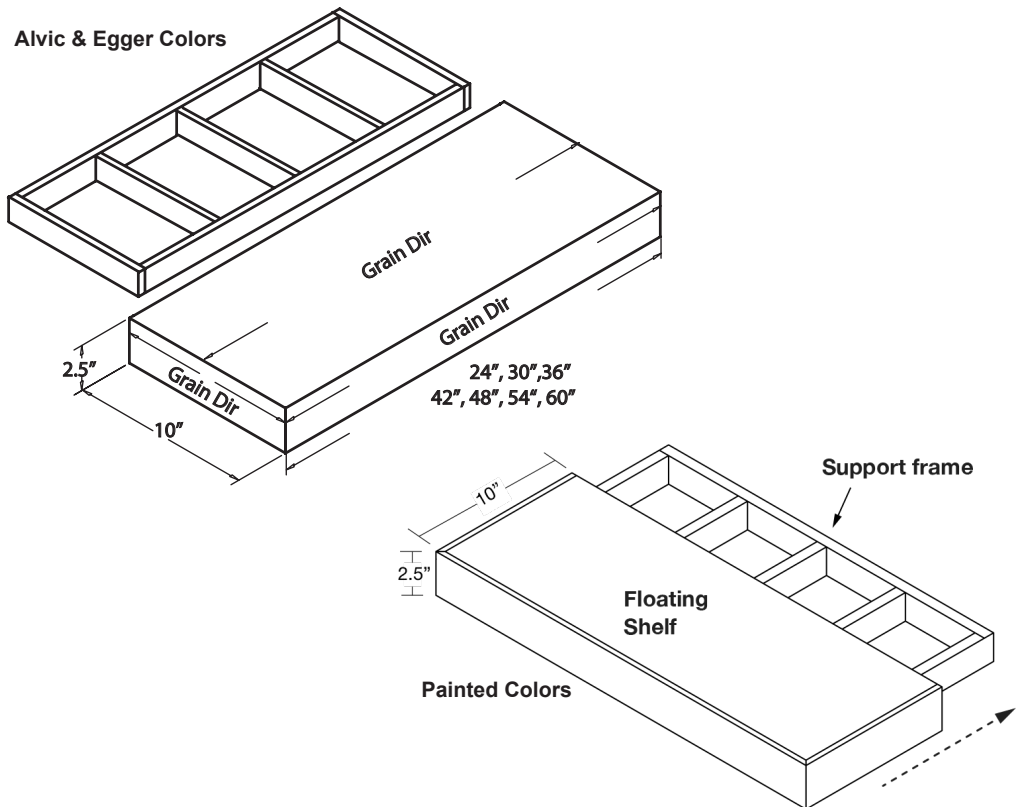
Loose Oven Support Shelf



Oven Support	Econ		Alvic, Egger			Painted			
Loose Shelf	A	B	C	D	E	F	G	H	I
SHO30	300	300	300	300	300	300	300	300	300
SHO33	350	350	350	350	350	350	350	350	350

LIMITED COLOR AVAILABILITY	
Paint	Prodigy Arctic White
	Prodigy Cadet Grey
	Prodigy Ebony
	Prodigy Fern Green
	Prodigy Frosty White
	Prodigy Gunsmoke
	Prodigy Hearthstone Grey
	Prodigy Marina
	Prodigy Metropolitan Grey
	Prodigy Regent Blue

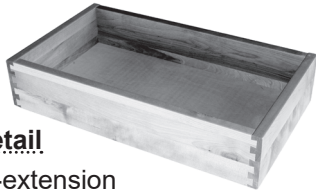
	Econ	Alvic, Egger	Painted			
Paint	N/A		F	G	H	I
SHFW24	N/A		569	569	569	569
SHFW30	N/A		585	585	585	585
SHFW36	N/A		637	637	637	637
SHFW42	N/A		690	690	690	690
SHFW48	N/A		742	742	742	742
SHFW60	N/A		828	828	828	828



- Painted shelves are available in Colourtone finishes only, no custom colors or painting to match
- Finished on all sides except back edges. See image for grain direction standards
- Square edge only
- Custom widths between 24" and 60" are available at an upcharge
- **No other modifications are available:** height, depth, or widths outside 24" to 60"
- Proper installation is required for warranty

- Specify cabinet box for installation, or depth of cabinet box if loose
- Roll Out Trays are nominal 4" high
- Single roll out trays will be mounted at the bottom of the cabinet unless otherwise indicated
- Prices are per roll out or drawer including slides

DESCRIPTION	DOVETAIL	AXIAL (A/W)	LINEABOX (G/W)
12W Roll Out	ROT12 216	A_ROT12 216	L_ROT12 332
15W Roll Out	ROT15 234	A_ROT15 234	L_ROT15 351
18W Roll Out	ROT18 252	A_ROT18 252	L_ROT18 370
21W Roll Out	ROT21 270	A_ROT21 270	L_ROT21 389
24W Roll Out	ROT24 288	A_ROT24 288	L_ROT24 407
27W Roll Out	ROT27 306	A_ROT27 306	L_ROT27 426
30W Roll Out	ROT30 324	A_ROT30 324	L_ROT30 445
33W Roll Out	ROT33 342	A_ROT33 342	L_ROT33 464
36W Roll Out	ROT36 360	A_ROT36 360	L_ROT36 483
39W Roll Out	ROT39 378	A_ROT39 378	L_ROT39 502
42W Roll Out	ROT42 396	A_ROT42 396	L_ROT42 521
45W Roll Out	ROT45 414	A_ROT45 414	L_ROT45 540
48W Roll Out	ROT48 432	A_ROT48 432	L_ROT48 559



Dovetail

- Full-extension
- Soft-close Undermount

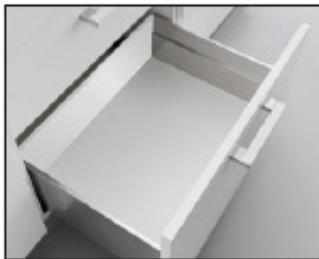


Axial

- Double-walled Metal
- Soft-close Undermount
- Specify White (AW) or Anthracite (AA)
- Touchlatch not available

12W Loose Drawer	DBX12 216	A_DBX12 216	L_DBX12 332
15W Loose Drawer	DBX15 234	A_DBX15 234	L_DBX15 351
18W Loose Drawer	DBX18 252	A_DBX18 252	L_DBX18 370
21W Loose Drawer	DBX21 270	A_DBX21 270	L_DBX21 389
24W Loose Drawer	DBX24 288	A_DBX24 288	L_DBX24 407
27W Loose Drawer	DBX27 306	A_DBX27 306	L_DBX27 426
30W Loose Drawer	DBX30 324	A_DBX30 324	L_DBX30 445
33W Loose Drawer	DBX33 342	A_DBX33 342	L_DBX33 464
36W Loose Drawer	DBX36 360	A_DBX36 360	L_DBX36 483
39W Loose Drawer	DBX39 378	A_DBX39 378	L_DBX39 502
42W Loose Drawer	DBX42 396	A_DBX42 396	L_DBX42 521
45W Loose Drawer	DBX45 414	A_DBX45 414	L_DBX45 540
48W Loose Drawer	DBX48 432	A_DBX48 432	L_DBX48 559

STD HEIGHTS	DOVETAIL	AXIAL	LINEABOX
Top Drawer (under 8") [4]	4"	84mm	3"
Deep Drawer (up to 12") [6]	6"	167mm	4"
Pan Drawer (up to 15") [8]	8"	199mm	7"
File Drawer [10]	10.25"	with Rail	9"



NEW

LineaBox

- Double-walled Metal
- Soft-close Undermount
- Full Extension
- Specify White (LW) or Gray (LG)
- Touchlatch Available

•Available in Antracite finish ONLY



Organiz-R Kit for Cutlery - 550mm



Organiz-R Kit for Cutlery - 500mm



Organiz-R Kit for Cutlery - 450mm



Organiz-R Kit Tray

DESCRIPTION	SKU	SIZE (MM)	LIST
Kit for Cutlery - 450	808CKIT450170	276x58x450	400
Kit for Cutlery - 500	808CKIT500100	276x58x500	399
Kit for Cutlery - 550	808CKIT550100	276x58x550	404
Tray	808TR88100	88x58x88	33
Tray	808TR176100	88x58x176	45
Tray	808TR264100	88x58x264	56
Fixing Brackets	808BR2G		8
Side Panel	808SP450100	58x450	28
Side Panel	808SP500100	58x500	25
Side Panel	808SP550100	58x550	27
Cross Divider	808CD88100	58x100	18
Cross Divider	808CD176100	58x188	21
Cross Divider	808CD264100	58x276	24
End Connector	808EC88100	58x100	13
End Connector	808EC176100	58x188	16
End Connector	808EC264100	58x276	20
Utensil & Spice Kit - Wide	808WKIT450100	276x58x450	141
Utensil & Spice Kit - Wide	808WKIT500100	276x58x500	117
Utensil & Spice Kit - Wide	808WKIT550100	276x58x550	122
Utensil & Spice Kit - Medium	808MKIT450100	188x58x450	114
Utensil & Spice Kit - Medium	808MKIT500100	188x58x500	107
Utensil & Spice Kit - Medium	808MKIT550100	188x58x550	111
Utensil & Spice Kit - Narrow	808NKIT450100	58x58x450	106
Utensil & Spice Kit - Narrow	808NKIT500100	58x58x500	98
Utensil & Spice Kit - Narrow	808NKIT550100	58x58x550	100



Organiz-R Kit Fixing Brackets



Organiz-R Kit Cross Divider



Organiz-R Utensil & SpiceKit - Wide



Organiz-R Utensil & Spice Kit - Narrow



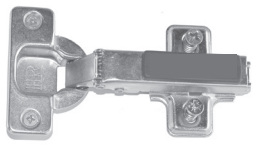
Organiz-R Kit Side Panel



Organiz-R Kit End Connector



Organiz-R Utensil & Spice Kit - Medium



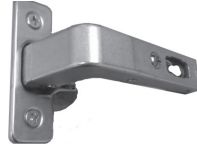
HH110



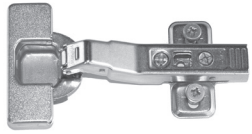
HHLSDC



HHLSDDD



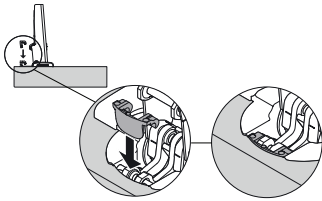
HHBL



HHWDC



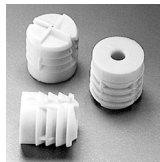
HHPL



HHRC



HHRC Installation



HDDWL



HHCov



HDWRGL / HPUSHDWR



HDWRCLIP



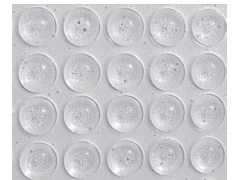
HPUSHDR



HSHCLIP



HSHPIN



HDRBMP



HAXILO



HAXILOCORN



HAXILOTOOL



HAXILOECON

DESCRIPTION	SKU	LIST
Hinge - Standard Softclose - 110°Soft-close (<i>per hinge</i>)	HH110	25
Hinge - Standard Set - includes Plate (<i>set</i>)	HH110SET	35
Hinge - Lazy Susan - Door-to-Cabinet 170° (<i>each</i>)	HHLSDC	30
Hinge - Lazy Susan 170° - includes Plate (<i>set</i>)	HHLSDCSET	40
Hinge - Lazy Susan Door-to-Door 3-way (<i>each</i>)	HHLSDDD	30
Hinge - Lazy Susan 3-way includes Plate (<i>set</i>)	HHLSDDDSET	42
Hinge - Lazy Susan Set - 170° & 3-way + Plate (<i>set</i>)	HHLFULLSET	82
Blind Corner Hinge (<i>each</i>)	HHBL	25
Hinge - Blind Corner Set incl. Plate (<i>set</i>)	HHBLSET	40
Positive 45° Hinge (<i>each</i>)	HHWDC	30
Hinge - Positive 45° Set incl. Plate (<i>set</i>)	HHWDCSET	40
Hinge - Standard Plate (<i>each</i>)	HHPL	10
Hinge - Lazy Susan Plate - Door-to-door (<i>each</i>)	HHPLLS	12
Hinge Restrictor Clip (<i>pair</i>)	HHRC	7
Hinge Dowels (<i>Grommets or Plugs</i>) - set of 12	HDDWL	7
Hinge Covers - Prodigy Logo (<i>each</i>)	HHCov	N/C
Glides - Full-Ext Soft-close (<i>Pair</i>)	HDWRGL	80
Glides - Full-Ext Soft-close + Lock Clips (<i>full set</i>)	HDWRGLSET	100
Glides - Full-Ext Push (<i>Pair</i>)	HPUSHDWR	140
Glides - Full-Ext Push + Lock Clips (<i>Pair</i>)	HPUSHDWRSET	160
Glides - Lock Clips (<i>Pair</i>)	HDWRCLIP	30
Touchlatch for Door - Set incl. Piston + Holder (<i>Loose</i>)	HTOUCHSET	30
Touchlatch for Door - Piston only (<i>Loose</i>)	HTOUCHDR	20
Touchlatch for Door - Holder only (<i>Loose</i>)	HTOUCHHLD	10
Shelf Clips - Old Style (<i>set of 4</i>)	HSHCLIP	7
Shelf Pins - Metal/Plastic (<i>Set of 4</i>)	HSHPIN	7
Bumpers - Door/Drawer (225 per sheet)	HDRBMP	20
Axilo Leg Assembly (<i>Set of 4</i>)	HAXILO	50
Axilo Corner Assembly (<i>Set of 4</i>)	HAXILOCORN	50
Axilo Tool (<i>Tool and extension</i>)	HAXILOTOOL	250
Axilo Tool (<i>Economy</i>)	HAXILOECON	90

• Organizers and Dividers are shipped loose unless otherwise specified



APEGB



APEGL



ACUT



AKNBL



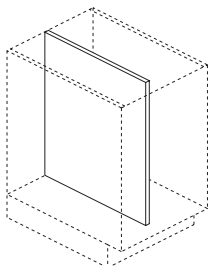
ASPICE



ASPWD

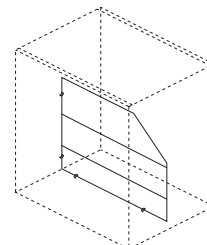


ASPWR

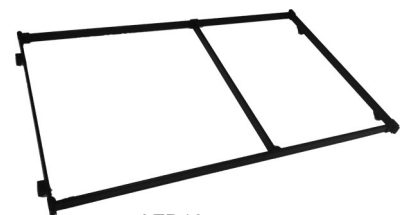


APTD

- Price includes installation
- Installation position = Evenly Distributed
- Divider is set back 1" from the front
- Divider is integrated into the cabinet
- Divider is not removable



AWTD



AFD10

DESCRIPTION	SKU	LIST
Drawer Pegboard with 16 Pegs	APEGB	292
Lid Organizer for Pegboard	APEGL	53
Pot Organizer for Pegboard	APEGP	64
Cutlery Divider 15" drawer	ACUT15	91
Cutlery Divider 21" Drawer	ACUT21	117
Knife Drawer Insert 21" max	AKNBL	186
Spice Drawer Insert 24" max	ASPICE	117
Wood Spice Rack for 15" cabinet	ASPWD15	238
Wood Spice Rack for 18" cabinet	ASPWD18	284
Wood Spice Rack for 21" cabinet	ASPWD21	322
Wire Spice Rack 3 1/8" deep	ASPWR3	77
Wire Spice Rack 5 15/16" deep	ASPWR6	113
Plywood Tray Divider - Base	APTD	250
Wire Tray Divider 12x20 - Base (shipped loose)	AWTD12	86
Wire Tray Divider 18x20 - Base (shipped loose)	AWTD18	106
File Drawer Modification	AFD10	300

*Includes increasing drawer height (dovetail only)

For Waste Basket Cabinets and Base Pullouts see the Base Cabinet section

**Axilo Plinth System
Installation Video**



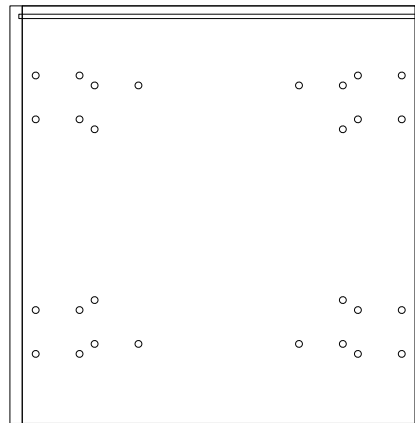
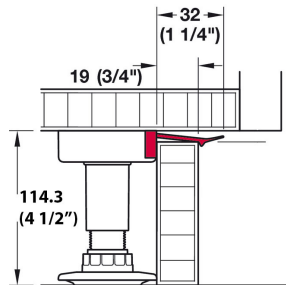
AXILO PLINTH SYSTEM

Hafele's AXILO plinth system allows easy one-handed adjustment of front and back plinth height. Snap the tool around the foot of the sturdy leg and you can keep an eye on the level as you adjust the height. When you are level, your toe board snaps into the integrated clip, and your work is done.

Prodigy is proud to feature the AXILO system as our Classic cabinet leg. Our implementation of the system provides the flexibility needed to level and finish in your cabinetry in a smart and simple manner.

4 standard Axilo legs with clips will be included with every Base, Vanity and Tall cabinet 12" wide and over. The bottom of each cabinet is pre-drilled to allow the press-in mounting plates to be inserted easily on site. If you have selected an integrated finished end, corner mounting plates will be substituted on that end, allowing you to turn your toe kick at the same recess as the front using the provided holes.

Cabinets under 12" wide will only use 2 legs, and will need to be attached to another cabinet for stability.

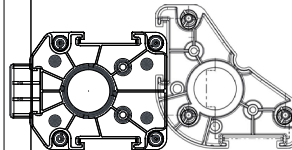


Bore pattern on cabinet bottom allows toe kick recess on all 4 sides.

Recess front and back standard (4-hole pattern); side recess utilizes Corner Mounting Plates (3-hole pattern).

Cabinet End

Standard AXILO Mounting Plate position: Tab supports cabinet end, 3" deep recess to the Toe Kick board from the front



Corner AXILO Mounting Plate position: 3" deep recess to the Toe Kick board from the front and side

Prices in the current specification guide, accessible electronically from the authorized factory link, take precedence over previous price lists and may change without notice.

All prices are F.O.B. from Greenville, South Carolina.

Styles, finishes, hardware, and specifications are subject to change without prior notice.

Prices are exclusive of taxes and are listed in U.S. dollars.

Late payments will incur a monthly interest charge of 1.5% or the maximum allowable by law, whichever is lower.

Prodigy Cabinetry products are exclusively available to authorized accounts; possessing a price list does not grant purchase rights.

Inactive accounts with no purchases for six months will require a new application for reactivation.

Dealers without a tax exemption certificate will retroactively incur South Carolina state tax charges; Prodigy Cabinetry is not responsible for collecting or paying any dealer taxes.

Credit card payments are accepted with the following conditions:

- Orders paid by credit card cannot be disputed.
- Credit card payments are processed through a Merchant site and are subject to its terms.
- A transaction fee will be charged for each credit card payment based on Merchant fees.

Order Acknowledgement Verification Process

1. You can place orders in one of three ways:
 - Use the approved online program, **Order Express** (provided by eVision Services).
 - Fill out the official Prodigy Order Form (found in the Forms section or downloadable from Dropbox).
 - Create a quote list from Prodigy's **2020 Design** or **ProKitchen** catalog by contacting Customer Service.
2. Each Line\Finish\Door Style combination requires a separate order.
3. Special requests can be emailed to: **orders@prodigycabinetry.com**
4. Orders placed will receive a factory order number.
5. Prodigy Cabinetry allows changes, additions, deletions, and cancellations until the order is approved by the dealer. Changes after approval will result in change fees.
6. Notify Customer Service of omissions or errors in writing only through acknowledgment process documents or email.
7. An order becomes a binding agreement when placed according to dealer terms and acknowledged with a factory order number and expected ship date from Prodigy Cabinetry.
8. Approving an order means agreeing to pay the full net amount on the emailed acknowledgment and accepting the shipped product.
9. Cancellations or changes after final approval are subject to the following change fees:
 - 25% within the first 24 hours after confirmation
 - 50% within five days
 - 100% after five days
- 10. Shipping lead times start after the order deposit is made or the acknowledgment is approved via signature or email reply, depending on dealer terms.**
11. Orders not shipping to an approved warehouse may incur additional charges.
12. Special circumstances should be noted at the time of order.
13. Expedited orders and orders with special order products (attachments, hardware, non-stock colors, etc.) may not be modified or canceled.
14. Lead times may be extended for all custom and buy-out products; refer to the confirmation for lead time details.
15. Refer to the Shipping Policy for fee information.
16. Orders submitted without a cabinet list will incur a \$100 fee per hour needed to read layouts and elevations.

Expedited Orders

1. Custom and buy-out products will have extended lead times - refer to your confirmation for details.
2. Expedited orders require Prodigy Cabinetry's approval and will incur additional charges as needed.
3. A typical rush upcharge is 25%, and expedited orders typically have half the standard lead time, depending on available capacity.
4. Expedited orders and those with special-order products (attachments, hardware, non-stock colors, etc.) cannot be modified or canceled.
5. Expedited orders are limited to 5 cabinets, two order maximum.
6. Expedited order lead times are based on factory capacity and is subject to change.

Warranty Orders

1. Warranty Orders must be requested **in writing** and must include photos showing the issue.
2. Warranty Orders are exclusively for products previously manufactured by Prodigy Cabinetry.
3. Changes or substitutions from the original order are only allowed with mutual agreement.
4. Warranty Orders are automatically expedited.
5. Prodigy Cabinetry may request inspection by the Manufacturer's Representative and may require the return of the item(s) for quality assurance.
6. Refer to the Warranty for coverage details and limitations.

Custom Cabinetry & Buy-out Products

1. Custom cabinets require prior approval from Prodigy Cabinetry and come with an upcharge over list prices.
2. To request custom cabinetry pricing, submit a Custom Cabinet Request Form (found in the FORMS section).
3. If a rush or warranty order contains buyout items, lead times start once we receive product from the vendor.
4. Custom cabinetry requests may require additional processing time for AutoCAD, engineering and manufacturing.
5. Orders requiring CAD drawings are subject to a \$50 per hour charge.

Orders will be scheduled for delivery once remaining balance has been paid or finalized based on established plan.

Orders ready for pick up will only be held in the factory for 2 business days. Any cabinets held more than two days after dealer has received notification for pick up will result in storage fees of \$10/per cabinet per day.

Any physical assistance needed from our warehouse team will incur a fee of \$100 per hour per person with a minimum charge of \$100.

Delivery on LeHo Logistics Trucks

For deliveries on our trucks, we will deliver based on the most economic route. We will contact the customer approximately three days prior to the delivery date. Drivers will call one hour ahead of arrival. **Company drivers only deliver to the liftgate. We require someone at the facility to unload from the end of the truck to the customer's storage area. If help is needed by our driver there will be an additional charge of \$25 per cabinet box the driver handles.**

LTL and Ground Delivery via Carriers

Tracking information will be provided via email the following business day. It will be your responsibility to coordinate delivery with the carrier.

Dealer Arranges Own Freight

If the dealer arranges their own freight, the responsibility of Prodigy Cabinetry ceases once the product is loaded onto the truck.

Additional Shipping Costs

Landed multipliers are based on a 10-cabinet minimum per shipment and will be subject to a \$200 additional shipping charge if the cabinet quantity for the combined shipment is fewer than 10 cabinets. You must contact our customer service to have any additional charges removed from combining orders to ship together.

Landed multipliers are calculated for delivery to a business address that has a commercial loading dock and/or a fork lift. Delivery to a residential address or any location that does not have a loading dock and/or a fork lift will result in extra charges such as lift gate or residential fees.

Extra Fees

- Delivery Appointment, **\$50 Net**
- Lift Gate Requirement, **\$150 Net**
- Residential/Storage Unit/Job Site Delivery, **\$150 Net**
- Extended Pallets
 - » 96" to 100" - **\$300 Net/pallet**

Cabinet & Panel Shipping Pallet Upcharge - Any panels or cabinets over 94" in length will require an oversized pallet which will result in an upcharge.

Re-consignment/Changing the delivery address after final invoice is sent.

Determined per incident according to details - \$150 minimum charge.

Important Note: When scheduling a delivery via LeHo please ensure the destination can accommodate a 26' box truck. There must be room for the truck to unload and turn around.

Shipping Method

- If an order is shipping via ground at Prodigy discretion, Prodigy will pay for standard ground freight only.
- If an order is shipping via LTL at Prodigy discretion, Prodigy will pay for standard LTL freight only.
- If an order that is scheduled to ship via Leho Logistics is requested to ship via LTL, the dealer will be charged for LTL shipping fees.

Mandatory Receiving Requirements for Freight Deliveries

Step 1: Check skid count (Number of pallets) and loose piece count (Number of loose pieces) that is listed on the Bill of Lading (BOL)/Delivery Receipt(DR), and match it to the actual amount of pallets and loose pieces that you received.

Step 2: Visually check boxes for damage. IMPORTANT: If the box(s) appear to be damaged, take close-up and wide-angle photographs of the damage.

Step 3: YOU MUST note any damage or missing items on the carriers BOL/DR at the time of delivery. Any deliveries accepted and signed by customer without such notes will be considered complete and no claim can be made.

Step 4: Check packing slip (located on shrink wrap on outside of pallet) against the actual items on the pallet. Item numbers are located on the outside of each box.

Step 5: Sign the Bill of Lading (BOL)/Delivery Receipt (DR). Keep one copy and save it for future reference, if needed. When you sign, you are accepting that delivery is complete and has no damage unless noted on BOL/DR at the time of delivery.

If there is any box damage seen on the pallet take pictures of the damaged pallet and boxes and make the following note on all copies of the Bill of Lading (BOL)/Delivery Receipt (DR) that says the following: **“Box damage/Product Damage”**

Pictures of the damaged pallet/boxes must be sent within 2 business days of the delivery. Make sure to include photos of manufacturer sticker. Please submit the pictures along with a Freight Damage Claim form (See links to forms below) to warranty@prodigycabinety.com within 2 business days of delivery.

If any item(s) appear to be missing, list the items that are missing on all copies of the Bill of Lading (BOL)/Delivery Receipt (DR).

All orders are custom built therefore returns are not allowed.

In case of missing or damaged parts, please see Concealed Damage policy below.

***IF THE PICK UP LIST OR BILL OF LANDING IS SIGNED WITH NO NOTES REGARDING DAMAGE OR MISSING ITEMS, NO CLAIM CAN BE MADE FOR ANY DAMAGE OR MISSING ITEMS.**

Mandatory Receiving Requirements for Freight Deliveries via LEHO Logistics

In addition to steps outlined above, there are additional required items:

- Dealers must arrange for a Point of Contact (POC) to meet the truck.
- A valid phone number must be provided.
- Arrangements must be made in advance for entry into gated communities, restricted commercial areas, etc.

How to make a claim for Concealed Damage (Non-obvious damage due to the fact that there is no box damage), Freight Damage or missing items.

1. Proper form must be filled out (*See FORMS Section*)
2. Customer has **25 days** from of receipt of order to report any concealed damage (Non-obvious damage due to the fact that there is no box damage).
3. Check to make sure all parts are present and free of damage as it is taken out of the carton.
- 4. Any damaged products must be photographed PRIOR TO INSTALLATION.**
5. Requests should include a list of the missing items and/or a detailed description of the damages item(s), sales order number, and photo(s) of the damage(s) to **warranty@prodigycabinetry.com**.
6. Items will be not be replaced at no charge without a sales order number and a photograph.
7. Prodigy has 72 hours to review the request. Prodigy will then notify the dealer of the outcome of the review. If the item(s) are to be replaced at Prodigy's expense, they will be shipped within 7 to 10 business days after the review has been completed.
8. Prodigy will ship all replacement/missing items via standard ground shipment or LTL at Prodigy's discretion.
9. Prodigy **will not** be held responsible for any cost including labor accrued during the installation of any of its products sold via any channels of distribution. This includes, but is not limited to, items that may be flawed or have been damaged in transit.

DISCLAIMERS:

Defects do not include items beyond reasonable control, including but not limited to, the following:

- Wood and Color Variations** - Natural variations in the color, textures and grain of the wood used to manufacture cabinets or changes in the color of the wood caused by the natural aging process of the wood material is not considered defective.
- Wood Doors** - Changes to wooden doors caused by changes in humidity, temperature and other local atmospheric conditions are not considered defects. Door warpage of up to 1/4" shall not be considered a defect. Note also that doors that appear warped may often be the result of improper installation or lack of proper hinge adjustment.
- Painted Finishes** - Changes (such as finish stress lines) caused using non-porous woods (such as birch) or by changes in humidity, temperature and other local atmospheric conditions are not considered defects.

Prodigy Cabinetry (“We” or “Us”) extends the following limited warranty (“Limited Warranty”) to the first purchaser (“Original Purchaser” or “You”) of a cabinet manufactured by Us (each, a “Product”). This Limited Warranty is only applicable to Products sold and used in the applications described below within the United States and Canada. Except as allowed below, You may not assign or transfer this Limited Warranty.

WHAT DOES THIS LIMITED WARRANTY COVER?

Subject to the exclusions and limitations set forth in this Limited Warranty, We warrant to You that each Product will be free from defects in material and workmanship, under normal use and maintenance, for the applicable warranty period stated below. This warranty gives You specific legal rights, and You may have other rights which vary from State to State.

WHAT IS THE WARRANTY PERIOD APPLICABLE TO RESIDENTIAL PURCHASERS?

If You are a Residential Purchaser, then the warranty period for Your Product (excluding certain components discussed in the following paragraph) is for as long as You own the dwelling in which Your Product was originally installed and used as a primary or secondary home. Under this Limited Warranty, a “Residential Purchaser” means a person who purchases and installs the Product in a dwelling that is owned and used by that person as a primary or secondary home. A Residential Purchaser also includes any person such as a builder, contractor or developer that purchases and installs the Product in a newly constructed dwelling that will be used as a primary or secondary home. This Limited Warranty may be assigned by a builder, contractor or developer to the first owner of a newly constructed dwelling in which the Product was originally installed, provided that dwelling is used by the first owner as a primary or secondary home. Remodelers, landlords, and leasing companies will be considered a Commercial Purchasers (as defined below).

Notwithstanding the preceding paragraph, the warranty periods applicable to the following Product components that were not originally manufactured by Us are as follows:

- Lighting, Electronic, and Powered components: 2 years from the date of original purchase.
- Decorative Hardware: 5 years from the date of original purchase.
- Cabinet Organizers: 5 years from the date of original purchase.

WHAT IS THE WARRANTY PERIOD APPLICABLE TO COMMERCIAL PURCHASERS?

If You are a Commercial Purchaser, then the warranty period for Your Product or any components of Your Product is twelve (12) months from the date of purchase. A “Commercial Purchaser” is any Original Purchaser of a Product that is not a Residential Purchaser. Commercial Purchasers include remodelers, landlords, leasing companies, and other private or public businesses that purchase and install the Product in a dwelling that will be sold, leased or used as a rental unit or for any non-residential purposes.

DISCLAIMER OF OTHER WARRANTIES: THIS LIMITED WARRANTY IS OUR SOLE AND EXCLUSIVE WARRANTY WITH RESPECT TO THE PRODUCTS. ALL IMPLIED WARRANTIES ARE STRICTLY LIMITED TO THE DURATION OF THE LIMITED WARRANTY APPLICABLE TO THE PRODUCT AS STATED ABOVE, INCLUDING BUT NOT LIMITED TO, ANY WARRANTY OF MERCHANTABILITY OR OF FITNESS FOR A PARTICULAR PURPOSE.

Some States do not allow limitations on how long an implied warranty lasts, so the above limitation may not apply to You.

WHAT THIS LIMITED WARRANTY DOES NOT COVER (EXCLUSIONS):

The Limited Warranty does not apply to any Product:

- (1) installed or used outdoors;
- (2) used for purposes for which it is not designed or intended by Us;
- (3) which have been subjected to misuse, vandalism, abuse, negligence, accident, or unauthorized modifications;
- (4) which have been improperly stored (if the Product must be stored, it should be covered and stored in a humidity and temperature-controlled environment, away from direct sunlight);
- (5) which have been improperly installed, cleaned, or maintained (for more information regarding the proper use and care of the Product, please consult the applicable Use and Care Instructions that accompanied the Product or that can be found at <https://prodigycabinetry.com/products/cabinetry-lifetime-warranty>);
- (6) which have been subjected to improper temperature, moisture and/or humidity extremes (temperature outside the range of 50-85°F and humidity outside the range of 30-55% are considered extreme);
- (7) damaged by fire, flood, acts of God, or other external causes beyond our control; and/or
- (8) exhibiting normal wear and tear.
- (9) **delivered to a third party redelivery service.**
- (10) any modification to a cabinet that exceeds our standard construction
- (11) Conditions outside coverage parameters of manufacturer's specifications on Buy-Out products (IE: Painted Doors, Aluminum Doors, Hardware, ETC)

In addition, natural woods may vary in color and characteristics and exhibit subtle changes as they age. For example, painted doors, drawer fronts, and face frames may eventually have visible cracking around the joint area, and cabinet colors may darken or lighten over time. Sunlight, smoke, and other environmental conditions may also affect the color and integrity of the Product's finish or appearance over time. These variations are considered to be the nature of the material in relation to their environmental exposure and are not covered under this Limited Warranty.

Certain household cleaners and other substances may also affect the color and integrity of the Product's finish or appearance over time. Do not use abrasive cleaners, cleaners that contain chlorine, acidic cleaners, scuffing sponges or steel wool because they may scratch and affect the color or finish of the Products. Any such effects on the color and/or integrity of the finish or appearance over time are not considered defects in material or workmanship and are not covered by this Limited Warranty.

ORIGINAL PURCHASER'S SOLE AND EXCLUSIVE REMEDY:

In the event of a defect in the workmanship or materials of a Product or Product component, We will, at our option, repair or replace any defective Product or Product component; provided, if it is not commercially feasible to repair or replace a defective Product or Product component, We may refund the original price paid by You for the defective Product or Product component, or provide a credit towards a similar type of product sold by Us.

The foregoing are Your sole and exclusive remedies for any Product defect or non-conformity. By way of example but not limitation, the following costs and expenses are not covered by this Limited Warranty: (1) labor costs for the original installation, removal, or reinstallation of the Product, or defective part thereof; (2) labor costs or material charges for the removal, reinstallation, repainting, refinishing or replacement of any other items or building materials which must be removed, replaced, reinstalled, or refinished in order to repair or replace the defective Product or component. For example, costs associated with the following will not be reimbursed: counters, sinks, tiles, flooring, accessories, appliances or plumbing fixtures. When a claim for warpage, joint separation or wood growth is submitted, We may, at our option and after inspection, defer action for up to 12 months to allow the Product to acclimate to the installed environment. Further, We reserve the right to modify or alter any Product design, specifications or materials without obligation to make similar changes to Products previously manufactured or sold by Us.

The repair or replacement remedies offered by Us under this Limited Warranty are contingent on the current Product offerings of styles and construction options within our Product line at the time of a warranty claim is made by You. If a valid warranty claim is filed for an obsolete Product, We reserve the right, at our sole option, to honor its repair or replacement obligations under this Limited Warranty by either: (1) replacing the affected Product or component with a new Product or component of the same or approximate style or color from our current Product line or offerings; or (2) replacing the affected Product or component to achieve a uniform appearance with a similar or comparable product style or approximate color of the originally purchased style. If a Product or components are replaced or repaired, We cannot guarantee an exact match with the finish or appearance of other products or fixtures installed at the Your dwelling. This is due to changes that may occur during the Products' natural aging process, affecting its color and/or grain.

LIMITATION OF LIABILITY:

The remedies described above are Your sole and exclusive remedies and our entire liability for any breach of this Limited Warranty. Our total liability shall under no circumstances exceed the actual amount paid by You for the defective product. Further, We shall not under any circumstances be liable for any consequential, indirect, incidental, special or punitive damages or losses, even if this Limited Warranty is deemed to have failed of its essential purpose. Some States do not allow the exclusion or limitation of incidental or consequential damages, so the above limitation or exclusion may not apply to You.

HOW DO YOU OBTAIN WARRANTY SERVICE?

This Limited Warranty can be found at <https://prodigycabinetry.com/products/cabinetry-lifetime-warranty>. To obtain more information regarding the Product or to make a claim under this Limited Warranty, contact one of our authorized dealers or distributors, who will arrange for inspection of the Product. A dated sales receipt as proof of purchase is required to obtain benefits from this Limited Warranty. If you have difficulty obtaining assistance, please write to:

Prodigy Cabinetry
Customer Service Department
2723 White Horse Road, Suite C
Greenville, SC 29611

Effective date 01-22-2024

Standard Order Form

- The Standard Order Form is used for all cabinet/parts orders.
- The header should be filled out with as much information as is available including the PO.
- The following items must be noted: Cabinet Line, Door Style, Color Line, Color Name and Drawer Box.
- For cabinet/part ordering, note the quantity, sku or item, hinging (if applicable), Finished Sections,
- Sales Samples Order Forms are commonly employed by sales teams in furniture or interior design businesses. Sales representatives use these forms to request physical samples of products, such as fabrics, wood finishes, or hardware, which they can then showcase to potential clients during presentations.
- Email completed form to orders@prodigycabinetry.com

Custom Cabinet Request Form

- When submitting a Custom Cabinet Request Form, fill out the upper section with as much information as available.
- The following items must be noted: Cabinet Line, Door Style, Color Line, Color Name and Drawer Box (if applicable).
- Provide additional sketches, photos, or other items as available.
- Allow up to 72 hours to receive a quote
- Email completed form to orders@prodigycabinetry.com

Sales Samples Order Form

- The top section should be filled out including an additional shipping address (if applicable).
- Select quantity of samples/doors/kits.
- Email completed form to orders@prodigycabinetry.com



PRODIGY
CABINETRY

2723 White Horse Rd Ste C
Greenville, SC 29611
864.558.9538
www.prodigycabinetry.com

Custom Cabinet Request

Email: csr@prodigycabinetry.com

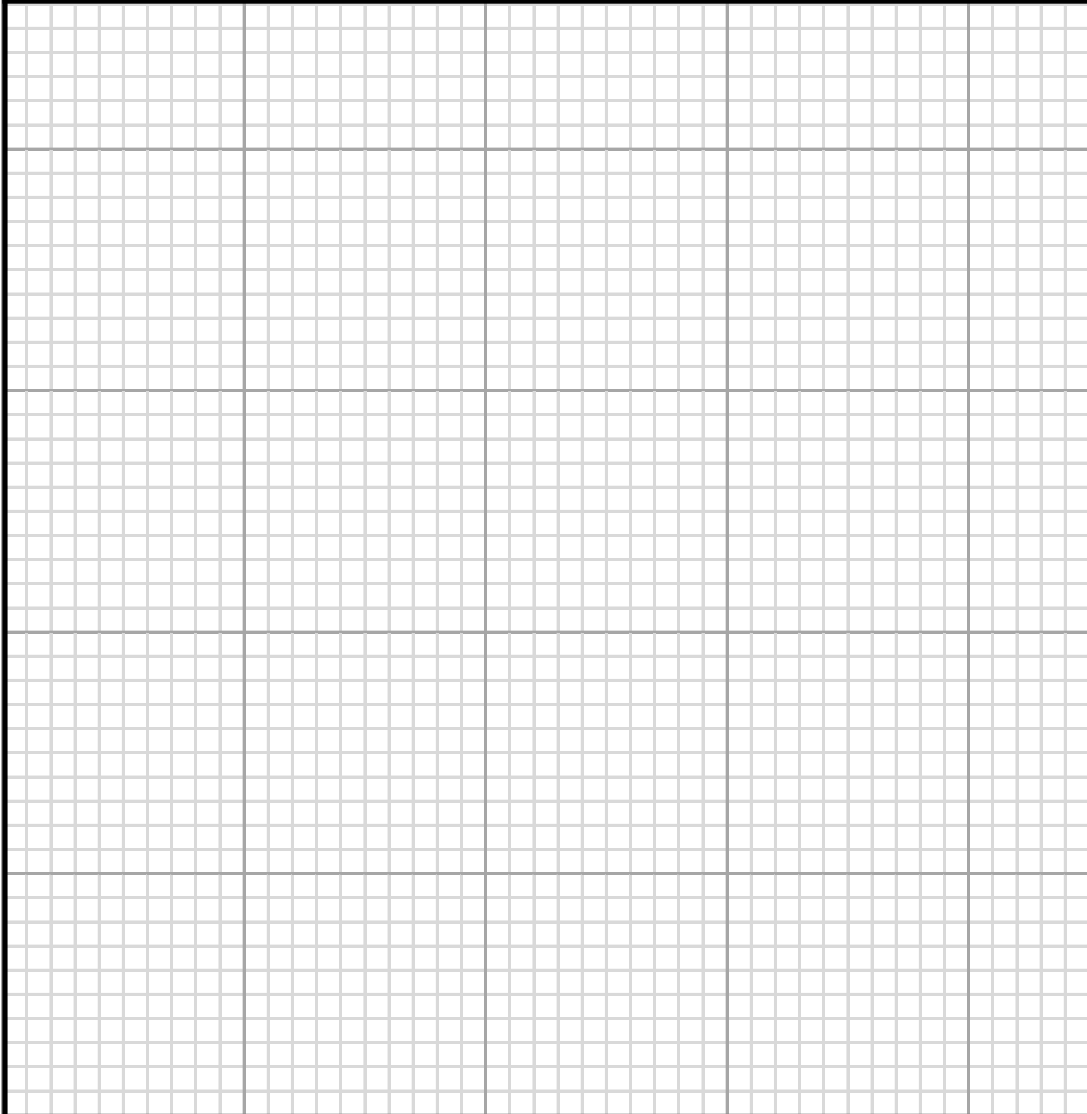
This form is to be used for requesting any cabinet modification other than standard listed modification. Drawings are not necessary for width, height or depth modification providing door configuration is not changed. Your Approved drawing will be returned with a Control Number Assigned and a list price. Include a copy of this drawing when placing the order. An engineering drawing will be sent as part of acknowledgment package for approval.

Page _____ of _____

Sold To		Requested By	
Dealer Account #		Phone	
Dealer Name		Fax	
Address		E-mail	
City/State/Zip			

Order Info		Job Name		PO #		
Item Code	Hinge		Finish			Comments & Instructions
	L	R	L	R	Int	
Case Construction <input type="checkbox"/> Classic <input type="checkbox"/> Signature <input type="checkbox"/> PRO-Series White <input type="checkbox"/> PRO-Series Natural <input type="checkbox"/> PrismBox						
Door Style <input type="checkbox"/> Slab <input type="checkbox"/> Shaker <input type="checkbox"/> Beveled Shaker <input type="checkbox"/> Cosmopolitan				Drawer Style <input type="checkbox"/> Slab <input type="checkbox"/> Shaker		
Color				Drawer Box		

EXACT Overall Dimensions: Width _____ x Height _____ x Depth _____
 Include modified positions for fixed shelf, oven panel rail, etc. on drawing below.



Prodigy Use Only	
All pricing is per specification on this form. Changes invalidate quote.	
Control #	_____
Base Price	_____
Add %	_____
Total Price	_____
NOTE:	



PRODIGY
CABINETY

2723 White Horse Rd Suite C
Greenville, SC 29611
864.558.9538
www.prodigycabinetry.com

Sales Samples Order Form

Email: orders@prodigycabinetry.com

Page of

Sold To		Shipping <small>Extra charges may apply for Package shipping methods</small>	
Dealer Account #		Ship VIA: <input type="checkbox"/> With Other Orders <input type="checkbox"/> Package Ground <input type="checkbox"/> Package Overnight	
Dealer Name		Name	
Address		Address	
City/State/Zip		City/State/Zip	
Order Written By		Attention	
Phone		Phone	
E-mail		E-mail	

Order Info	Order Date	Job Name	PO #
-------------------	------------	----------	------

Type	Color Name	Qty Color Block \$25 List Each	Qty Slab 11x15 Sample Door \$100 List Each	Qty Shaker 11x15 Sample Door \$100 List Each	Qty Slab 15x30 Sample Door Set \$200 List Each	Qty Shaker 15x30 Sample Door Set \$200 List Each	Type	Color Name	Qty Color Block \$25 List Each	Qty Slab 11x15 Sample Door \$125 List Each	Qty Shaker 11x15 Sample Door \$125 List Each	Qty Beveled Shaker 11x15 Sample Door \$125 List Each	Qty Cosmo-politan 11x15 Sample Door \$125 List Each	Qty Slab 15x30 Sample Door Set \$225 List Each	Qty Shaker 15x30 Sample Door Set \$225 List Each	Qty Beveled Shaker 15x30 Sample Door Set \$225 List Each	Qty Cosmo-politan 15x30 Sample Door Set \$225 List Each
Luxe	Agua Marina						Paint	Arctic White									
Luxe	Antracita						Paint	Cadet Gray									
Luxe	Azul Indigo						Paint	Ebony									
Luxe	Azul Marino						Paint	Fern Green									
Luxe	Basalto						Paint	Frosty White									
Luxe	Black						Paint	Gunsmoke									
Luxe	Blanco						Paint	Hearthstone									
Luxe	Cashmere						Paint	Marina									
Luxe	Cotto						Paint	Metropolitan									
Luxe	Guyana						Paint	Regent Blue									
Luxe	Magnolia																
Luxe	Verde Salvia																
Zenit	Agua Marina																
Zenit	Antracita																
Zenit	Azul Indigo						Other Sales Tools		Qty								Qty
Zenit	Azul Marino						PrismAlvic Color Block Set \$1000 list										
Zenit	Basalto						Current Sample Door Set										
Zenit	Black						Full Dealer Starter Set										
Zenit	Blanco						Specification Manual \$50 list										
Zenit	Cashmere						Brochure 25 Pack \$100 list										
Zenit	Cotto						Sample Base (B15) \$800 list										
Zenit	Gris Nube						Mini Base (15x24x21) \$800 list										
Zenit	Magnolia						Extra Color Block Box \$100 list										
Zenit	Verde Salvia						Prism Molding Sample Set \$100 list										
Prism	Black						Painted Moulding Samples \$300 list										
Prism	Folkstone																
Prism	Mysterious																
Prism	White Velvet																
Syncron	Ice Cream 01																
Syncron	Ice Cream 02																
Syncron	Ice Cream 03																
Syncron	Ice Cream 04																
Syncron	Ida 01																
Syncron	Ida 02																
Syncron	Ida 03																
Syncron	Ida 04																
Syncron	Lakeland Oak																
Syncron	Nocce 03																
Syncron	Olmo 01																
Syncron	Olmo 03																
Syncron	Roble Muratti 01																
Syncron	Roble Muratti 04																
Egger	Auburn Carini Walnut																
Egger	Carbon Frozen Wood																
Egger	Light Grey Finition																
Egger	Medium Grey Finition																
Egger	Dark Grey Finition																
Egger	Vincenza Oak																

Custom Orders – Indicate All Information Required to Provide Needed Samples

Dealer Signature _____

Date: _____

