



# Premium Choice Cabinetry



**PRODIGY**  
CABINETRY

2024 Brochure  
In Partnership with Prodigy Cabinetry



# TABLE OF CONTENTS

03 About Us

04 Become Our Dealer

05 Door Styles & Finishes

08 Finest Furniture Finishes

09 Superior Construction

10 Cabinet Dimensions

12 Warranty

15 Maintenance & Care

17 Base Cabinets

25 Wall Cabinets

43 Pantry & Oven Cabinets

46 Storage & Organization

49 Valance, Corbel & Posts

51 Bathroom Vanities

54 Dummy Doors, Drawers & Replacements

56 Panels & Fillers

62 Moldings

65 Frameless Cabinets



## ABOUT US

### QUALITY SERVICE IN CABINETRY

Premium Choice Cabinetry has always maintained the goal of making a house, a home. We offer high-quality home décor and solid wood ready-to-assemble (RTA) kitchen and bath cabinetry to dealers across North America.

At Premium Choice Cabinetry we take pride in maintaining quality control with strict supervision over cabinet assembly. Our trained and experienced carpenters are highly educated in using the latest high-tech cabinet machinery and are dedicated to achieving the best production quality.

We have styles ranging from modern to contemporary. Some of our bestsellers include white and Grey Shaker-Style cabinets, all with finishes that stand the test of time.

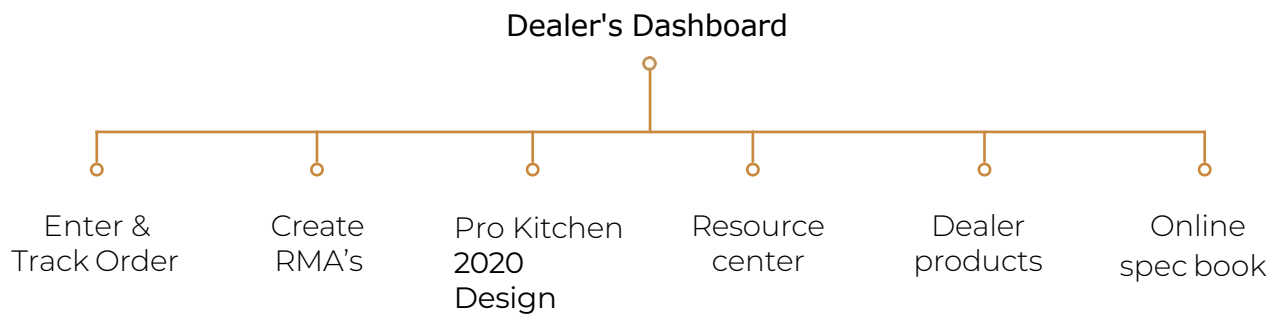
Premium Choice Cabinetry makes cabinetry easy. Our assembly and distribution process is quick, customizable, and quality assured. Whether it be a busy home with family and friends, or a space to house independence, we cater to it. Make Premium Choice Cabinetry a part of the family, and help make a house a home.

# Become Our Dealer - Online Ordering

Our online ordering system is a tool specifically for our dealers. Once you register as a dealer, you will have a user-friendly, customized online dashboard.



After logging in to our dealer's dashboard, you can conveniently search for inventory and its information, place an order, and track your order progress, all in one place.



Premium Choice Cabinetry caters to both individual households and large-scale builders, customizing your orders to specifically meet your needs.

# | Door Styles & Finishes

Premium Choice Cabinetry brings your dream kitchen to life. Whether your taste is transitional, contemporary, or perhaps paint to stain, we will have what you're looking for. Whichever door combination you choose, you will always see the same high-quality, dream-come-true results.

Doors: Our compact doors are built with a soft-close mechanism and integrated with concealed six-way adjustable hinges. Each has solid wood door frames with 3/8" MDF center panels. Doors are full overlay with mortise and tenon construction.

Drawers: Our 5-piece drawers have recessed panel fronts. Each is a 5/8" solid wood drawer box made with dovetail construction. Drawers are built with DTC soft-close full extension and integrated with concealed drawer runners.

Boxes: Our boxes are carefully crafted with dovetail construction. Each are constructed with 1/2" select birch plywood. Boxes are built with 3/4" adjustable shelves, edge-banded in a wood veneer finished interior.

# Transitional Style



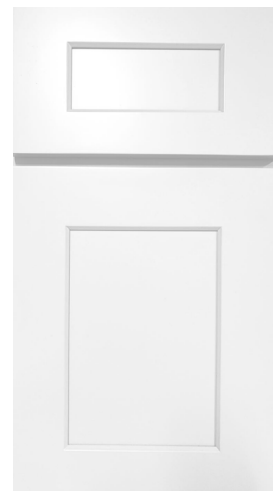
Lexington  
Shaker Ashleaf



Lexington  
Shaker Grey



Lexington  
Shaker Light  
Grey



Lexington  
Shaker White



Lexington  
Beveled Light  
Grey



Lexington  
Beveled White

# Modern Style



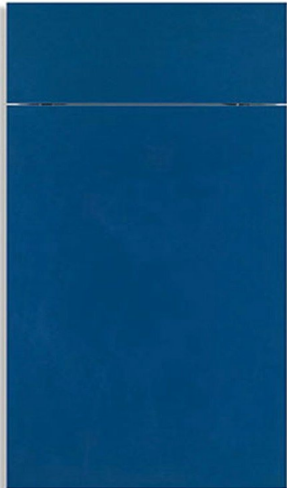
Alvic-Luxe  
Cashmere-Slab



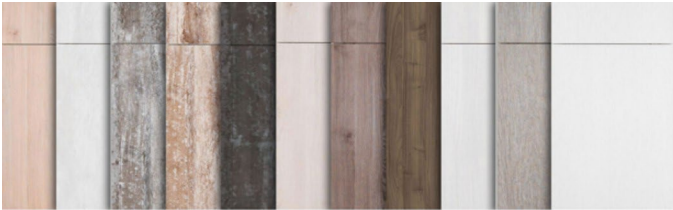
Alvic-Luxe  
Blanco-Slab



Alvic-Syncron  
Ida 02 Slab



Alvic-Luxe Azul  
Indigo - Slab



*\* Visit website for more colors.*

# FINEST FURNITURE FINISHES

Your choice of cabinetry breathes life into your space and is a reflection of your lifestyle. Some homes require modern interiors, where others are more suited for a country feel. Start with your style first, then choose your cabinet door style that compliments it.

As for popularity, flat door panels are in because of their style simplicity and their ability to blend in a variety of design schemes. The “Shaker” style door is the most commonly chosen among the flat door panels due to their clean lines and visual appeal.

To this day, painted doors are still among the most popular cabinets on the market. At Premium Choice Cabinetry, we use the highest-grade paint that Sherwin Williams offers. Paint tones may differ slightly, depending on doors, drawer fronts, and face frames. That being said, there are a few other things to note before you make your decision.

A home is meant to be lived in, therefore hand prints, fingerprints, daily-use residue, marks and chips in the paint require more maintenance on painted doors. It’s also important to remember that with temperature changes, wood naturally expands and contracts, which can cause hairline cracks in the finish and the joints, specifically around miter joints. Because the expansion and contraction of wood is common in the industry, Premium Choice Cabinetry uses MDF (Medium-Density Flatboard) for the center panels in all painted cabinetry to help with stability.

We recommend you order sample doors to see how it will look in your space with the changes in lighting and temperature. Remember, the kitchen is the heart of the home, so be sure to consider not just the look, but also the feel of the cabinetry you want to choose.





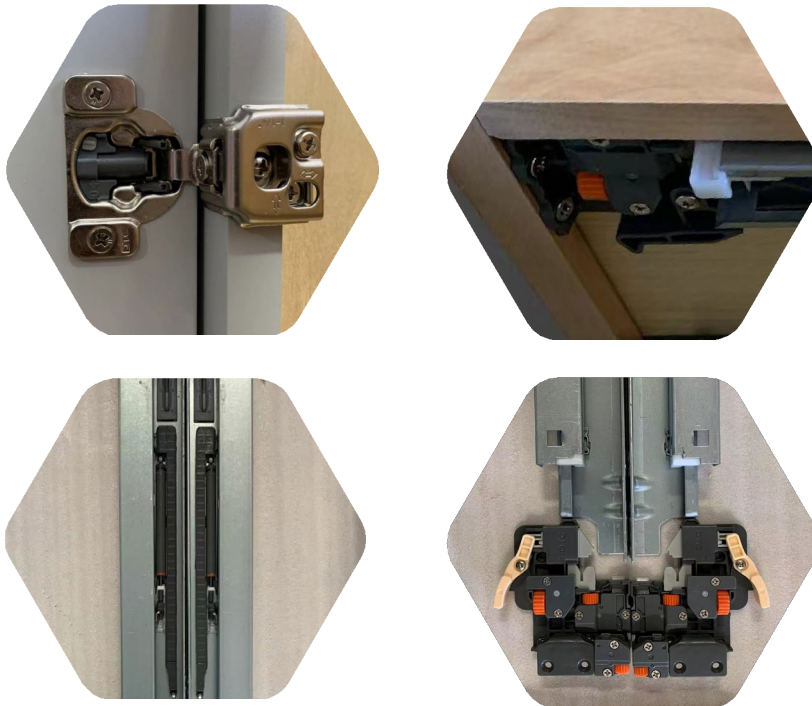
# | SUPERIOR CONSTRUCTION

Quality control is our top priority. Our materials, carpenters, and machinery are all top-tier and strictly supervised. If there are design changes or concerns from our customers, we are able to respond with our ad hoc quality control.

Our warehouse is always fully-stocked with ready-to-assemble (RTA) cabinetry and vanities, making your orders ready for pick-up or delivery quickly and easily.

We are nothing without our customers, therefore all our cabinets at Premium Choice Cabinetry and semi-customizable, ready-to-assemble (RTA), and ready-to-build (RTB). Construction is taken seriously at Premium Choice Cabinetry, and our products are finely crafted with solid wood doors and frames, 1/2" thick plywood boxes, soft-close metal door hinges, 3/4" to full extension drawers with soft-close metal glides, and more.

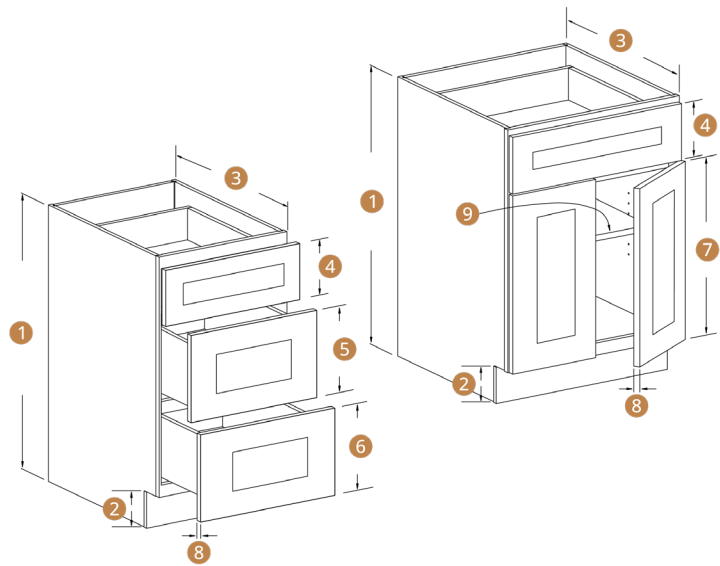
We strive to continuously improve and expand our product quality, designs, and styles; therefore, the functionality may vary slightly between existing and new products. Please continue to check back with Premium Choice Cabinetry for our latest styles and updates.



# CABINET DIMENSIONS

## KITCHEN CABINET

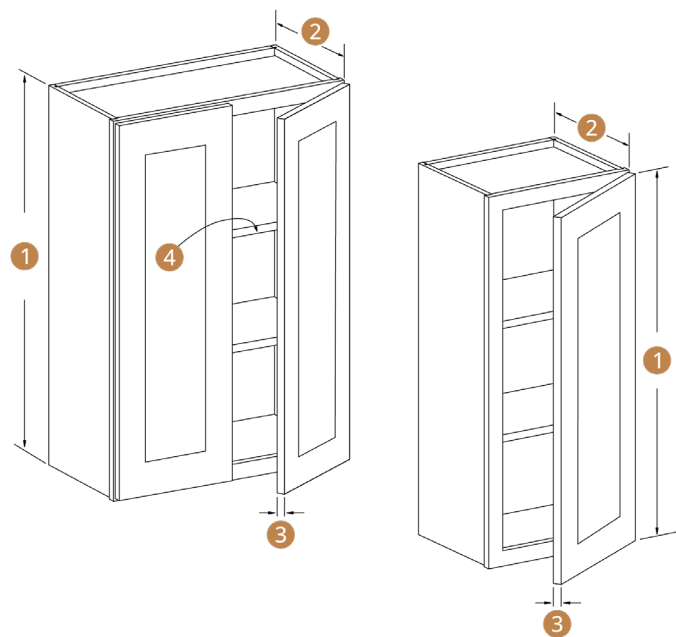
- 01 Standard 34-1/2"
- 02 Standard 4-1/2"
- 03 Standard 24"
- 04 Standard 6-2/3"
- 05 11-1/3"
- 06 11-1/3"
- 07 22-2/3"
- 08 3/4"
- 09 Standard 18" depth shelf



## WALL CABINET

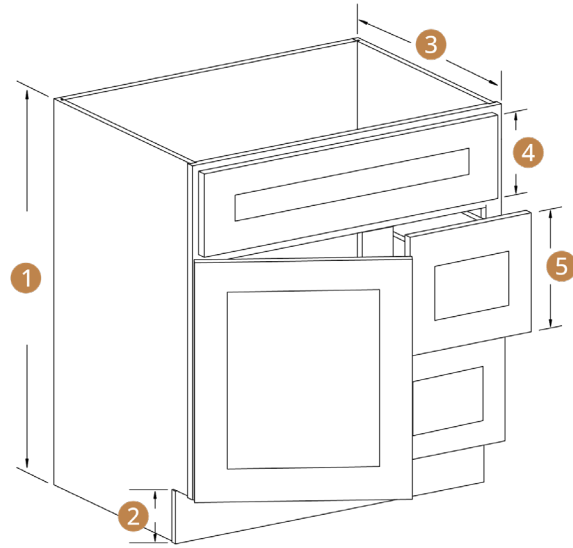
- 01 Standard wall cabinets 30", 36", 42"
- 02 Standard 12"
- 03 Standard 3/4"
- 04 Depth 10-2/3", thickness 3/4"

Note: 6 way adjustable hinge. Unscrew and switch the hinge side to change the door opening direction.



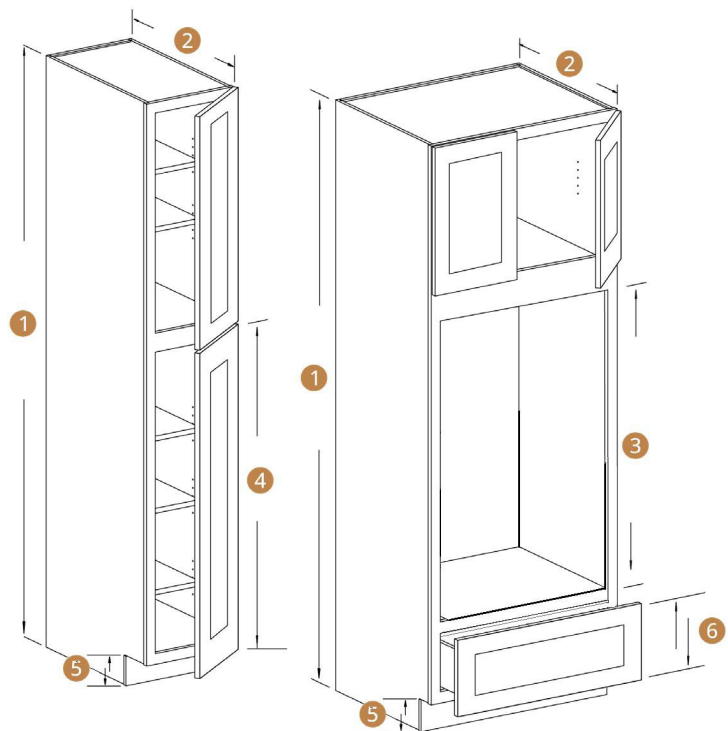
# VANITY CABINET

- 01 Standard 34-1/2"
- 02 Standard 4-1/2"
- 03 Standard 21"
- 04 Standard 6-2/3"
- 05 11-1/3"



# TALL CABINET

- 01 Standard 84", 90", 96"
- 02 Standard 24"
- 03 Opening 51 1/2"
- 04 Standard 49-1/2"
- 05 Standard 4 1/2"
- 06 Standard - 11-1/3"



# WARRANTY

## Part 1: Coverage of Warranty

Premium Choice Cabinetry is pleased to provide the following limited warranty on all kitchen cabinets and vanities.

This warranty doesn't cover cabinets sold or shipped outside of the US. This limited warranty is subject to all limitations, exclusions, disclaimers, and procedures set forth herein.

Premium Choice Cabinetry warrants to the original purchasing consumer and any succeeding user to whom this warranty has been assigned that all cabinets purchased from Premium Choice Cabinetry will be free from all unnatural defects in material and workmanship under normal residential use for a period of TWO (2) YEARS from the date of the original purchase from Premium Choice Cabinetry.

## Part 2: Exclusions

This warranty supersedes any and all previous warranties on Premium Choice Cabinetry and constitutes the only and exclusive remedy in respect of Premium Choice Cabinetry for all defects, damages and workmanship. There are no implied warranties extending beyond the terms of this warranty.

Premium Choice Cabinetry shall not be liable for any natural wear and tear or any indirect, special, punitive, incidental or consequential costs, expenses or damages. This warranty gives you specific legal rights, and you may also have other rights, which vary from one jurisdiction to another. It is possible that one or more of the limitations and exclusions in this warranty may not apply to you.

## Part 3: Limitations

This warranty shall become void if the cabinets, cabinetwork, drawer slides or hinges are modified from its original form, improperly installed or damaged prior to or during the installation, or used in any way other than for residential purposes. This warranty covers only parts and materials of the cabinets with the brand name, Premium Choice Cabinetry.

This warranty does not cover any products used or installed in connection with cabinets, including without limitation, gas or electric appliances, countertops, or plumbing fixtures. This warranty does not apply to products installed at locations where year-round environmental or temperature controls are not maintained at the same levels as those of a normal household.

This warranty shall not apply to damages caused by transportation, storage, dirt, chemicals, exposure to moisture, humidity or excessive heat or cold, nor does it cover defects arising

from normal wear and tear, misuse, neglect, accidents, alterations, improper use or lack of proper maintenance, house settling, or acts of God. No installer, retailer, distributor, agent or employee of Premium Choice Cabinetry has the authority to alter the obligations or limitations in this warranty.

## Part 4: Disclaimers

The following is a brief recap of some of the characteristics of the wood and finishes on the cabinets you are about to purchase. Please read them carefully. If some of these characteristics concern you, please choose something else. We bring these characteristics to your attention so you will realize that Premium Choice Cabinetry will not be held responsible for these variations in your cabinet. It is important to note that wood products claimed as defective are most often the result of atmospheric conditions such as excess moisture and humidity.

Premium Choice Cabinetry strongly recommends testing the intended location of the products for such conditions prior to installation.

### WOOD AND COLOR VARIATIONS:

Wood is a product of nature, and since no two trees are alike, cabinets may vary in color, texture and grain.

Wood characteristics naturally occurring such as variations in color, grain, mineral streaks, pinholes, and knots are not considered defects. Color variations in cabinets are also a natural occurrence due to species, age or character of cabinets, or exposure to UV light and sunlight. For these reasons, new or replacement cabinets may not match display samples or existing cabinets. This may result in overall color variations but is not considered a defect.

### WOOD DOORS:

Wood by nature will undergo expansion and contraction movements year after year as it compensates and adjusts to ever changing atmospheric humidity and temperature conditions. It is very common for center panels on doors to shrink, expand or move during these transitions. Typically, the panel will return to its normal position within a year once it has adjusted to seasonal changes. It is for these same reasons that it is very common for doors to warp during these periods.

Doors that are warped up to 1/4" are not considered defective. Note: It is advisable to check if the door was properly installed, since doors that appear warped are very often the result of improper installation.

### PAINTED FINISHES:

Birch is non-porous, smooth grained wood. Additionally, wood by nature undergoes periods of expansion and contraction while it adjusts to atmospheric conditions mentioned above. As such, finish stress lines may become visible on painted cabinets especially at the joints. Any such occurrence is not considered a defect.

## GLAZED FINISHES:

A glazed finish by character is an uneven finish. Some edges and profiles will have a heavier hang up than others and glazing may vary from cabinet to cabinet, door to drawer and item to item. This may result in overall color variations but is not considered a defect.

### Part 5: Warranty Performance

If a defect does occur within the terms and conditions of this warranty, such a defective part will be repaired or replaced by Premium Choice Cabinetry at its sole discretion. Premium Choice Cabinetry will not provide or pay for the cost of removal of defective products, transportation of defective products, repaired or replaced products or installation of repaired or replaced products.

Premium Choice Cabinetry will not be responsible for any damage to the defective, replaced, or repaired product that occurred during its shipment or transportation. If any defective item has been discontinued or is not available at the time, Premium Choice Cabinetry reserves the right to replace the item with the most similar item available in Premium Choice Cabinetry's inventory at that time.

Premium Choice Cabinetry cannot guarantee that the finish of any replacement will exactly match the finish and appearance of the defective item due to the natural aging process of wood and finishes of cabinets. Premium Choice Cabinetry may require at its discretion that the customer submit a clear photo, or that a company representative view the item being claimed before honoring this warranty.

### Part 6: Claims

To submit a claim covered under this warranty, the original proof of purchase and full payment or certified true copy thereof must be provided to Premium Choice Cabinetry. Premium Choice Cabinetry will contact you once your claim has been reviewed.



# MAINTENANCE & CARE

When our customers are looking to upgrade their home with beautiful new cabinetry, they are not only looking for designs and styles that complement their lifestyle, but they also want their new investment to stand the test of time. The kitchen is a busy place, so there are a few simple things you can do to protect your cabinetry and maintain its appearance.

Dust is unavoidable in any home; therefore, it is important to dust and/or vacuum your cabinetry on a regular basis. When dusting, however, we recommend you use a cloth that is moistened with water or polish, and wipe following the natural grain of the wood, not against. Wiping against the grain may cause scratches should the dust contain grit.

In any kitchen, there is going to be residue, such as splattered food, oil, or smoke, from everyday use. Residue should be wiped up with a damp cloth or a cloth containing a small amount of furniture polish. Cloths that are great for cleaning your cabinetry include clean dish towels, cheesecloth, or old t-shirts that are free from buttons or snaps that can cause scratches.

## MORE DETAILS

### 01 Basic Cleaning:

1. Make sure the cloth that you are using to dust or wipe up stains or spills is soft, lint-free, and dampened with mild detergent, polish, or soap and warm water.
2. Don't clean against the grain, and for best results, use a "blotting" motion rather than a "wiping" motion.
3. If surfaces get wet, dry immediately with a soft, lint-free cloth.
4. If possible, avoid using a dish cloth or sponge, as detergent residue left over can harm finishes.
5. Avoid using ammonia-based cleaners and soaps with dye.

### 02 Basic Care

To ensure that your cabinetry not only stays with you during the many phases of life, but also remains timeless in its appearance, there are a few daily practices that you can do to help care for your cabinets long-term.

Caring for your new cabinetry doesn't have to be time-consuming. In fact, a little care can go a long way. Being consistent and proactive is your best defense against time and "wear and tear" when it comes to your cabinets.

Just remember the three NO's:

1. No Spill Left Uncleaned
2. No Moisture & Heat
3. No Abrasives

# MAINTENANCE & CARE

03

## Basic Care Tips

### If You Spill It, Clean It

- If something is spilled, wipe it up promptly. Food spills, especially grease and oil, will come off much easier if removed right away. Water rings, spots, and spills need to be wiped up with a clean, lint-free cotton cloth to stop the moisture from leaking into the cabinetry.
- Use trays under potted plants, and check the areas around the sink, dishwasher, and any other appliance that uses water to operate to ensure there are no leaks and water is not drying on the cabinetry.

### Say No to Moisture & Heat

- Avoid keeping damp dish towels or dishcloths on or over doors of the base of the cabinets for any length of time.
- Avoid using appliances that produce heat or steam, such as a tea kettle, that is directed toward any cabinetry surface.
- If you are resting something down that is hot, put a hot pad down first for protection.

### Goodbye Abrasives

- Using scouring pads, steel wool, wire brushes, and powdered cleaners is the fastest way to scratch your new cabinetry.
- Oven cleaner is also extremely damaging, so avoid letting it touch any part of your cabinets.
- Do not slide anything across the surface of your cabinets.
- Use a cutting board when using knives or other sharp objects.
- When in doubt, DON'T! Harsh cleaning chemicals will not only destroy the finish, but also penetrate the surface to allow moisture and food inside.

04

## Cleaning of Glass Door Inserts:

- For more delicate parts of your cabinets, such as glass door inserts, use a household glass cleaner with a soft, clean cloth.
- Apply the solution to the cloth rather than on the glass to avoid excess glass cleaner dripping down into the cabinet joints.
- Never use full strength ammonia. Always dilute.

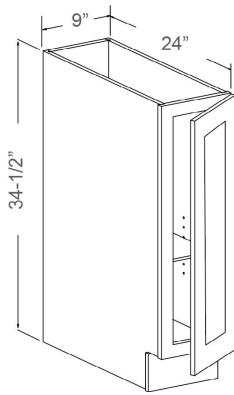


---

# BASE CABINETS



## BASE CABINET WITH A FULL HEIGHT DOOR



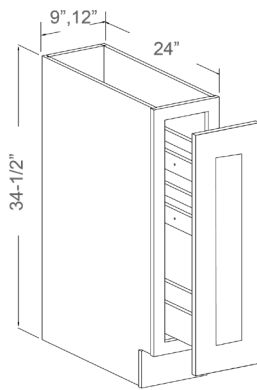
### Features

- 1 Doors
- 1 Adjustable Shelf

### General Info

Item Code	Dimension (WxHxD)
B09FH	9 x 34-1/2 x 24 Inch
B12FH	12 x 34-1/2 x 24 Inch
B15FH	15 x 34-1/2 x 24 Inch
B18FH	18 x 34-1/2 x 24 Inch
B21FH	21 x 34-1/2 x 24 Inch
B24FH	24 x 34-1/2 x 24 Inch
B27FH	27 x 34-1/2 x 24 Inch
B30FH	30 x 34-1/2 x 24 Inch
B33FH	33 x 34-1/2 x 24 Inch
B36FH	36 x 34-1/2 x 24 Inch

## SPICE PULL-OUT BASE CABINET



### Features

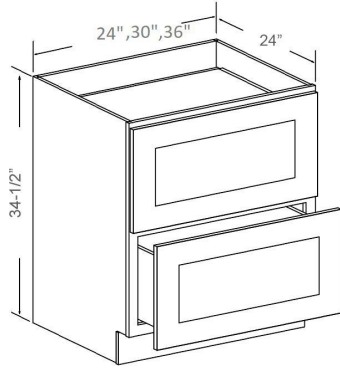
- 1 Door
- 3 Fixed Pull-Out Shelves

### General Info

Item Code	Dimension (WxHxD)
B09SP	9 x 34-1/2 x 24 Inch

Notes: Soft close ball bearing side glides not included

## DRAWER BASE WITH 2 DRAWERS



### Features

- 2 Drawers
- No Shelf

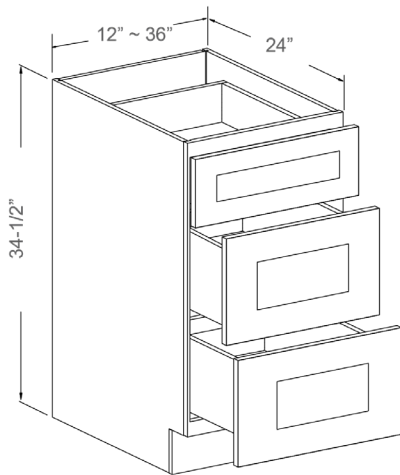
### General Info

Item Code	Dimension (WxHxD)
2DB27	27 x 34-1/2 x 24 Inch
2DB30	30 x 34-1/2 x 24 Inch
2DB36	36 x 34-1/2 x 24 Inch

### Description

2 Deep Drawers with Solid Wood Drawer Box

## DRAWER BASE WITH 3 DRAWERS



### Features

- 3 Drawers
- No Shelf

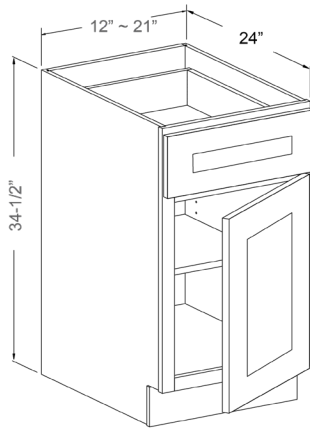
### General Info

Item Code	Dimension (WxHxD)
3DB12	12 x 34-1/2 x 24 Inch
3DB15	15 x 34-1/2 x 24 Inch
3DB18	18 x 34-1/2 x 24 Inch
3DB21	21 x 34-1/2 x 24 Inch
3DB24	24 x 34-1/2 x 24 Inch
3DB27	27 x 34-1/2 x 24 Inch
3DB30	30 x 34-1/2 x 24 Inch
3DB36	36 x 34-1/2 x 24 Inch

### Description

1 Standard Drawer and 2 Deep Drawers with Solid Wood Drawer Box

## BASE CABINET WITH 1 DRAWER & 1 DOOR



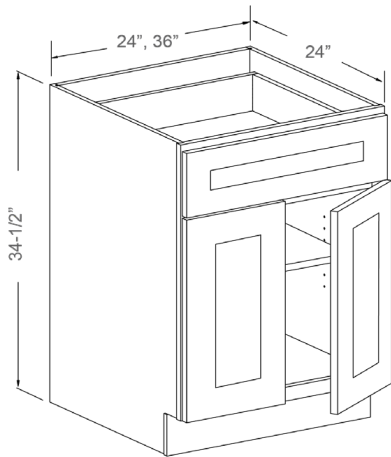
### Features

- 1 Drawer
- 1 Doors
- 1 Adjustable Shelf

### General Info

Item Code	Dimension (WxHxD)
B12	12 x 34-1/2 x 24 Inch
B15	15 x 34-1/2 x 24 Inch
B18	18 x 34-1/2 x 24 Inch
B21	21 x 34-1/2 x 24 Inch

## BASE CABINET WITH 1 DRAWER & 2 DOORS

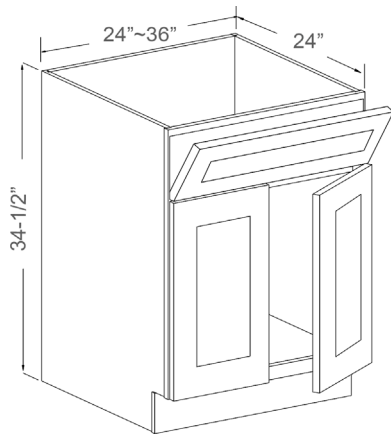


### Features

- 1 Drawer
- 2 Doors
- 1 Adjustable Shelf

### General Info

Item Code	Dimension (WxHxD)
B24	24 x 34-1/2 x 24 Inch
B27	27 x 34-1/2 x 24 Inch
B30	30 x 34-1/2 x 24 Inch
B33	33x 34-1/2 x 24 Inch
B36	36x 34-1/2 x 24 Inch



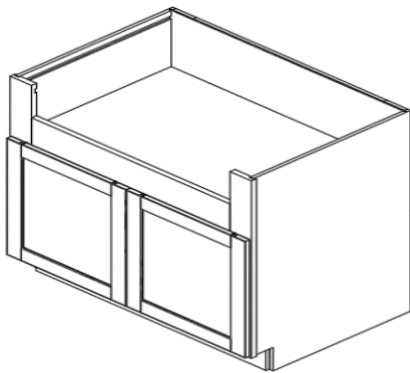
**Features**

- Fixed Drawer
- 2 Doors
- No Shelf

**General Info**

Item Code	Dimension (WxHxD)
SB24	24 x 34-1/2 x 24 Inch
SB27	27 x 34-1/2 x 24 Inch
SB30	30 x 34-1/2 x 24 Inch
SB33	33 x 34-1/2 x 24 Inch
SB36	36 x 34-1/2 x 24 Inch

## FARM SINK BASE WITH 2 DOORS



**Features**

- 2 Doors
- No Shelf

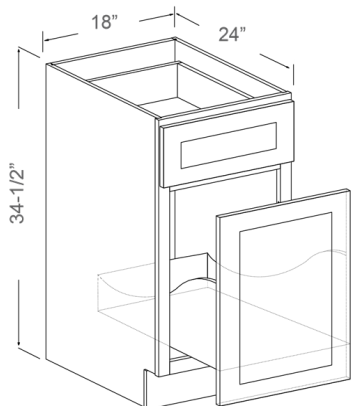
**General Info**

Item Code	Dimension (WxHxD)
FS30	30 x 34-1/2 x 24 Inch
FS36	36 x 34-1/2 x 24 Inch
FS39	39 x 34-1/2 x 24 Inch

**Description**

For Farm Style Sink Only

## WASTE BIN BASE CABINET



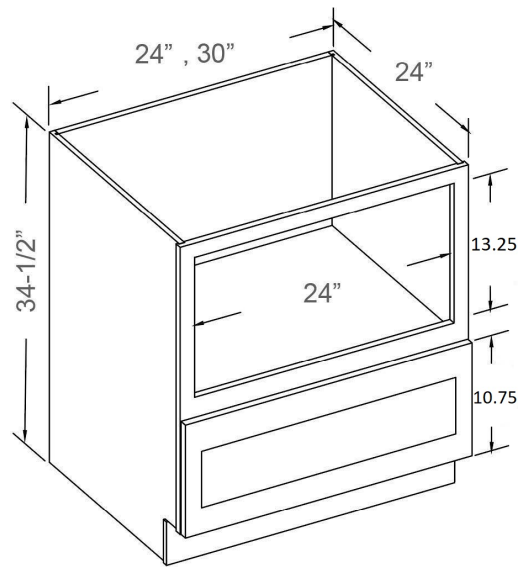
**Features**

- 1 Standard Drawer with Solid Wood Drawer Box
- 1 Door
- 2 Large Bin Cut-Outs with 2 Plastic Waste Bins

**General Info**

Item Code	Dimension (WxHxD)
BWB18	18 x 34-1/2 x 24 Inch

## BASE MICROWAVE DRAWER



### Features

1 Bottom Drawer with Solid Wood Drawer Box

### General Info

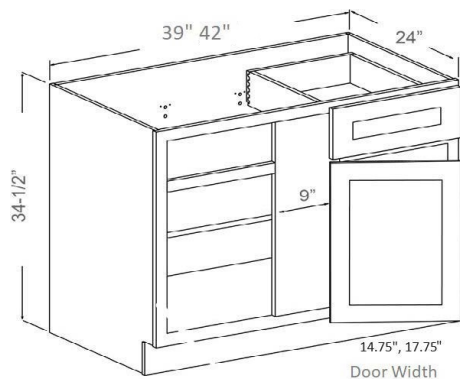
Item Code Dimension (WxHxD)

BMD30 30 x 34-1/2 x 24 Inch

### Description

For Built-In Microwaves Not Countertop Microwaves

## BASE BLIND CORNER



### Features

1 Drawer & 1 Door on Left or Right

1 Adjustable Shelf

### General Info

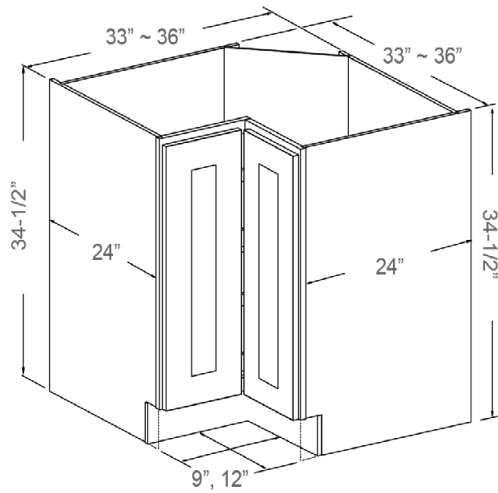
Item Code Dimension (WxHxD)

BLB39/42 39 x 34-1/2 x 24 Inch

BLB42/45 42 x 34-1/2 x 24 Inch

\* Minimum 3" Pull From The Wall When Install.

## LAZY SUSAN BASE



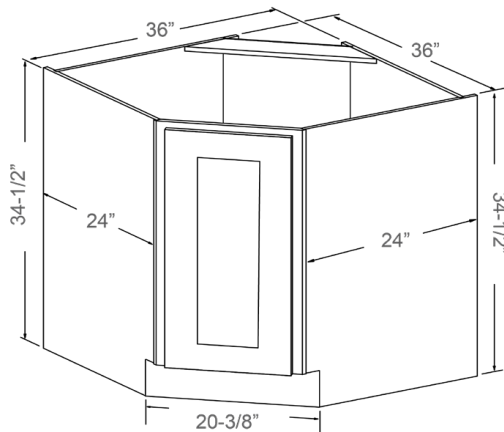
### Features

- 1 Bi-folding Door
- 2 Wooden Kidney-Shaped Susans

### General Info

Item Code	Dimension (WxHxD)
LSB33(L/R)	33 x 34-1/2 x 24 Inch
LSB36(L/R)	36 x 34-1/2 x 24 Inch

## DIAGONAL SINK BASE



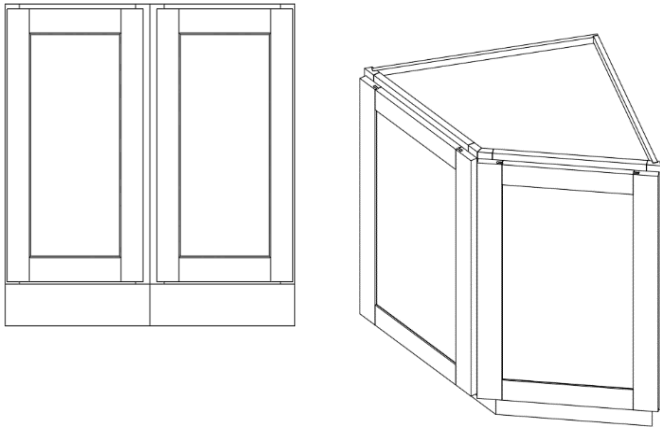
### Features

- 1 Full Door
- No Shelf

### General Info

Item Code	Dimension (WxHxD)
DSB36	36 x 34-1/2 x 24 Inch

## BASE ANGLE END CABINET (L/R)



### Features

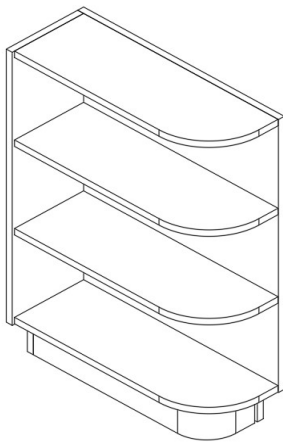
- 2 Full Doors
- 1 Adjustable Wood Shelf

### General Info

Item Code	Dimension (WxHxD)
BAE24	24 x 34-1/2 x 24 Inch

---

## Base Open End Shelf (L/R)

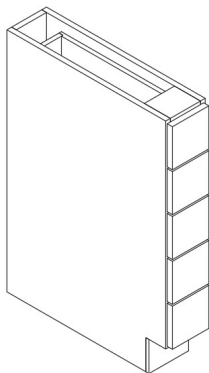


### General Info

Item Code	Dimension (WxHxD)
BOES09L	09 x 34-1/2 x 24 Inch
BOES09R	09 x 34-1/2 x 24 Inch

---

## Base Wine Rack Cabinet



### General Info

Item Code	Dimension (WxHxD)
BWRC09	09 x 34-1/2 x 24 Inch

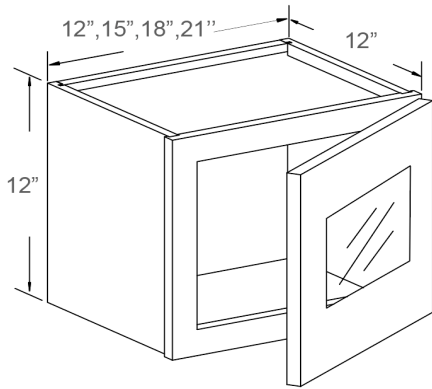


---

# WALL CABINETS



## WALL CABINET 12"H WITH GLASS INSERT DOOR



*\*Matching Interior not included on stained Cabinets*

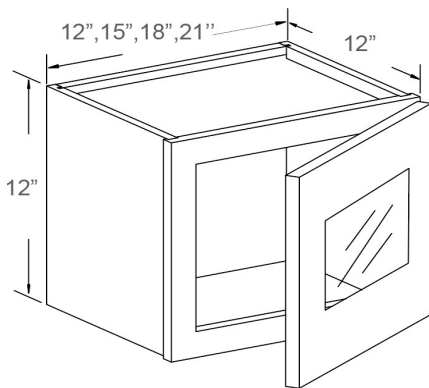
### Features

- 1 Glass Insert Door
- No Shelf
- Matching Color Interior

### General Info

Item Code	Dimension (WxHxD)
W1212GD&BOX	12 x 12 x 12 Inch
W1512GD&BOX	15 x 12 x 12 Inch
W1812GD&BOX	18 x 12 x 12 Inch
W2112GD&BOX	21 x 12 x 12 Inch

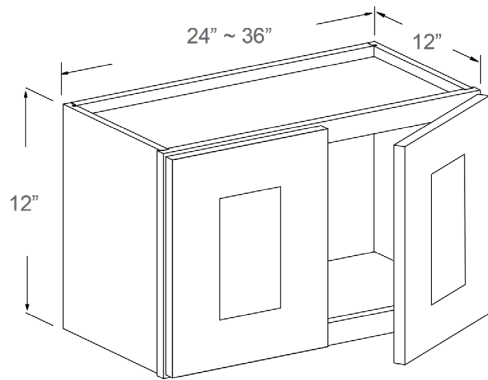
## WALL CABINET 15"H WITH GLASS INSERT DOOR



### General Info

Item Code	Dimension (WxHxD)
W1215GD&BOX	12 x 12 x 12 Inch
W1515GD&BOX	15 x 12 x 12 Inch
W1815GD&BOX	18 x 12 x 12 Inch
W2115GD&BOX	21 x 12 x 12 Inch

## WALL CABINET 12"H WITH 2 DOORS



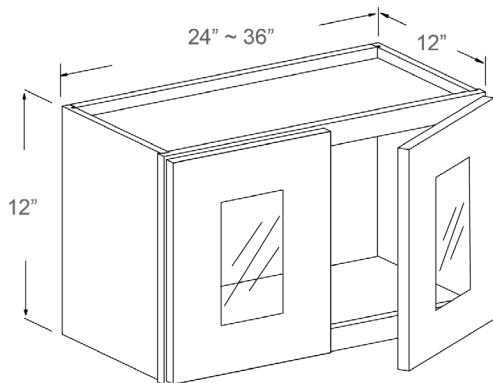
### Features

- 2 Doors
- No Shelf

### General Info

Item Code	Dimension (WxHxD)
W2412	24 x 12 x 12 Inch
W2712	27 x 12 x 12 Inch
W3012	30 x 12 x 12 Inch
W3312	33 x 12 x 12 Inch
W3612	36 x 12 x 12 Inch

## WALL CABINET 12"H WITH 2 GLASS INSERT DOORS



### Features

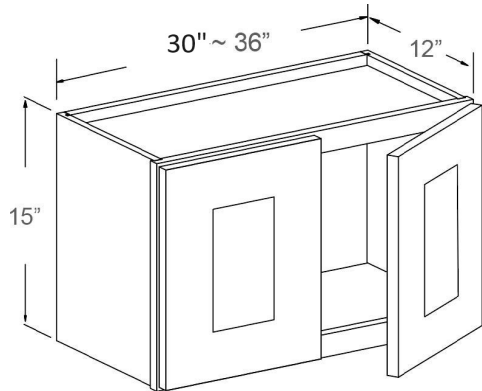
- 2 Glass Insert Doors
- No Shelf
- Matching Color Interior

### General Info

Item Code	Dimension (WxHxD)
W2412GD&BOX	24 x 12 x 12 Inch
W2712GD&BOX	27 x 12 x 12 Inch
W3012GD&BOX	30 x 12 x 12 Inch
W3312GD&BOX	33 x 12 x 12 Inch
W3612GD&BOX	36 x 12 x 12 Inch

*\* Matching Interior not included on stained Cabinets*

## WALL CABINET 15"H WITH 2 DOORS



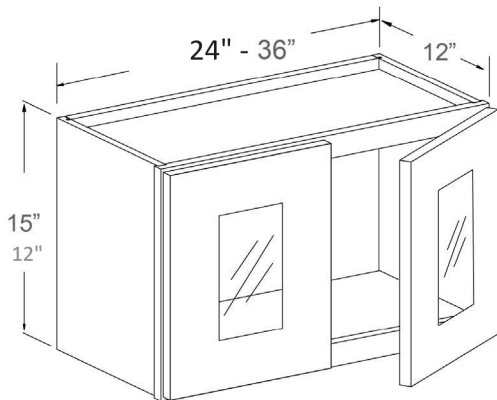
### Features

- 2 Doors
- No Shelf

### General Info

Item Code	Dimension (WxHxD)
W3015	30 x 15 x 12 Inch
W3315	33 x 15 x 12 Inch
W3615	36 x 15 x 12 Inch

## WALL CABINET 15"H WITH 2 GLASS INSERT DOORS



### Features

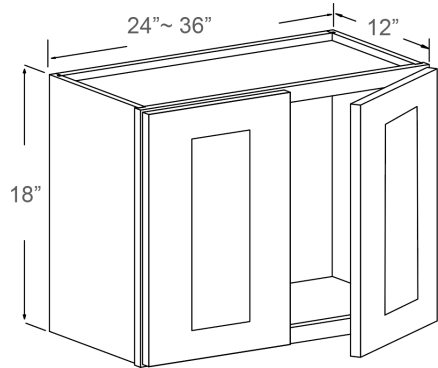
- 2 Glass Insert Doors
- No Shelf
- Matching Color Interior

### General Info

Item Code	Dimension (WxHxD)
W2412GD&BOX	24 x 12 x 12 Inch
W2712GD&BOX	27 x 12 x 12 Inch
W3015GD&BOX	30 x 15 x 12 Inch
W3315GD&BOX	33 x 15 x 12 Inch
W3615GD&BOX	36 x 15 x 12 Inch *

*\*Matching Interior not included on stained Cabinets*

## WALL CABINET 18"H WITH 2 DOORS



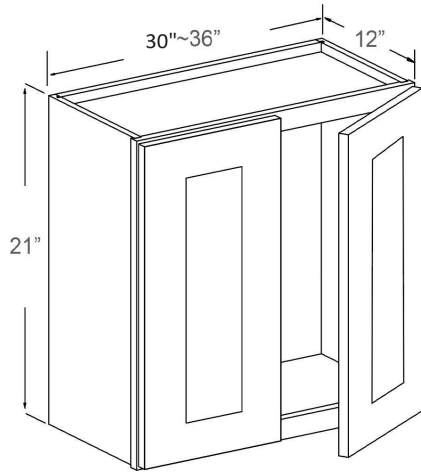
### Features

- 2 Doors
- No Shelf

### General Info

Item Code	Dimension (WxHxD)
W2418	24 x 18 x 12 Inch
W2718	27 x 18 x 12 Inch
W3018	30 x 18 x 12 Inch
W3318	33 x 18 x 12 Inch
W3618	36 x 18 x 12 Inch

## WALL CABINET 21"H WITH 2 DOORS



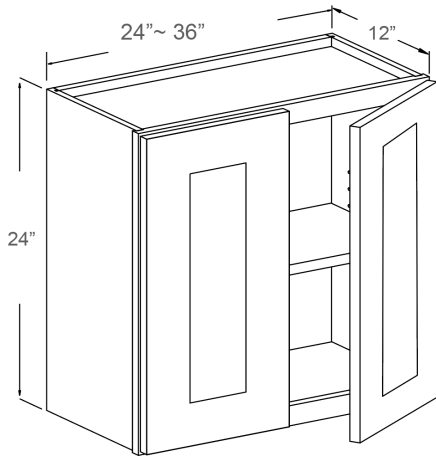
### Features

- 2 Doors
- No Shelf

### General Info

Item Code	Dimension (WxHxD)
W3012	30 x 21 x 12 Inch
W3321	33 x 21 x 12 Inch
W3621	36 x 21 x 12 Inch

# WALL CABINET 24"H WITH 2 DOORS



## Features

2 Doors

1 Adjustable Wood Shelf

## General Info

Item Code    Dimension (WxHxD)

W2424        24 x 24 x 12 Inch

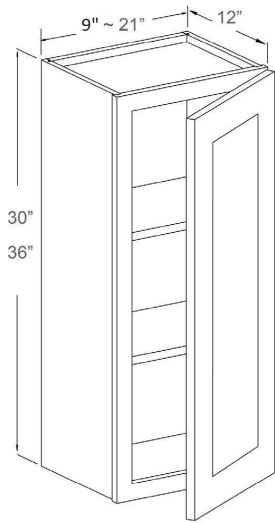
W2724        27x 24 x 12 Inch

W3024        30 x 24 x 12 Inch

W3324        33 x 24 x 12 Inch

W3624        36 x 24 x 12 Inch

## WALL CABINET 30"H & 36"H



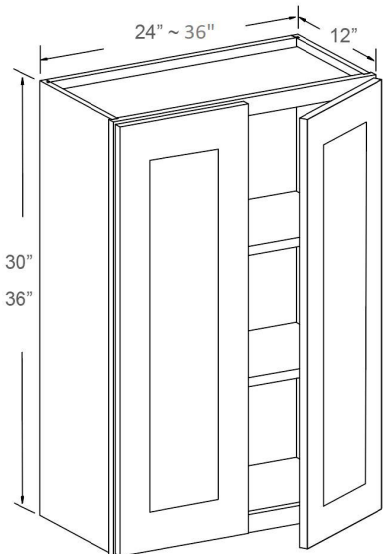
### Features

- 1 Door
- 2 Adjustable Wood Shelves

### General Info

Item Code	Dimension (WxHxD)
W0930	09x 30 x 12 Inch
W1230	12 x 30 x 12 Inch
W1530	15 x 30 x 12 Inch
W1830	18 x 30 x 12 Inch
W0936	09 x 30 x 12 Inch
W1236	12 x 36 x 12 Inch
W1536	15 x 36 x 12 Inch
W1836	18 x 36 x 12 Inch
W2136	21 x 36 x 12 Inch

## WALL CABINET 30"H & 36"H



### Features

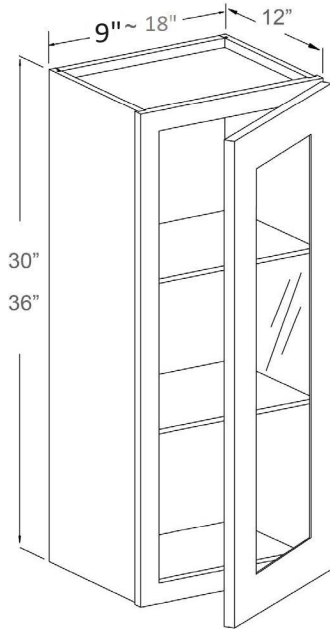
- 2 Doors
- 2 Adjustable Wood Shelves

### General Info

Item Code	Dimension (WxHxD)
W2430	24 x 30 x 12 Inch
W2730	27 x 30 x 12 Inch
W3030	30 x 30 x 12 Inch
W3330	33 x 30 x 12 Inch
W3630	36 x 30 x 12 Inch
W2436	24 x 36 x 12 Inch
W2736	27 x 36 x 12 Inch
W3036	30 x 36 x 12 Inch
W3336	33 x 36 x 12 Inch
W3636	36 x 36 x 12 Inch



## WALL CABINET 30"H & 36"H - GLASS INSERT DOOR



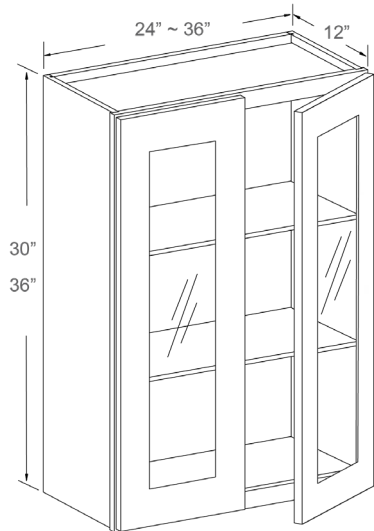
### Features

- 1 Glass Insert Door
- 2 Adjustable Wood Shelves
- Interior Is Unfinished

### General Info

Item Code	Dimension (WxHxD)
W0930GD&BOX	09x 30 x 12 Inch
W1230GD&BOX	12 x 30 x 12 Inch
W1530GD&BOX	15 x 30 x 12 Inch
W1830GD&BOX	18 x 30 x 12 Inch
W0936GD&BOX	09x 36 x 12 Inch
W1236GD&BOX	12 x 36 x 12 Inch
W1536GD&BOX	15 x 36 x 12 Inch
W1836GD&BOX	18 x 36 x 12 Inch

## WALL CABINET 30"H & 36"H - GLASS INSERT DOOR



### Features

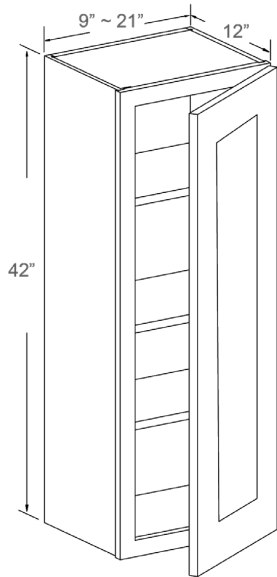
- 2 Glass Insert Doors
- 2 Adjustable Wood Shelves
- Matching Color Interior

### General Info

Item Code	Dimension (WxHxD)
W2430GD&BOX	24 x 30 x 12 Inch
W2730GD&BOX	27 x 30 x 12 Inch
W3030GD&BOX	30 x 30 x 12 Inch
W3330GD&BOX	33 x 30 x 12 Inch
W3630GD&BOX	36 x 30 x 12 Inch
W2436GD&BOX	24 x 36 x 12 Inch
W2736GD&BOX	27 x 36 x 12 Inch
W3036GD&BOX	30 x 36 x 12 Inch
W3336GD&BOX	33 x 36 x 12 Inch
W3636GD&BOX	36 x 36 x 12 Inch

*\*Matching Interior not included on stained Cabinets*

## WALL CABINET 42"H



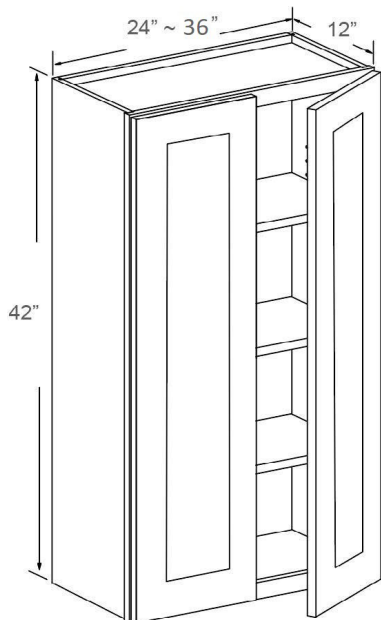
### Features

- 1 Door
- 3 Adjustable Wood Shelves

### General Info

Item Code	Dimension (WxHxD)
W0942	9 x 42 x 12 Inch
W1242	12 x 42 x 12 Inch
W1542	15 x 42 x 12 Inch
W1842	18 x 42 x 12 Inch
W2142	21 x 42 x 12 Inch

## WALL CABINET 42"H



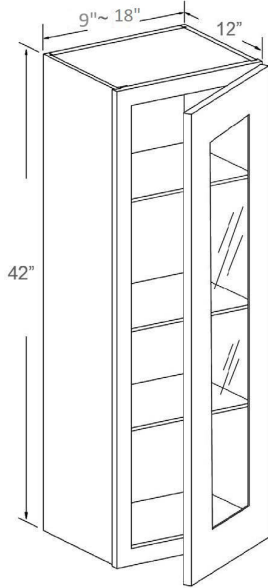
### Features

- 2 Doors
- 3 Adjustable Wood Shelves

### General Info

Item Code	Dimension (WxHxD)
W2442	24 x 42 x 12 Inch
W2742	27 x 42 x 12 Inch
W3042	30 x 42 x 12 Inch
W3342	33 x 42 x 12 Inch
W3642	36 x 42 x 12 Inch

## WALL CABINET 42"H - GLASS INSERT DOOR



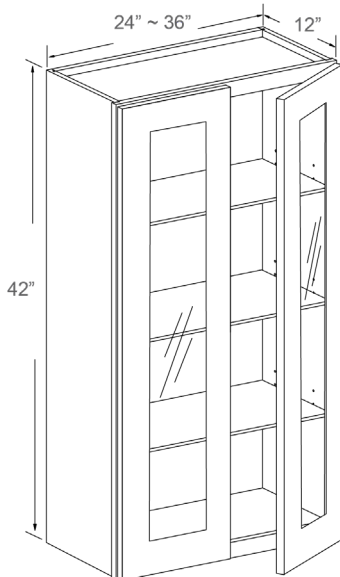
### Features

- 1 Glass Insert Door
- 3 Adjustable Wood Shelves
- Interior Is Unfinished

### General Info

Item Code	Dimension (WxHxD)
W0942GD&BOX	12 x 42 x 12 Inch
W1242GD&BOX	12 x 42 x 12 Inch
W1542GD&BOX	15 x 42 x 12 Inch
W1842GD&BOX	18 x 42 x 12 Inch

## WALL CABINET 42"H - GLASS INSERT DOOR



### Features

- 2 Glass Insert Doors
- 3 Adjustable Wood Shelves

### General Info

Item Code	Dimension (WxHxD)
W2442GD&BOX	24 x 42 x 12 Inch
W2742GD&BOX	27 x 42 x 12 Inch
W3042GD&BOX	30 x 42 x 12 Inch
W3342GD&BOX	33 x 42 x 12 Inch
W3642GD&BOX	36 x 42 x 12 Inch

*\*Matching Interior not included on stained Cabinets*

# REFRIGERATOR WALL CABINET 12"H &15"H

## Features

2 Doors

No Shelf

## General Info

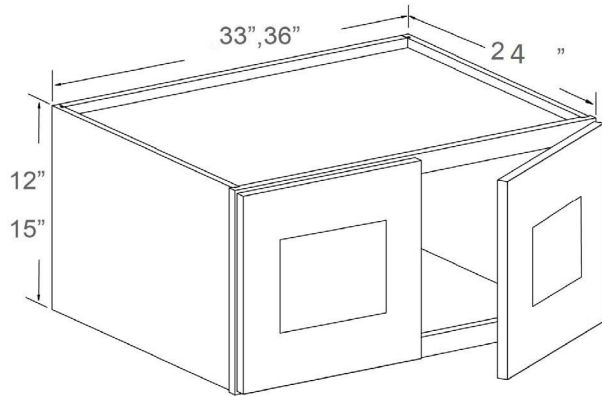
Item Code    Dimension (WxHxD)

W331224    33 x 12 x 24 Inch

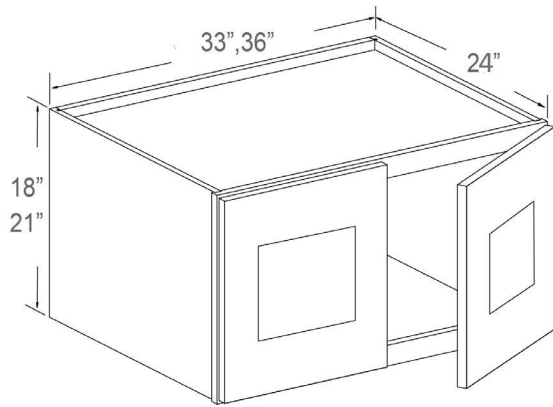
W361224    36 x 12 x 24 Inch

W331524    33 x 15 x 24 Inch

W361524    36 x 15 x 24 Inch



# REFRIGERATOR WALL CABINET 18"H & 21"H



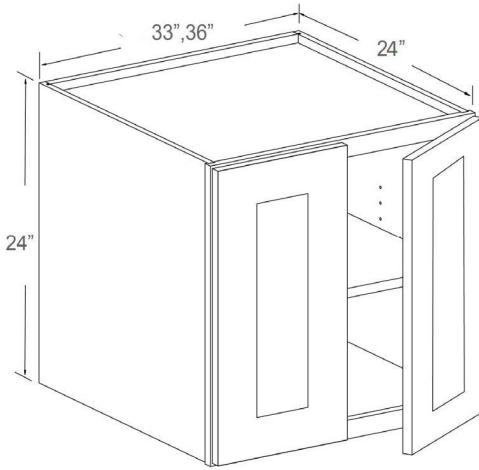
## Features

- 2 Doors
- No Shelf

## General Info

Item Code	Dimension (WxHxD)
W331824	33 x 18 x 24 Inch
W361824	36 x 18 x 24 Inch
W332124	33 x 21 x 24 Inch
W362124	36 x 21 x 24 Inch

# REFRIGERATOR WALL CABINET 24"H



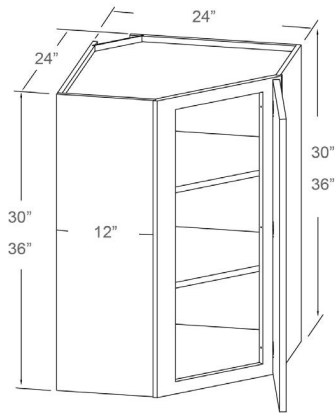
## Features

- 2 Doors
- 1 Adjustable Wood Shelf

## General Info

Item Code	Dimension (WxHxD)
W332424	33 x 24 x 24 Inch
W362424	36 x 24 x 24 Inch

## WALL DIAGONAL CORNER 30"H & 36"H



### Features

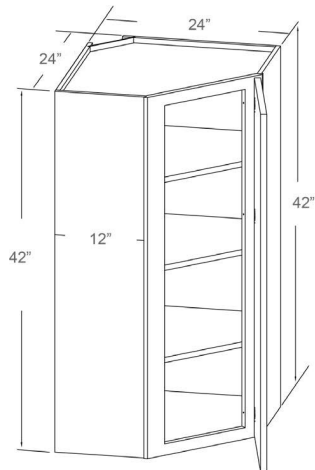
- 1 Door
- 2 Adjustable Wood Shelves

### General Info

Item Code	Dimension (WxHxD)
WDC2430	24 x 30 x 12 Inch
WDC2436	24 x 36 x 12 Inch

---

## WALL DIAGONAL CORNER 42"H



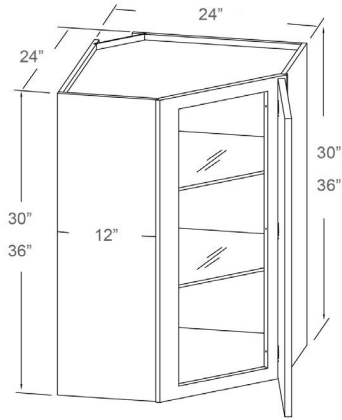
### Features

- 1 Door
- 3 Adjustable Wood Shelves

### General Info

Item Code	Dimension (WxHxD)
WDC2442	24 x 42 x 12 Inch

## WALL DIAGONAL CORNER 30"H & 36"H



### Features

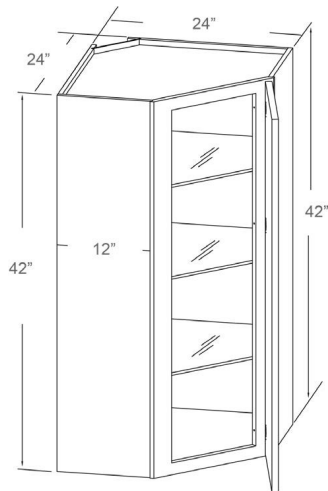
- 1 Glass Insert Door
- 2 Adjustable Wood Shelves
- Matching Color Interior

### General Info

Item Code	Dimension (WxHxD)
WDC2430GD&BOX	24 x 30 x 12 Inch
WDC2436GD&BOX	24 x 36 x 12 Inch

*\*Matching Interior not included on stained Cabinets*

## WALL DIAGONAL CORNER 42"H



### Features

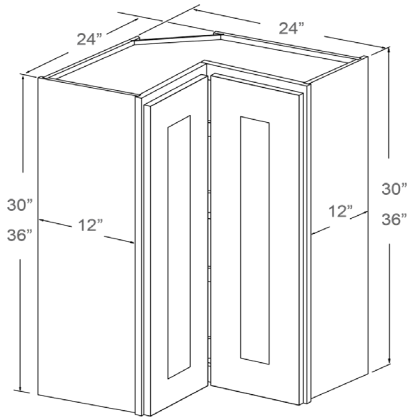
- 1 Glass Insert Door
- 3 Adjustable Wood Shelves
- Matching Color Interior

Item Code	Dimension (WxHxD)
WDC2442GD&BOX	24 x 42 x 12 Inch

*\*Matching Interior not included on stained Cabinets*



## SQUARE CORNER WALL CABINET 30"H & 36"H



### Features

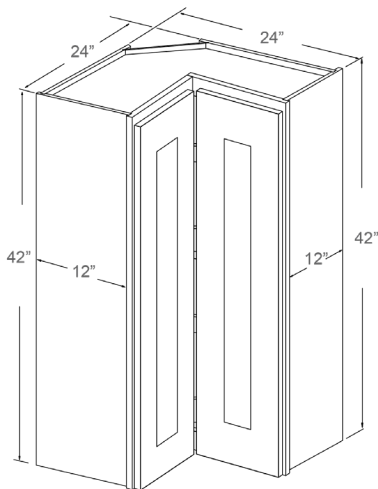
- 1 Bi-folding Door
- 2 Adjustable Wood Shelves

### General Info

Item Code	Dimension (WxHxD)
SCW2430	24 x 30 x 12 Inch
SCW2436	24 x 36 x 12 Inch

---

## SQUARE CORNER WALL CABINET 42"H



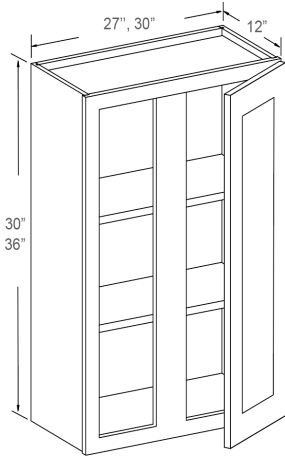
### Features

- 1 Bi-folding Door
- 3 Adjustable Wood Shelves

### General Info

Item Code	Dimension (WxHxD)	Weight
SCW2442	24 x 42 x 12 Inch	32.8 KG

## WALL BLIND CORNER 30"H & 36"H



### Features

- 1 Door
- 2 Adjustable Wood Shelves

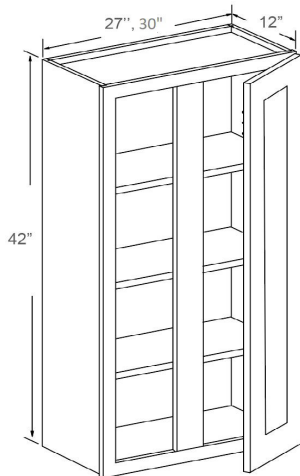
### General Info

Item Code	Dimension (WxHxD)
WBC2730	27 x 30 x 12 Inch
WBC3030	30 x 30 x 12 Inch
WBC2736	27 x 36 x 12 Inch
WBC3036	30 x 36 x 12 Inch

### Description

Door width from 12" W to 15" W. Fillers are recommended for inside return but not included.

## WALL BLIND CORNER 42"H



### Features

- 1 Door
- 3 Adjustable Wood Shelves

### General Info

Item Code	Dimension (WxHxD)
WBC2742	27 x 42 x 12 Inch
WBC3042	30 x 42 x 12 Inch

### Description

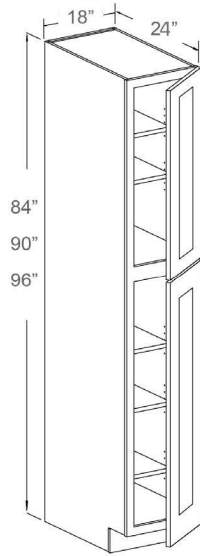
Door width from 12" W to 15" W. Fillers are recommended for inside return but not included.

---

# || PANTRY & OVEN CABINETS



## PANTRY CABINET 84"H & 90"H & 96"H - 24"D



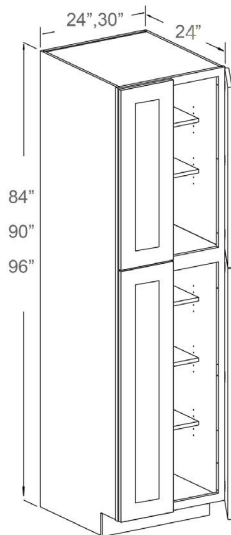
### Features

84" + 90" H: Top - 1 Shelf, Bottom - 3 Shelves  
2 Doors  
2 Adjustable Top Shelves - 96"H  
3 Adjustable Bottom Shelves - 96"H

### General Info

Item Code	Dimension (WxHxD)
TP188424	18 x 84 x 24Inch
TP189024	18 x 90 x 24 Inch
TP189624	18x 96 x 24 Inch

## PANTRY CABINET 84"H & 90"H & 96"H - 24"D



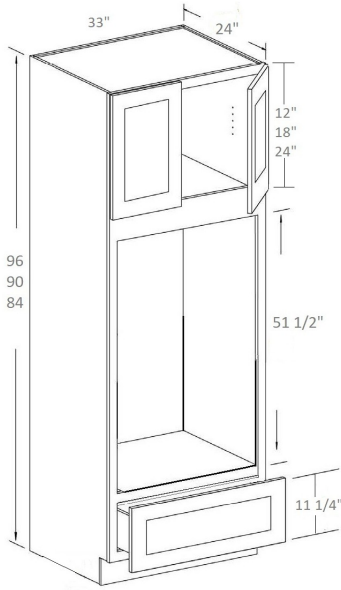
### Features

84" + 90" H: Top - 1 Shelf, Bottom - 3 Shelves  
2 Doors  
2 Adjustable Top Shelves - 96"H  
3 Adjustable Bottom Shelves - 96"H

### General Info

Item Code	Dimension (WxHxD)
TP248424	24 x 84 x 24 Inch
TP308424	30 x 84 x 24 Inch
TP249024	24 x 90 x 24 Inch
TP309024	30 x 90 x 24 Inch
TP249624	24 x 96 x 24 Inch
TP309624	30 x 96 x 24 Inch

# TALL OVEN CABINET 84"H & 90"H & 96"H

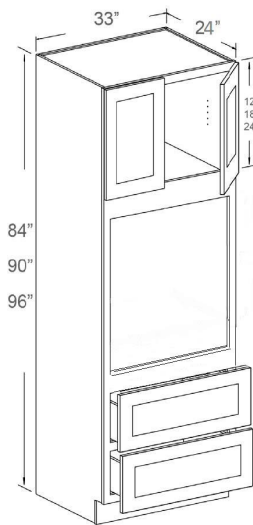


### Features

- 2 Doors
- 1 Drawer

### General Info

Item Code	Dimension (WxHxD)
OC338424	33 x 84 x 24 Inch
OC339024	33 x 90 x 24 Inch
OC339624	33 x 96 x 24 Inch

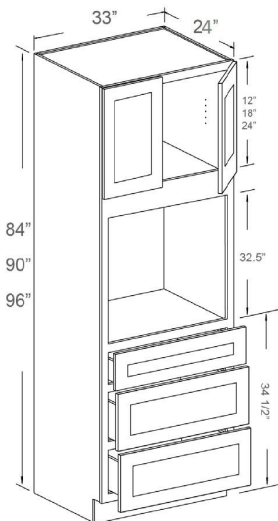


### Features

- 2 Doors
- 2 Drawers

### General Info

Item Code	Dimension (WxHxD)
OC338424 (2D)	33 x 84 x 24 Inch
OC339024 (2D)	33 x 90 x 24 Inch
OC339624 (2D)	33 x 96 x 24 Inch



### Features

- 2 Doors
- 3 Drawers
- Opening 32"H-50"H X 30" W

### General Info

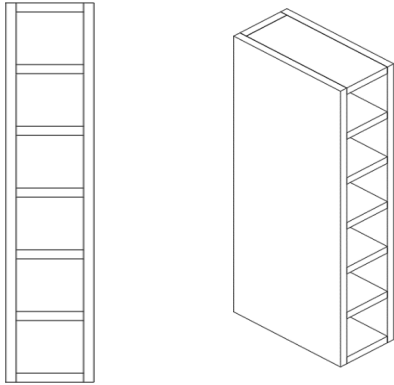
Item Code	Dimension (WxHxD)
OCS338424	33 x 84 x 24 Inch
OCS339024	33 x 90 x 24 Inch
OCS339624	33 x 96 x 24 Inch

---

## STORAGE & ORGANIZATION



## WALL CROSS WINE RACK



### Features

6 Compartments

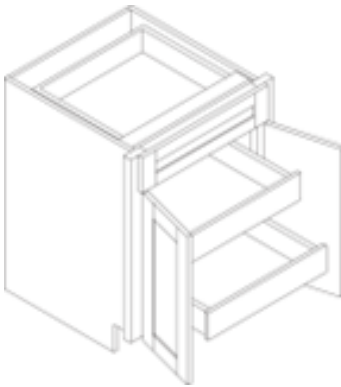
Matching Color Finish

### General Info

Item Code    Dimension (WxHxD)

WCW0630        6 x 30 x 12 Inch

## Roll Out Tray

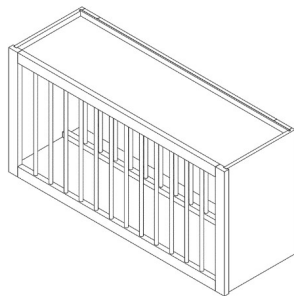


### Features

Solid Wood

Item Code        Dimension (WxHxD)

ROT - 15	15 x 4-1/4 x 21 Inch
ROT - 18	18 x 4-1/4 x 21 Inch
ROT - 21	21 x 4-1/4 x 21 Inch
ROT - 24	24 x 4-1/4 x 21 Inch
ROT - 27	27 x 4-1/4 x 21 Inch
ROT - 30	30 x 4-1/4 x 21 Inch
ROT - 33	33 x 4-1/4 x 21 Inch
ROT - 36	36 x 4-1/4 x 21 Inch

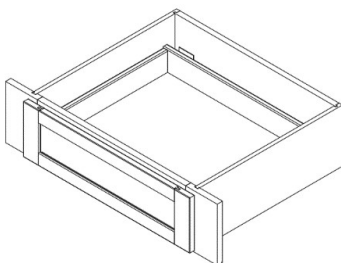


### Features

Solid Wood

Item Code        Dimension (WxHxD)

WPR3618        36 x 18x 12 Inch



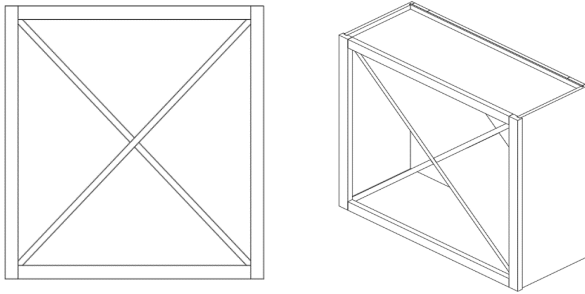
Solid Wood

Item Code        Dimension (WxHxD)

KD24              24 x 7 x 21 Inch

KD30              30 x 7 x 21 Inch

## WALL CROSS WINE RACK



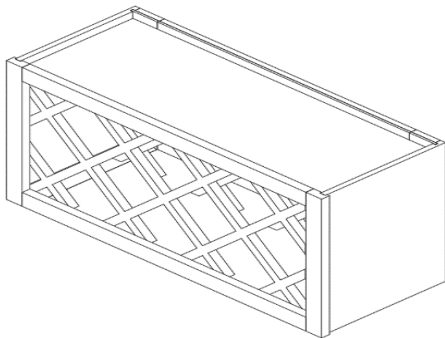
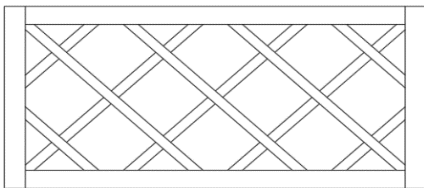
### Features

- 4 Compartments
- Matching Color Finish

### General Info

Item Code	Dimension (WxHxD)
WCX1818	18 x 18 x 12 Inch
WCX3030	30 x 30 x 12 Inch

## LATTICE WINE RACK



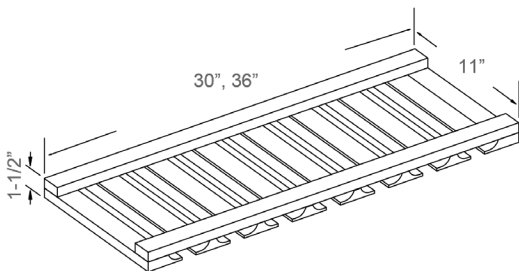
### Features

- 18 Compartments
- Matching Color Finish

### General Info

Item Code	Dimension (WxHxD)
WR3015	30 x 15 x 12 Inch
WR3615	36 x 15 x 12 Inch

## STEMWARE RACK



### Features

- 7 Rail Openings
- Matching Color Finish

*\*8 Rails for 36" W*

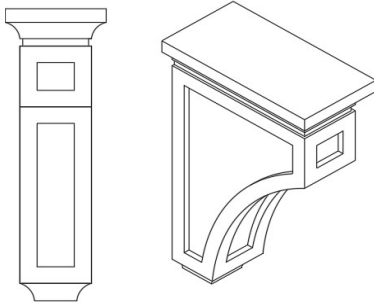
### General Info

Item Code	Dimension (WxHxD)
SGH30	30 x 11 1/5 x 10 1/5 Inch
SGH36	36 x 11 1/5 x 10 1/5 Inch



# VALANCE, CORBEL & POSTS

## CORBEL



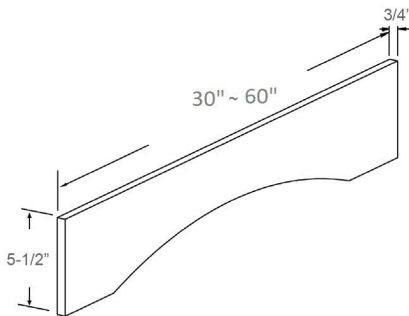
### Features

Solid Wood  
Finished to Matching Color

### General Info

Item Code	Dimension (WxHxD)
CORT	5-1/4 x 12-1/2 x 4-1/2 Inch

## ARCH VALANCE



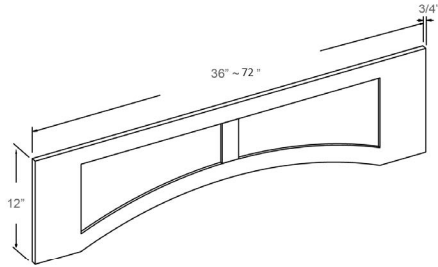
### Features

3/4" Solid Wood  
Matching Color  
Finished on Edges

### General Info

Item Code	Dimension (WxHxD)
V30B	30 x 5-1/2 x 3/4 Inch
V33B	33 x 5-1/2 x 3/4 Inch
V36B	36 x 5-1/2 x 3/4 Inch
V42B	42 x 5-1/2 x 3/4 Inch
V48B	48 x 5-1/2 x 3/4 Inch
V54B	54 x 5-1/2 x 3/4 Inch
V60B	60 x 5-1/2 x 3/4 Inch

## RAISED PANEL VALANCE



### Features

3/4" Solid Wood

Matching Cabinet Color and Door Style

Finished on Edges

### General Info

Item Code    Dimension (WxHxD)

RPV36A      36 x 12 x 3/4 Inch

RPV42A      42 x 12 x 3/4 Inch

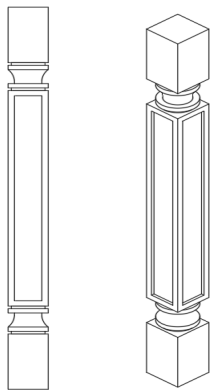
RPV48A      48 x 12 x 3/4 Inch

RPV54A      54 x 12 x 3/4 Inch

RPV60A      60 x 12 x 3/4 Inch

RPV72A      72 x 12 x 3/4 Inch

## STANDARD POST



### Features

Solid Wood

Finished to Matching Color

### General Info

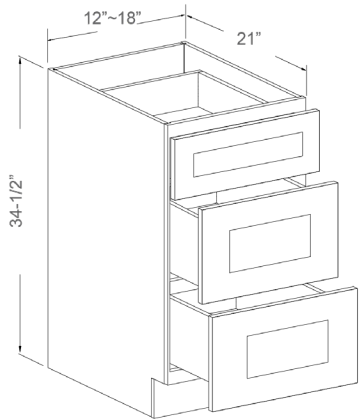
Item Code    Dimension (WxHxD)

SP34.5      3-1/2 x 34 1/2 x 3-1/2 Inch

# BATHROOM VANITIES



## VANITY DRAWER CABINET



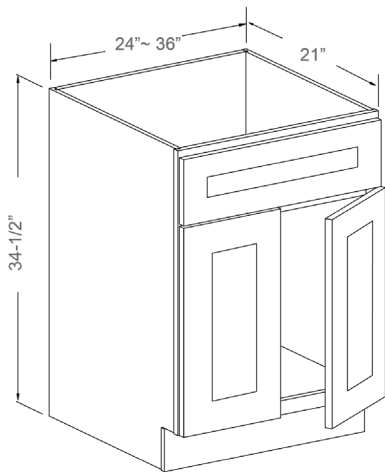
### Features

- 1 Small Drawer
- 2 Large Drawers

### General Info

Item Code	Dimension (WxHxD)
VDB12	12 x 34-1/2 x 21 Inch
VDB15	15 x 34-1/2 x 21 Inch
VDB18	18 x 34-1/2 x 21 Inch

## VANITY SINK CABINET

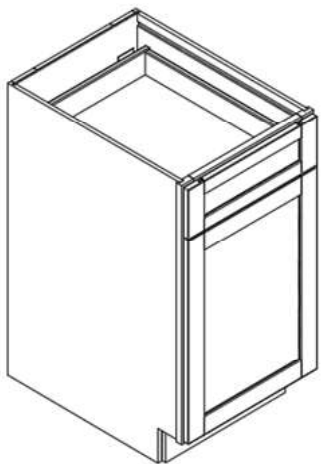


### Features

- 1 Fixed Drawer
- 2 Doors
- No Shelf

### General Info

Item Code	Dimension (WxHxD)
VSB24	24 x 34-1/2 x 21 Inch
VSB27	27 x 34-1/2 x 21 Inch
VSB30	30 x 34-1/2 x 21 Inch
VSB33	33 x 34-1/2 x 21 Inch
VSB36	36 x 34-1/2 x 21 Inch



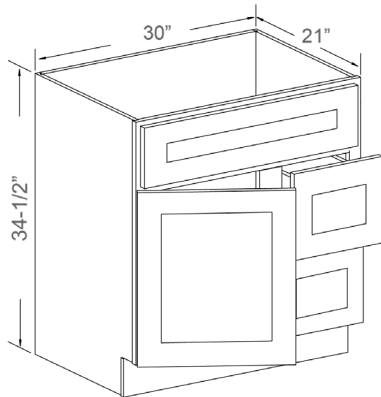
### Features

- 1 Fixed Drawer
- 1 Door
- No Shelf

### General Info

Item Code	Dimension (WxHxD)
VB12	12 x 34-1/2 x 21 Inch
VB15	15 x 34-1/2 x 21 Inch
VB18	18 x 34-1/2 x 21 Inch

## VANITY SINK CABINET WITH DRAWERS



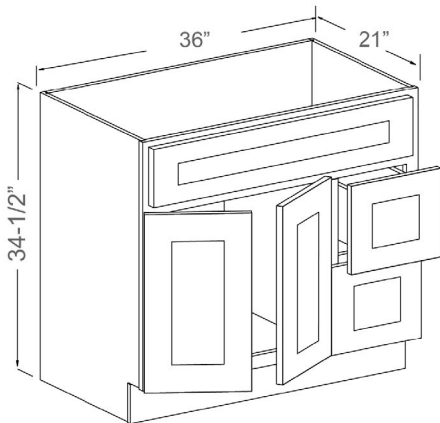
### Features

- 2 Drawers on Right or Left
- 1 Door on Right or Left
- No Shelf

### General Info

Item Code Dimension (WxHxD)  
 VSBD30(L/R) 30 x 34-1/2 x 21 Inch

## VANITY SINK CABINET WITH DRAWERS

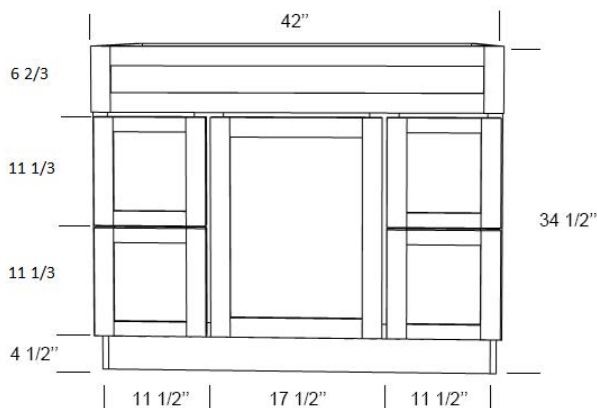


### Features

- 2 Drawers on Right or Left
- 2 Doors on Right or Left
- No Shelf

### General Info

Item Code Dimension (WxHxD)  
 VSBD36(L/R) 36 x 34-1/2 x 21 Inch



### Features

- 2 Drawers on Both Sides
- Single Door in center
- No Shelf

### Item Code Dimension (WxHxD)

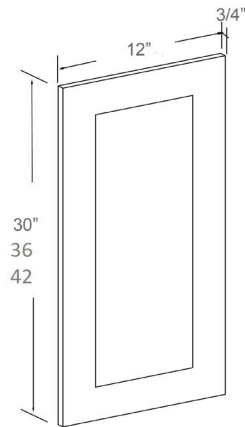
VSBD42 42 x 34-1/2 x 21 Inch

VSBD48 48 x 34-1/2 x 21 Inch

# DUMMY DOORS, DRAWERS & REPLACEMENTS



## DECORATIVE DOOR FOR WALL CABINET



### Features

Decorative Door Panel

### General Info

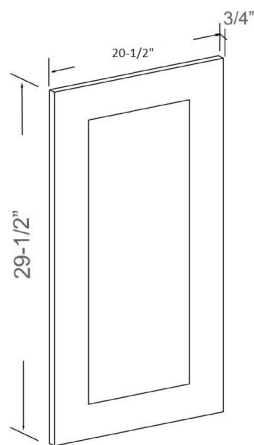
Item Code    Dimension (WxHxD)

WDD1230    12 x 30 x 3/4 Inch

WDD1236    12 x 36 x 3/4 Inch

WDD1242    12 x 42 x 3/4 Inch

## DECORATIVE DOOR FOR BASE CABINET



### Features

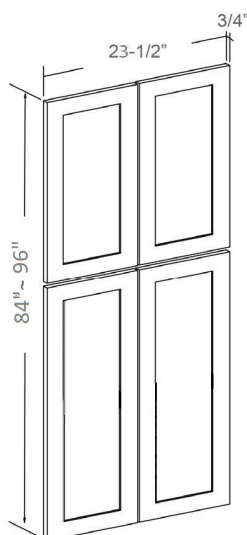
Decorative Door Panel

### General Info

Item Code    Dimension (WxHxD)

WDD2130    21-1/2 x 29-1/2 x 3/4 Inch

## DECORATIVE DOOR FOR PANTRY CABINET SIDE



### Features

Decorative Door Panel

2 Bottom Doors 49.5" H x 11-3/4" W

### General Info

Item Code    Dimension (WxHxD)

T84    23-1/2 x 83 x 1/2 Inch

T90    23-1/2 x 89 x 1/2 Inch

T96    23-1/2 x 95 x 1/2 Inch

### Description

FOR 84"H: 2 Top Doors 29.5" H x 11-1/2"W,

FOR 90"H: 2 Top Doors 35.5" H x 11-1/2"W,

FOR 96"H: 2 Top Doors 41.5" H x 11-1/2" W.

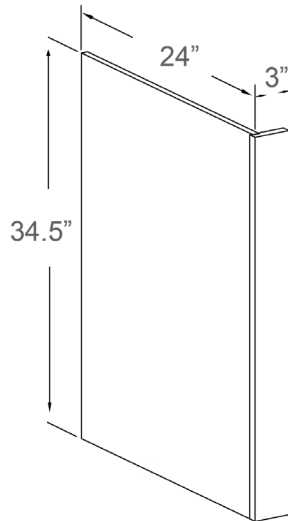
---

# | PANELS, FILLERS & TOUCH UP KIT





# DISHWASHER PANEL WITH RETURN FILLER



### Features

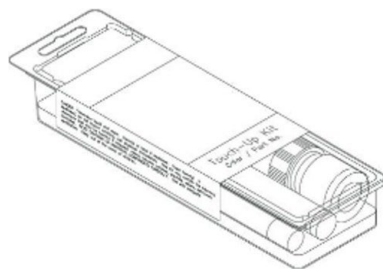
- 3" Return Filler
- 5/8" Thick Panel

### General Info

Item Code	Dimension (WxHxD)
BEP3	3 x 34-1/2 x 24 Inch

### Description

Matching Color Finish on Both Side and Filler.



### Features

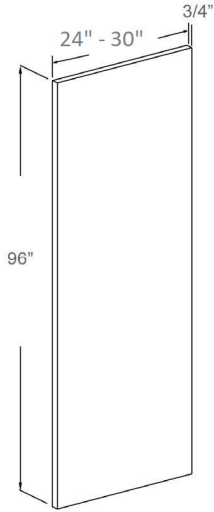
- Paint Pen & Cabinet Wood Filler Included

Touch Up Kit

### General Info

Item Code: TUK

## REFRIGERATOR PANEL

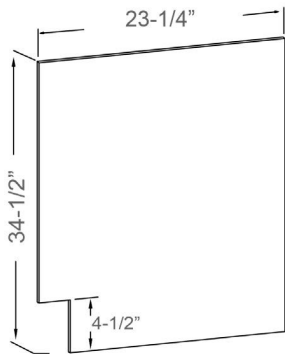


- 3/4" Thick Panel
- 1 Side-Edge Matching Color
- 2 Sides Surfaces Matching Color

### General Info

Item Code	Dimension (WxHxD)
REP9624(3/4)	3/4 x 96 x 24 Inch
REP9630(3/4)	3/4 x 96 x 30 Inch
REP1.596	
REP396	

## FINISHED SKIN PANEL FOR BASE CABINETS



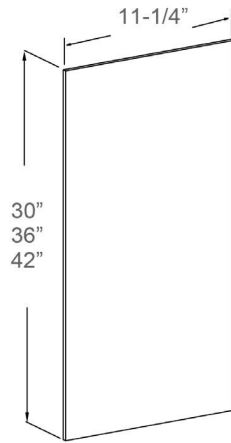
### Features

- 1/4" Thick Panel

### General Info

Item Code	Dimension (WxHxD)
BS24	23-1/4 x 34-1/2 x 1/4 Inch

## FINISHED SKIN PANEL FOR WALL CABINETS



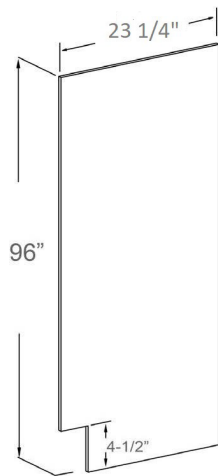
### Features

1/4" Thick Panel

### General Info

Item Code	Dimension (WxHxD)
WS1230	11-1/4 x 30 x 1/5 Inch
WS1236	11-1/4 x 36 x 1/5 Inch
WS1242	11-1/4 x 42 x 1/5 Inch

## FINISHED SKIN PANEL FOR PANTRY CABINETS



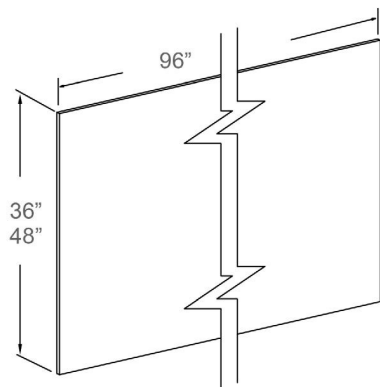
### Features

1/4" Thick Panel

### General Info

Item Code	Dimension (WxHxD)
TS2496	23-1/4 x 96 x 1/4 Inch

## FINISHED SKIN PANEL



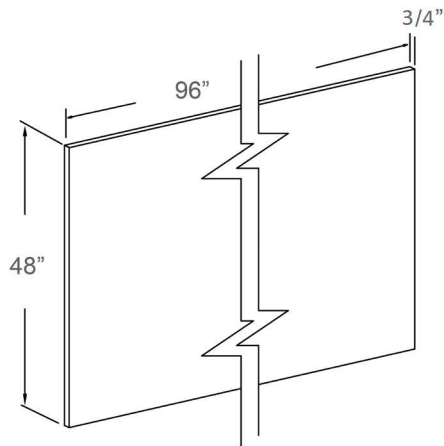
### Features

1/4" Thick Panel

### General Info

Item Code	Dimension (WxHxD)
BP3696.25	96 x 36 x 1/4 Inch 96

## FINISHED PANEL BOARD



### Features

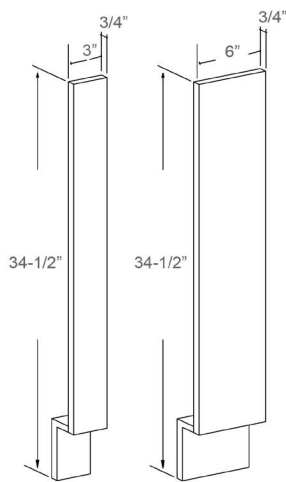
3/4" Thick Panel

1 Side Surface Finish

### General Info

Item Code	Dimension (WxHxD)
FP4896.75	96 x 48 x 3/4 Inch

## BASE FILLER



### Features

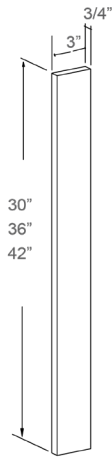
3/4" Solid Wood

Finished on One Face and Two Long Edges

### General Info

Item Code	Dimension (WxHxD)
BF3	3 x 34-1/2 x 3/4 Inch
BF6	6 x 34-1/2 x 3/4 Inch

## WALL FILLER



### Features

3/4" Solid Wood

Finished on One Face and Two Long Edges

### General Info

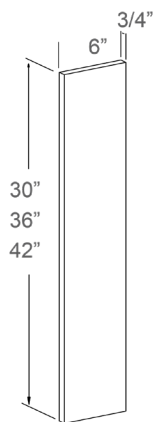
Item Code    Dimension (WxHxD)

WF330        3 x 30 x 3/4 Inch

WF336        3 x 36 x 3/4 Inch

WF342        3 x 42 x 3/4 Inch

## WALL FILLER



### Features

3/4" Solid Wood

Finished on One Face and Two Long Edges

### General Info

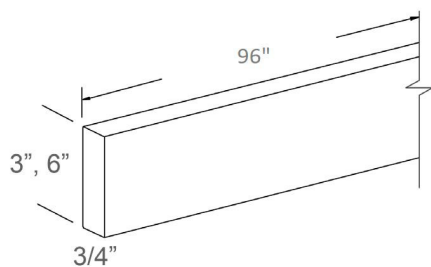
Item Code    Dimension (WxHxD)

WF630        6 x 30 x 3/4 Inch

WF636        6 x 36 x 3/4 Inch

WF642        6 x 42 x 3/4 Inch

## TALL FILLER



### Features

3/4" Solid Wood

Finished on One Face and Two Long Edges

### General Info

Item Code    Dimension  
(WxHxD)

TF1.596      1-1/2 x 96 x 3/4 Inch

TF3            3 x 96 x 3/4 Inch

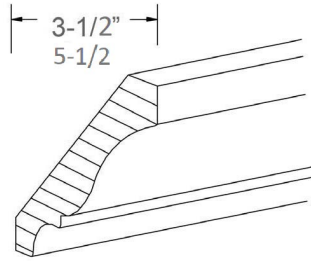
TF6            6 x 96 x 3/4 Inch

---

# MOLDINGS



## CROWN MOLDING



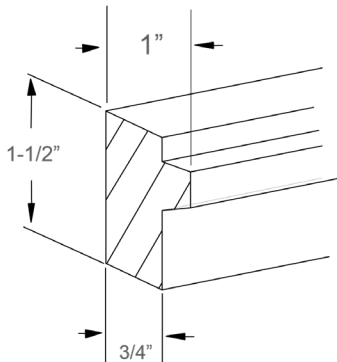
**Features** Solid wood

Matching Color

**General Info**

Item Code	Dimension (WxHxD)
CM 3 1/2	96x 3-1/2 x 3/4 Inch
CM 5	96x 5 x 3/4 Inch

## SIMPLICITY LIGHT RAIL MOLDING



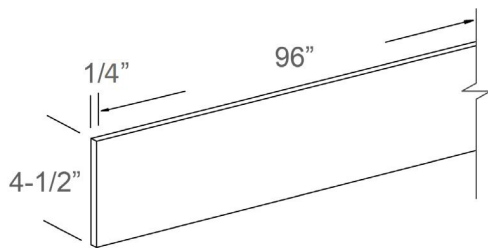
**Features**

Solid Wood  
Matching Color

**General Info**

Item Code	Dimension (WxHxD)
LBMF	96x 1-1/2 x 1 Inch

## TOE KICK



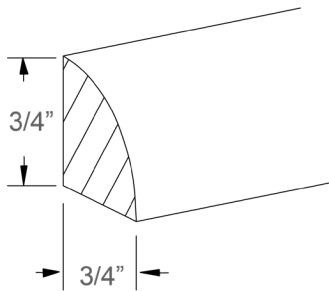
**Features**

1/5" Thick Panel  
Matching Color

**General Info**

Item Code	Dimension (WxHxD)
TK96	96 x 4-1/2 x 1/4 Inch

## QUARTER ROUND MOLDING



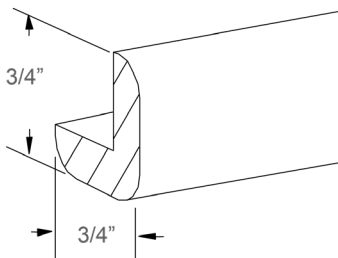
### Features

Solid wood  
Matching Color

### General Info

Item Code	Dimension (WxHxD)
QR	96 x 3/4 x 3/4 Inch

## OUTSIDE CORNER MOLDING



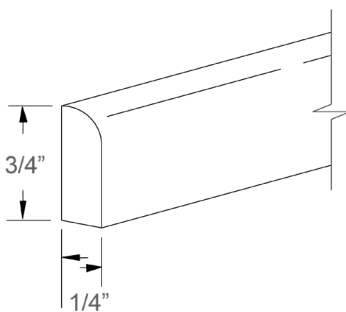
### Features

Solid Wood  
Matching Color

### General Info

Item Code	Dimension (WxHxD)
OCL	96 x 3/4 x 3/4 Inch

## SCRIBE MOLDING



### Features

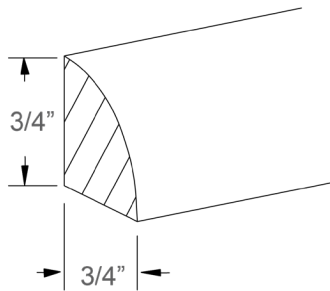
Solid Wood  
Matching Color

### General Info

Item Code	Dimension (WxHxD)
SC	96 x 3/4 x 1/4 Inch



## QUARTER ROUND MOLDING



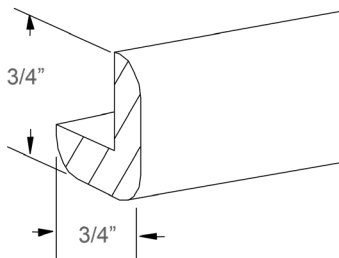
### Features

Solid wood  
Matching Color

### General Info

Item Code	Dimension (WxHxD)
QR	96 x 3/4 x 3/4 Inch

## OUTSIDE CORNER MOLDING



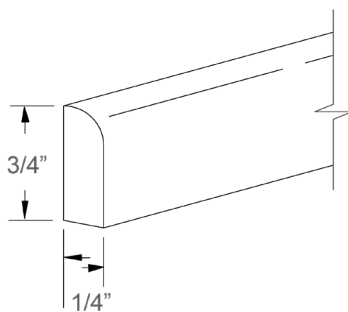
### Features

Solid Wood  
Matching Color

### General Info

Item Code	Dimension (WxHxD)
OCL	96 x 3/4 x 3/4 Inch

## SCRIBE MOLDING



### Features

Solid Wood  
Matching Color

### General Info

Item Code	Dimension (WxHxD)
SC	96 x 3/4 x 1/4 Inch

# Frameless Cabinets

1. **Only** available in a slab door style
2. 3/4" plywood box with a taupe melamine interior and exterior finish
3. Durable thermo-strutted surface coating
4. Soft-close concealed hinges
5. Dovetail drawer boxes with a slab drawer front and full extension under-mount soft-close slides
6. Adjustable 3/4" plywood shelves with a taupe melamine finish on both sides



## High Gloss Slab Doors

1. Alvic Luxe Blanco Slab
2. Alvic Luxe Azul Indigo Slab
3. Alvic Luxe Cashmere Slab

## Textured Slab Doors

1. Alvic Synchron Roble Muratti 01 Slab
2. Alvic Synchron Ida 02 Slab
3. Egger Auburn Carini Walnut Slab

**Please visit our website for images of our finishes or stop by our showroom.**

# Frameless - Sample Doors & Modifications

Sample Doors	SKU
1 Set (All 6 Colors)	Frameless Sample Kit

Modifications	Description
Wall Cabinets: 12" - 24" H	Integrated Finished End: Left or Right Integrated Finished End: Both
30" H	Integrated Finished End: Left or Right Integrated Finished End: Both
36" H	Integrated Finished End: Left or Right Integrated Finished End: Both
42" H	Integrated Finished End: Left or Right Integrated Finished End: Both
Base Cabinets	Integrated Finished End: Left or Right Integrated Finished End: Both
Vanity Cabinets	Integrated Finished End: Left or Right Integrated Finished End: Both
Floating Vanity Cabinets	Integrated Finished End: Left or Right Integrated Finished End: Both
Tall Cabinets	Integrated Finished End: Left or Right Integrated Finished End: Both
Reduce Depth	Reduce Cabinet Depth

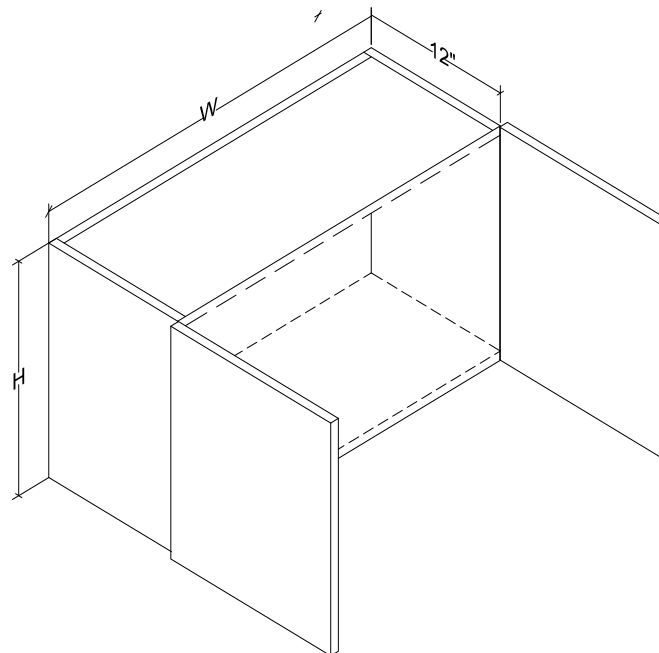
# Frameless - Wall Cabinets

12" Double Door	SKU
24" W x 12" H	Frameless W2412
30" W x 12" H	Frameless W3012
33" W x 12" H	Frameless W3312
36" W x 12" H	Frameless W3612

15" Double Door	SKU
24" W x 15" H	Frameless W2415
30" W x 15" H	Frameless W3015
33" W x 15" H	Frameless W3315
36" W x 15" H	Frameless W3615

18" Double Door	SKU
24" W x 18" H	Frameless W2418
30" W x 18" H	Frameless W3018
33" W x 18" H	Frameless W3318
36" W x 18" H	Frameless W3618

21" Double Door	SKU
24" W x 21" H	Frameless W2421



## WALL CABINETS

# Frameless - Wall Cabinets

## 24" Double Door

## SKU

24" W x 24" H

Frameless W2424

30" W x 24" H

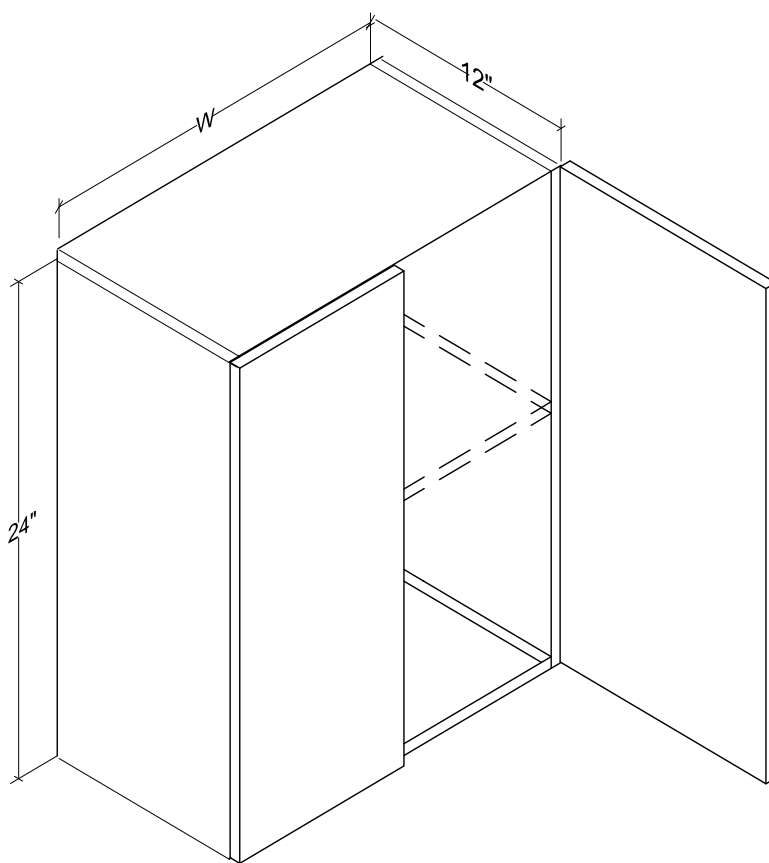
Frameless W3024

33" W x 24" H

Frameless W3324

36" W x 24" H

Frameless W3624

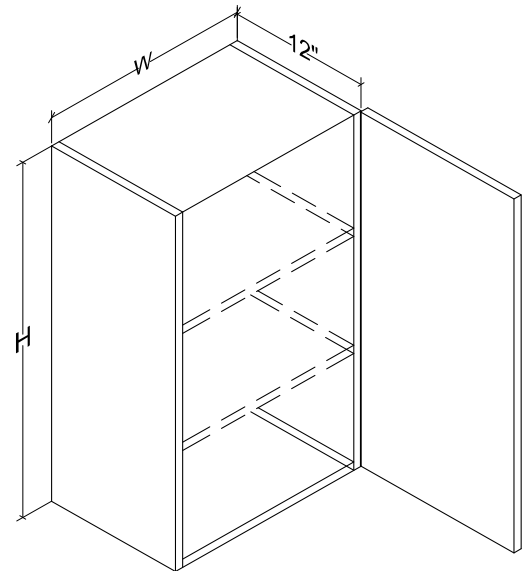


# Frameless - Wall Cabinets

## 30" Tall Door

## SKU

9" W x 30" H	Frameless W0930
12" W x 30" H	Frameless W1230
15" W x 30" H	Frameless W1530
18" W x 30" H	Frameless W1830
21" W x 30" H	Frameless W2130
24" W x 30" H	Frameless W2430
27" W x 30" H	Frameless W2730
30" W x 30" H	Frameless W3030
33" W x 30" H	Frameless W3330
36" W x 30" H	Frameless W3630

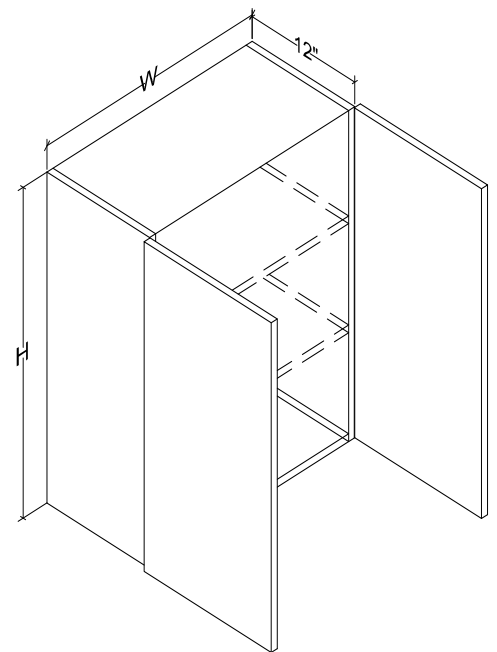


**Single Door = 21" W and below**

## 36" Tall Door

## SKU

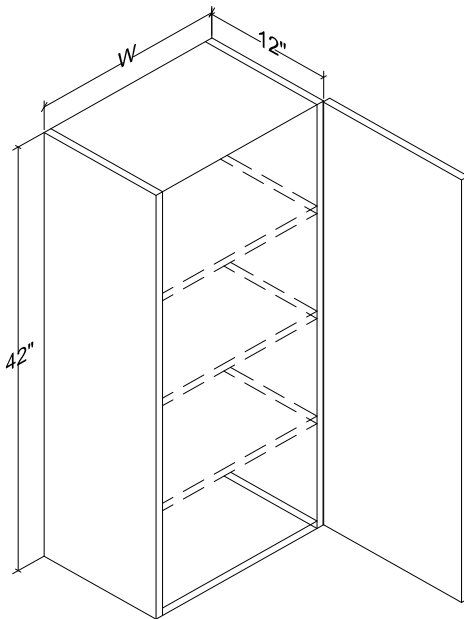
9" W x 36" H	Frameless W0936
12" W x 36" H	Frameless W1236
15" W x 36" H	Frameless W1536
18" W x 36" H	Frameless W1836
21" W x 36" H	Frameless W2136
24" W x 36" H	Frameless W2436
27" W x 36" H	Frameless W2736
30" W x 36" H	Frameless W3036
33" W x 36" H	Frameless W3336
36" W x 36" H	Frameless W3636



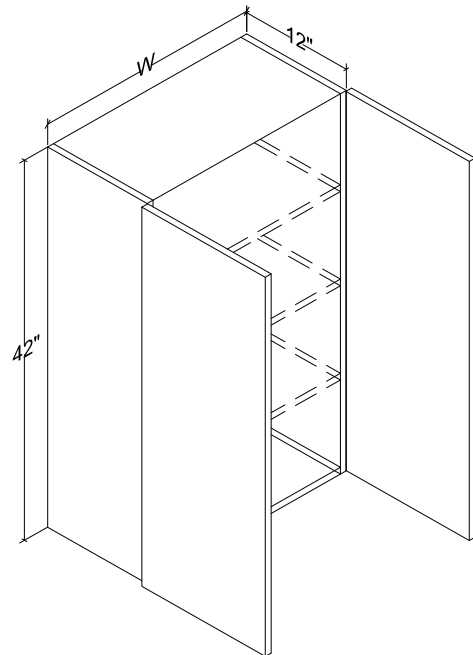
**Double Door = 24" W and above**

# Frameless - Wall Cabinets

42" Tall Door	SKU
9" W x 42" H	Frameless W0942
12" W x 42" H	Frameless W1242
15" W x 42" H	Frameless W1542
18" W x 42" H	Frameless W1842
21" W x 42" H	Frameless W2142
24" W x 42" H	Frameless W2442
27" W x 42" H	Frameless W2742
30" W x 42" H	Frameless W3042
33" W x 42" H	Frameless W3342
36" W x 42" H	Frameless W3642



**Single Door = 21" W and below**

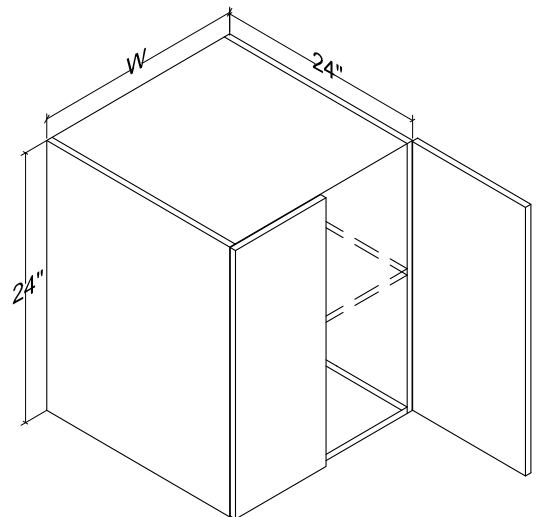
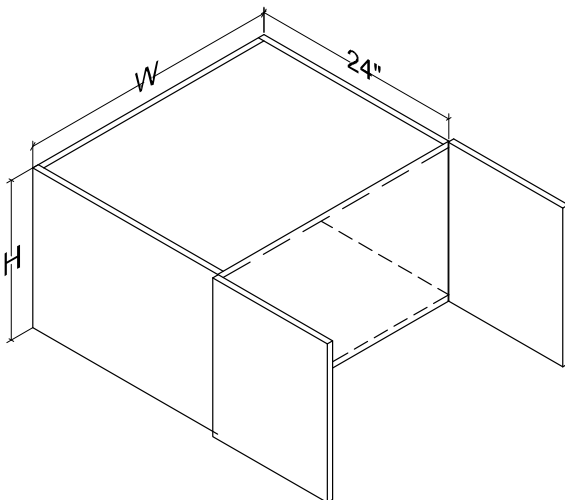


**Double Door = 24" W and above**

# Frameless - Refrigerator Wall Cabinets

**Refrigerator Wall**
**SKU**

24" W x 12" H x 24" D	Frameless W241224
30" W x 12" H x 24" D	Frameless W301224
33" W x 12" H x 24" D	Frameless W331224
36" W x 12" H x 24" D	Frameless W361224
24" W x 15" H x 24" D	Frameless W241524
30" W x 15" H x 24" D	Frameless W301524
33" W x 15" H x 24" D	Frameless W331524
36" W x 15" H x 24" D	Frameless W361524
24" W x 18" H x 24" D	Frameless W241824
30" W x 18" H x 24" D	Frameless W301824
33" W x 18" H x 24" D	Frameless W331824
36" W x 18" H x 24" D	Frameless W361824
24" W x 21" H x 24" D	Frameless W242124
30" W x 21" H x 24" D	Frameless W302124
33" W x 21" H x 24" D	Frameless W332124
36" W x 21" H x 24" D	Frameless W362124
24" W x 24" H x 24" D	Frameless W242424
30" W x 24" H x 24" D	Frameless W302424
33" W x 24" H x 24" D	Frameless W332424
36" W x 24" H x 24" D	Frameless W362424





# Frameless - Wall Corner Cabinets

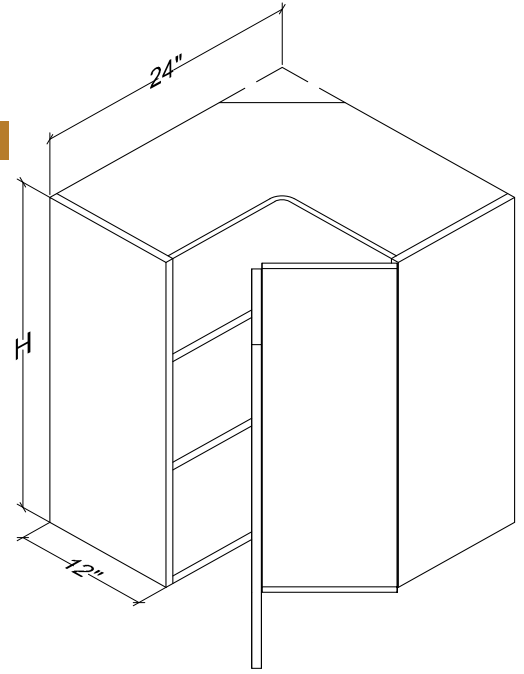
30" H = 2 shelves

36" H = 2 shelves

42" H = 3 shelves

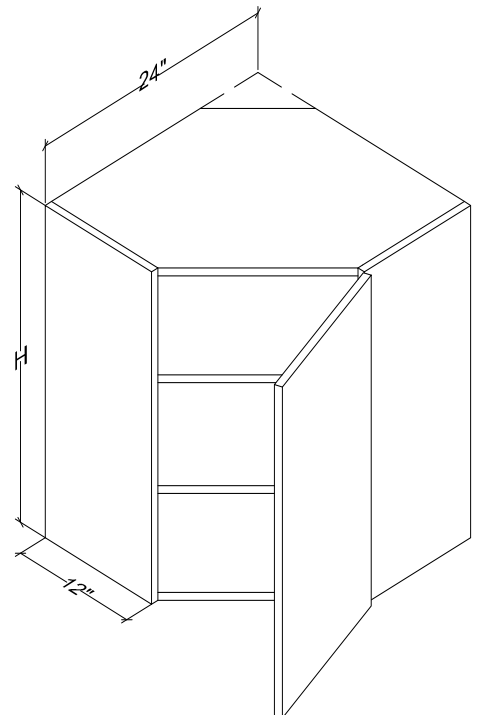
Pie	SKU
-----	-----

24" W x 30" H	Frameless WEZR2430
24" W x 36" H	Frameless WEZR2436
24" W x 42" H	Frameless WEZR2442



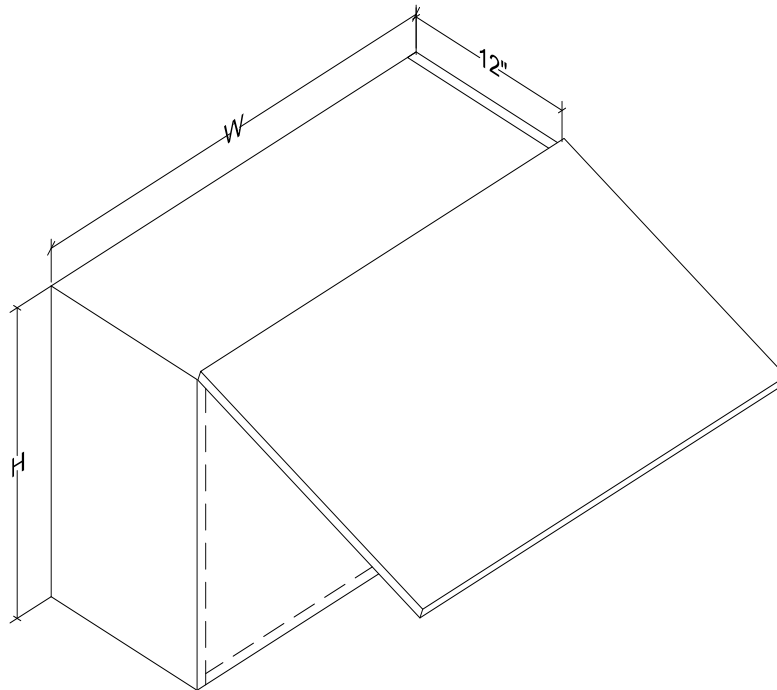
Diagonal	SKU
----------	-----

24" W x 30" H	Frameless WDC2430
24" W x 36" H	Frameless WDC2436
24" W x 42" H	Frameless WDC2442



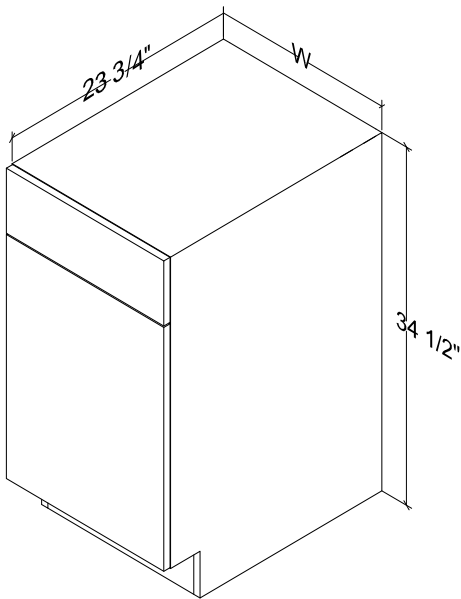
# Frameless - Wall Lift Up Cabinets

Wall Lift Up	SKU
30" W x 12" H	Frameless W3012UP
30" W x 15" H	Frameless W3015UP
30" W x 18" H	Frameless W3018UP
33" W x 12" H	Frameless W3312UP
33" W x 15" H	Frameless W3315UP
33" W x 18" H	Frameless W3318UP
36" W x 12" H	Frameless W3612UP
36" W x 15" H	Frameless W3615UP
36" W x 18" H	Frameless W3618UP

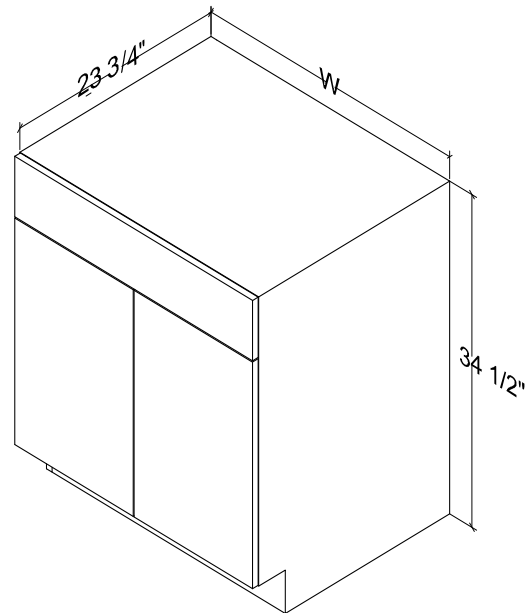


# Frameless - Base Cabinets

Base	SKU
12" W	Frameless B12
15" W	Frameless B15
18" W	Frameless B18
21" W	Frameless B21
24" W	Frameless B24
27" W	Frameless B27
30" W	Frameless B30
33" W	Frameless B33
36" W	Frameless B36



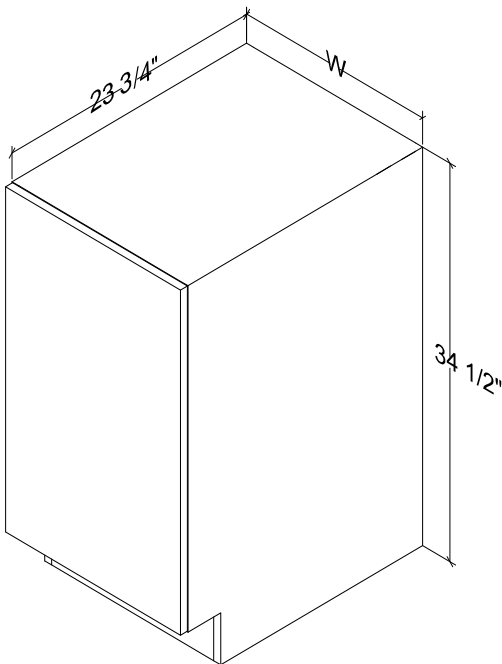
**Single Door = 21" W and below**



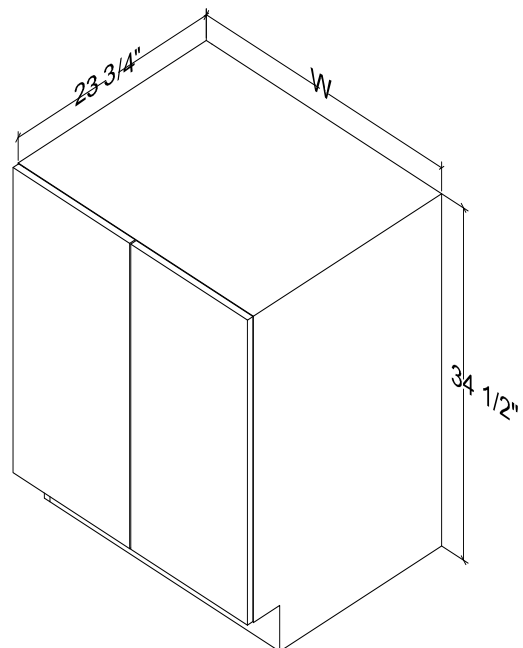
**Double Door = 24" W and above**

# Frameless - Base Cabinets

Full Height	SKU
9" W	Frameless BFH09
12" W	Frameless BFH12
15" W	Frameless BFH15
18" W	Frameless BFH18
21" W	Frameless BFH21
24" W	Frameless BFH24
27" W	Frameless BFH27
30" W	Frameless BFH30
33" W	Frameless BFH33
36" W	Frameless BFH36



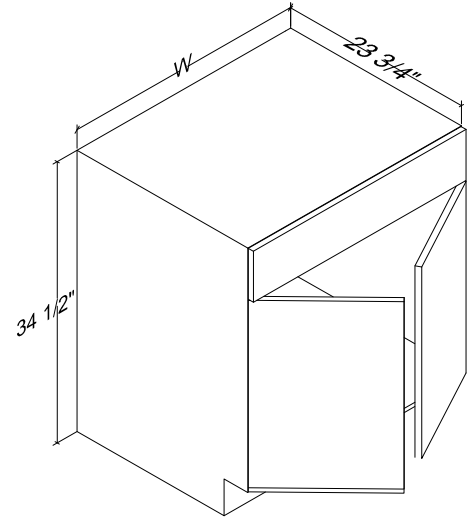
**Single Door = 21" W and below**



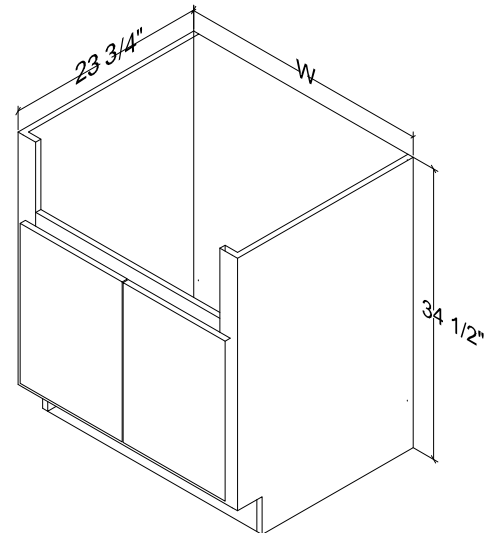
**Double Door = 24" W and above**

# Frameless - Sink Base Cabinets

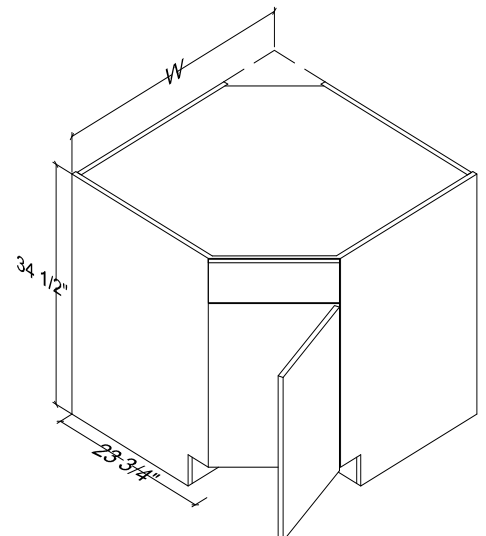
Sink Base	SKU
24" W	Frameless SB24
27" W	Frameless SB27
30" W	Frameless SB30
33" W	Frameless SB33
36" W	Frameless SB36



Farm Sink	SKU
36" W	Frameless FS36



Corner Sink	SKU
33" W	Frameless CSB33
36" W	Frameless CSB36

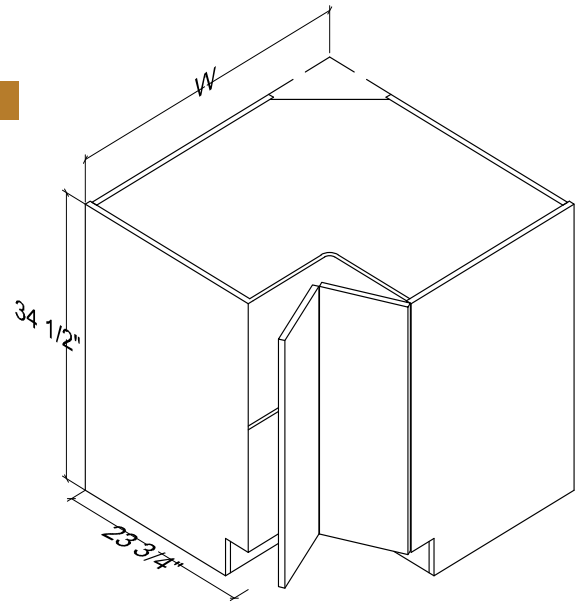


# Frameless - Base Cabinets

Lazy Susan	SKU
------------	-----

33" W	Frameless LSB33
-------	-----------------

36" W	Frameless LSB36
-------	-----------------

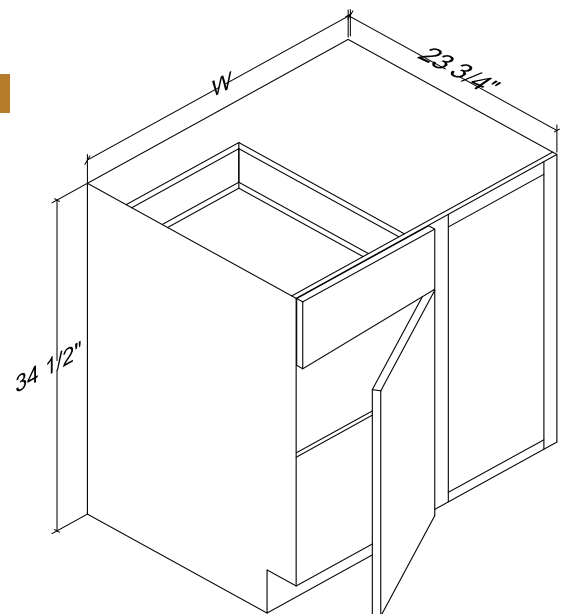


Blind	SKU
-------	-----

42" W	Frameless BLB42
-------	-----------------

45" W	Frameless BLB45
-------	-----------------

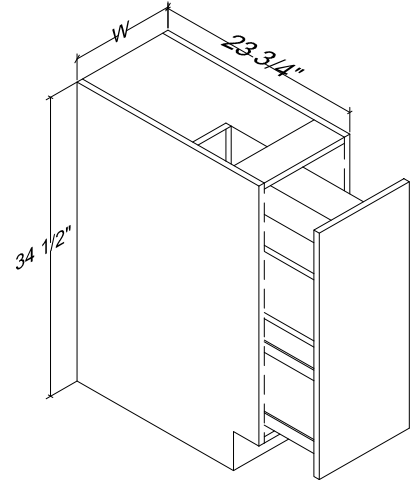
48" W	Frameless BLB48
-------	-----------------



# Frameless - Base Cabinets

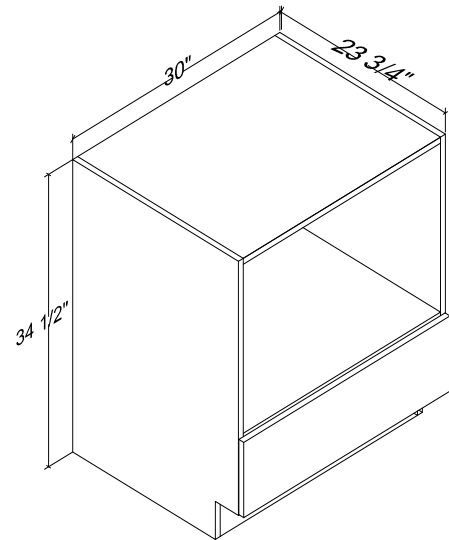
## Spice Rack SKU

9" W	Frameless BSR09
12" W	Frameless BSR12
15" W	Frameless BSR15



## Microwave SKU

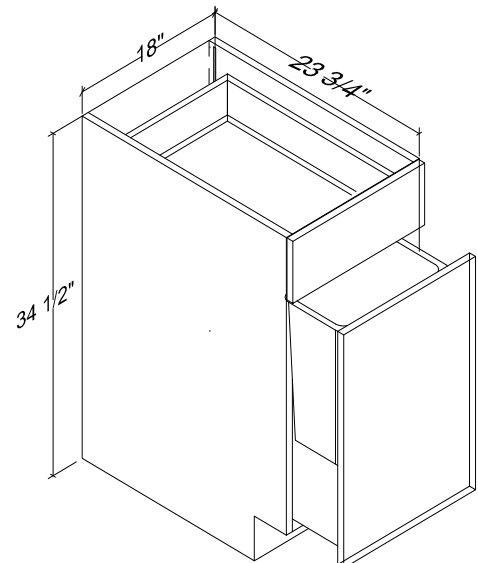
30" W	Frameless BMO30
-------	-----------------



## Trash Can SKU

18" W	Frameless BWB18
-------	-----------------

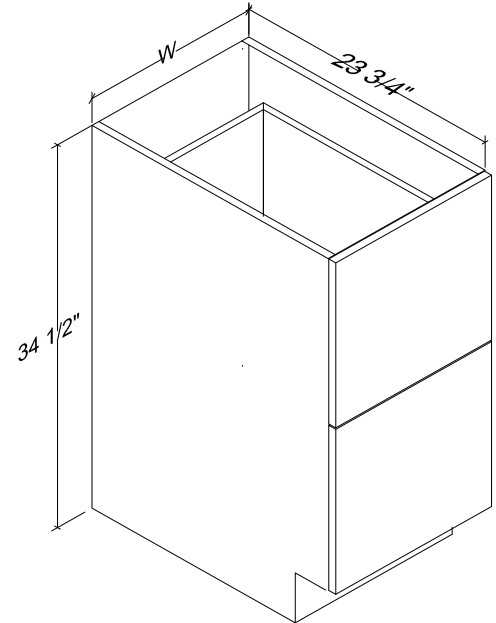
**Includes two white 35 qt waste bins.**



# Frameless - Base Drawer Cabinets

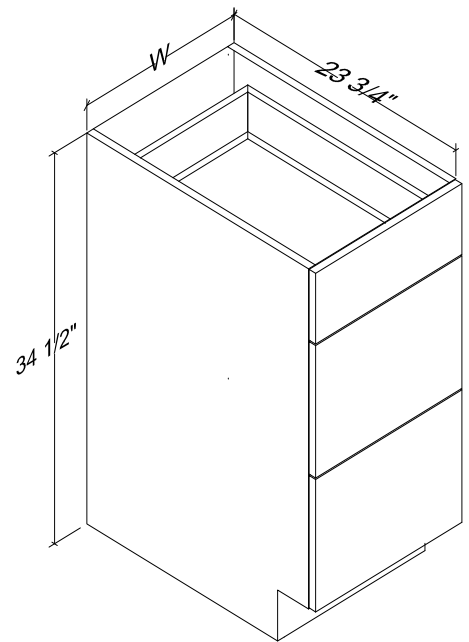
## 2 Drawer SKU

30" W	Frameless 2DB30
33" W	Frameless 2DB33
36" W	Frameless 2DB36



## 3 Drawer SKU

12" W	Frameless 3DB12
15" W	Frameless 3DB15
18" W	Frameless 3DB18
21" W	Frameless 3DB21
24" W	Frameless 3DB24
27" W	Frameless 3DB27
30" W	Frameless 3DB30
33" W	Frameless 3DB33
36" W	Frameless 3DB36



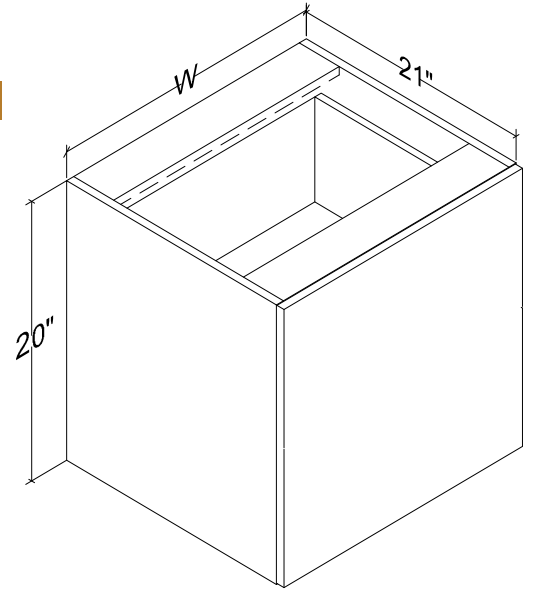


# Frameless - Vanity Cabinets

## Floating Vanity

## SKU

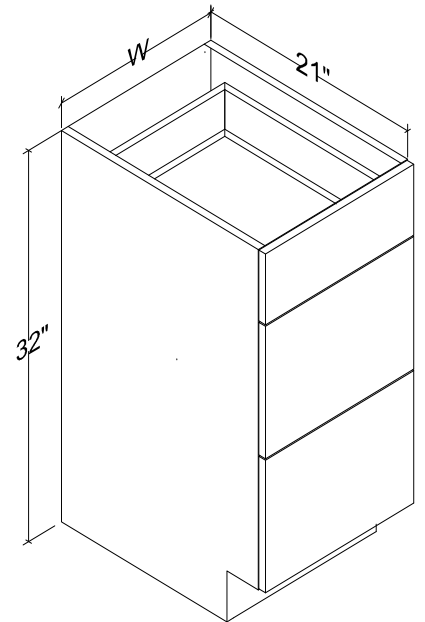
12" W	Frameless VHB12
15" W	Frameless VHB15
18" W	Frameless VHB18



## Vanity Drawer

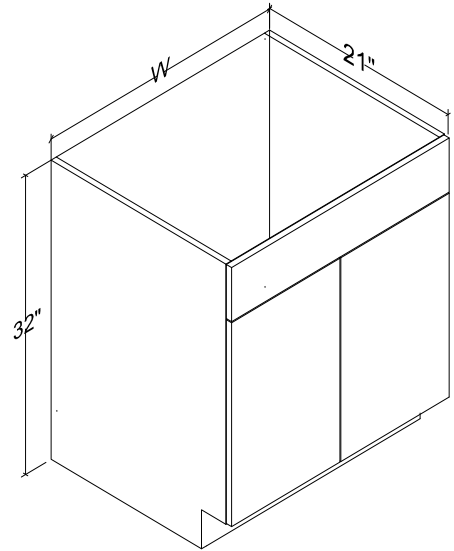
## SKU

12" W	Frameless VDB12
15" W	Frameless VDB15
18" W	Frameless VDB18

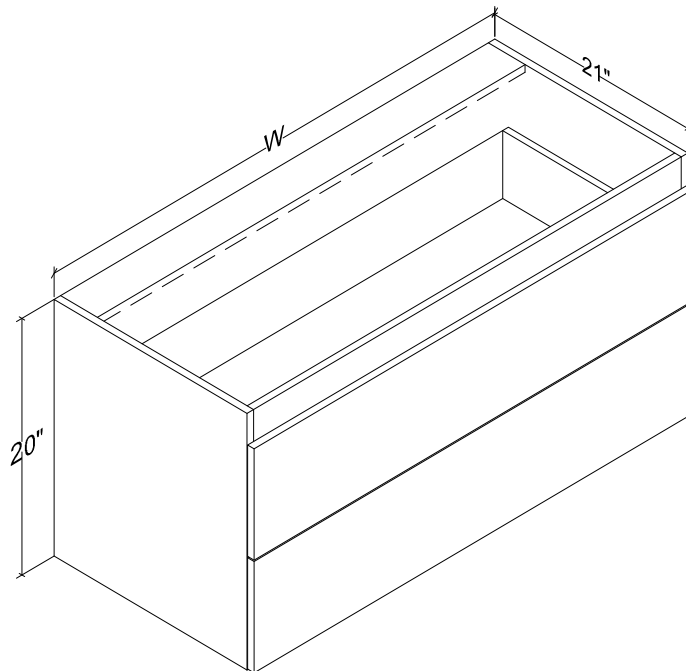


# Frameless - Vanity Sink Base Cabinets

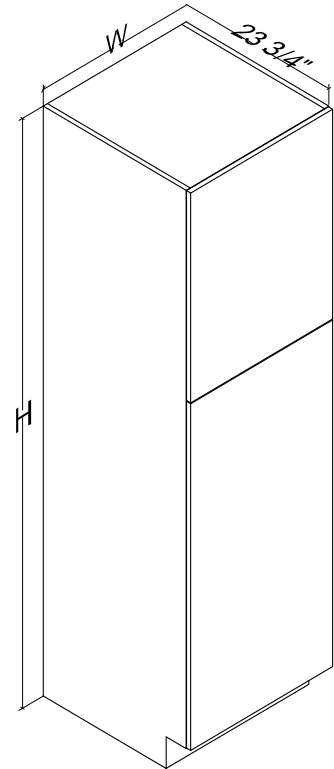
Vanity Sink Base	SKU	A	B
24" W	Frameless VSB24	619	659
30" W	Frameless VSB30	728	778
36" W	Frameless VSB36	842	902



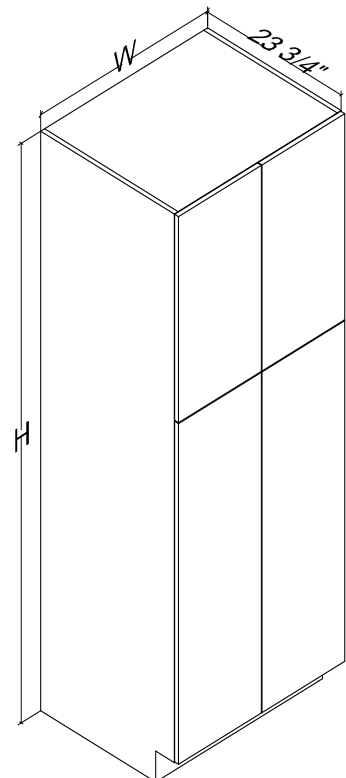
Floating Vanity Sink Base	SKU
24" W	Frameless VHDSB24
30" W	Frameless VHDSB30
36" W	Frameless VHDSB36



# Frameless - Tall Pantry



**Single Door = 15" W and 18" H**



**Double Door = 24" W and 30" H**

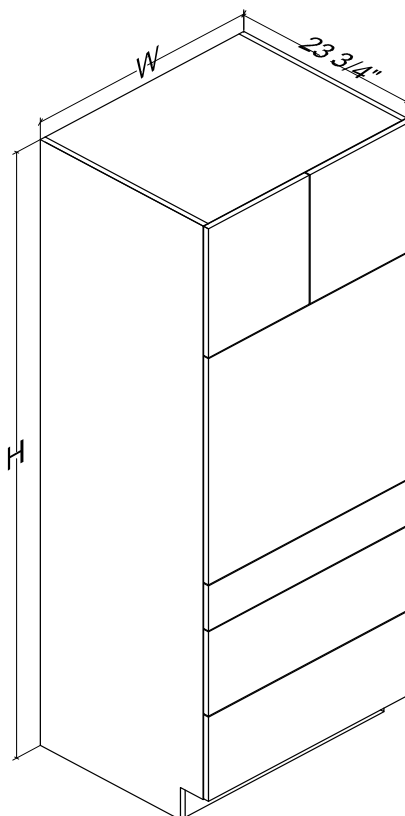
Tall Pantry	SKU
15" W x 84" H	Frameless TP158424
15" W x 90" H	Frameless TP159024
15" W x 96" H	Frameless TP159624
18" W x 84" H	Frameless TP188424
18" W x 90" H	Frameless TP189024
18" W x 96" H	Frameless TP189624
24" W x 84" H	Frameless TP248424
24" W x 90" H	Frameless TP249024
24" W x 96" H	Frameless TP249624
30" W x 84" H	Frameless TP308424
30" W x 90" H	Frameless TP309024
30" W x 96" H	Frameless TP309624

**Shelving:**

- **84" & 90" H pantry**
  - **Top = 1**
  - **Bottom = 3**
- **96" H pantry**
  - **Top = 2**
  - **Bottom = 3**

# Frameless - Oven Cabinets

Oven	SKU
30" W x 84" H	Frameless OC308424
30" W x 90" H	Frameless OC309024
30" W x 96" H	Frameless OC309624
33" W x 84" H	Frameless OC338424-3
33" W x 90" H	Frameless OC339024-3
33" W x 96" H	Frameless OC339624-3



# Frameless - Panels

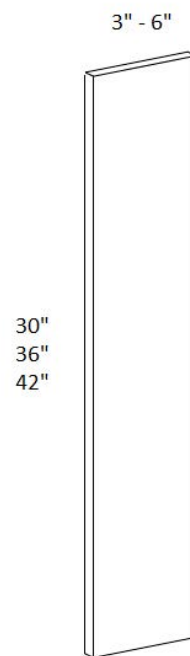
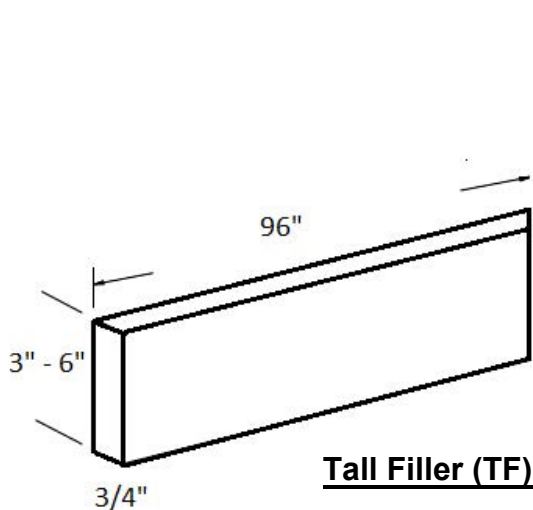
Panels	SKU
Refrigerator End Panel (96" H with 1.5" W filler)	Frameless REP1.596
Refrigerator End Panel (96" H with 3" W filler)	Frameless REP396
Dishwasher End Panel (34.5" H with 3" filler)	Frameless BEP3
Base End Panel (24 5/8" W x 34.5" H x 3/4" thick)	Frameless PBE
Vanity End Panel (21 7/8" W x 32" H x 3/4" thick)	Frameless PVE
Floating Vanity End Panel (21 7/8" W x 20" H x 3/4" thick)	Frameless PFVE
Tall End Panel (24 5/8" W x 84" H x 3/4" thick)	Frameless PTE84
Tall End Panel (24 5/8" W x 90" H x 3/4" thick)	Frameless PTE90
Tall End Panel (24 5/8" W x 96" H x 3/4" thick)	Frameless PTE96
Wall End Panel (12 7/8" W x 12" H x 3/4" thick)	Frameless PWE12
Wall End Panel (12 7/8" W x 15" H x 3/4" thick)	Frameless PWE15
Wall End Panel (12 7/8" W x 18" H x 3/4" thick)	Frameless PWE18
Wall End Panel (12 7/8" W x 21" H x 3/4" thick)	Frameless PWE21
Wall End Panel (12 7/8" W x 24" H x 3/4" thick)	Frameless PWE24
Wall End Panel (12 7/8" W x 27" H x 3/4" thick)	Frameless PWE27
Wall End Panel (12 7/8" W x 30" H x 3/4" thick)	Frameless PWE30
Wall End Panel (12 7/8" W x 33" H x 3/4" thick)	Frameless PWE33
Wall End Panel (12 7/8" W x 36" H x 3/4" thick)	Frameless PWE36
Wall End Panel (12 7/8" W x 42" H x 3/4" thick)	Frameless PWE42
Custom Panel (3/4" thick)	Frameless CTS

# Frameless - Moldings & Fillers

Moldings	SKU
Toe Kick 94" H	MTK94

Fillers	SKU
Tall Filler (3" W x 96" H x 3/4" thick)	Frameless TF396
Tall Filler (6" W x 96" H x 3/4" thick)	Frameless TF696
Wall Filler (3" W x 30" H)	Frameless WF330*
Wall Filler (3" W x 36" H)	Frameless WF336
Wall Filler (3" W x 42" H)	Frameless WF342
Wall Filler (6" W x 30" H)	Frameless WF630*
Wall Filler (6" W x 36" H)	Frameless WF636
Wall Filler (6" W x 42" H)	Frameless WF642

**\*WF330 and WF630 can also be used as base fillers.\***

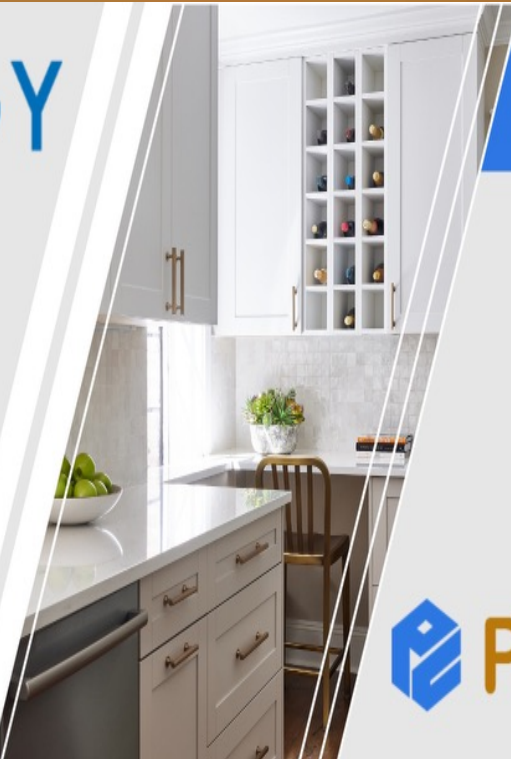




**PRODIGY**  
CABINETRY

**SEMI-CUSTOM & MADE IN USA  
CABINETRY**

 **864.558.9538**



 **864.558.8034**

**IN STOCK, LOW PRICE  
IMPORT CABINETS**



**Premium Choice**  
CABINETRY



South Carolina, US  
2723C White Horse Rd  
Greenville, SC 29611  
(864)-558-9538  
csr@prodigycabinetry.com  
www.prodigycabinetry.com

South Carolina, US  
7112 Augusta Rd  
Piedmont, SC 29673  
(864)-558-8034  
sales@premiumchoicecabinetry.com  
www.premiumchoicecabinetry.com